

# AR18GL SERIES LED LUMINAIRE

U.11.15.18

AR18GL Series  
LED

## DESCRIPTION:

Lighting for exterior retail, commercial and hospitality environments. The AR18GL Series consists of an efficient Type III (T3) or Type V (T5) refractive borosilicate glass acorn combined with one of several styles of cast aluminum fitters. Powered by Amerlux's patented AVISTA® LED system with options for intensity, distribution and color.

## INSTALLATION:

The luminaire will mount to a 3" OD post or tenon with 5/16" black oxide coated stainless steel set screws to ensure a solid connection. The diffuser will be held to the fitter by (4) 5/16"-18 black oxide coated stainless steel captive set screws.

## ELECTRICAL:

- Over voltage and short circuit protected driver
- Series connected 10kV/20kA surge protector
- Automatic AC incoming voltage sensing (120-277v)
- Over voltage and short circuit protection
- 0-10v dimming

## LED Board Drive Current:

- 500ma (**500M**)
- 700ma (**700M**)
- 1200ma (**1200M**)

ETL listed, suitable for wet locations.

## CCT:

- 2,700K (**27**)
- 3,000K (**30**)
- 4,000K (**40**)

## DIFFUSER CHOICES:

- Type III (**T3**)
- Type V (**T5**)

## FINISH:

Durable thermoset polyester powdercoat finish in the following:

- Satin Black (**BLK**)
- Classic Bronze (**CLB**)
- Gloss Textured Bronze (**GBZ**)
- Green (**GRN**)
- Gloss Textured Black (**GTB**)
- Textured Black (**TBK**)
- Gloss Textured Green (**TGR**)

## L70:

50,000+

## ACCESSORIES:

- Cast aluminum Finial (**CFIN**)
- Finial (**FIN-760**)
- Dusk-to-dawn button type photocell (**PCL**)
- Controls Capable Harness (**CCH**)
- Decorative Ring (**R**)
- Solid Roof (**SR**)

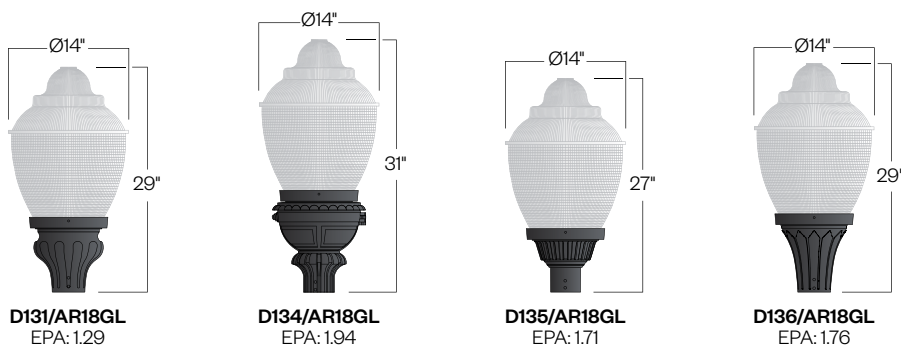


PROJECT:

LOCATION:

FIXTURE TYPE:

NOTES:



Electrostatic sensitive device.  
observe precautions for handling

**5** year limited  
warranty  
AMERLUX LED



## Ordering Information



Add additional accessories as needed.

**1**Model

**D131/AR18GL**  
**D134/AR18GL**  
**D135/AR18GL**  
**D136/AR18GL**

**2**Lens Distribution

**T3** - Type 3  
**T5** - Type 5

**3**LED System

**AVI2-SY** - Symmetric Distribution

**4**CCT

**27** - 2,700K  
**30** - 3,000K  
**40** - 4,000K

**5**Drive Current

**500M** - 500mA  
**700M** - 700mA  
**1200M** - 1200mA

**6**Finish

**BLK** - Satin Black  
**CLB** - Classic Bronze  
**GBZ** - Gloss Textured Bronze  
**GRN** - Green  
**GTB** - Gloss Textured Black  
**TBK** - Textured Black  
**TGR** - Gloss Textured Green  
**CSTM** - Custom

**7**Accessories

**CFIN** - Cast Aluminum Finial  
**FIN-760** - Cast Aluminum Finial  
**HSS-90** - 90° House Side Shield  
**HSS-180** - 180° House Side Shield  
**PCL** - Dusk-to-dawn button type photocell  
**SR** - Solid Roof  
**R** - Decorative Ring

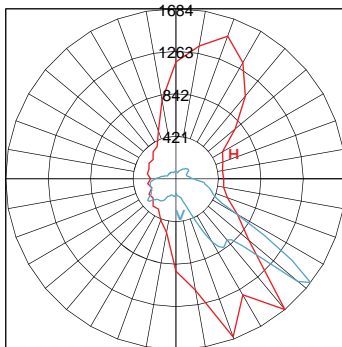
## Engine Only Performance (bold indicates ordering code)

LED System	Driver Output	System Watts	CCT	Engine Only Lumens	Engine Only LPW
AVI2-SY	<b>500M</b> (500mA)	27W	27 (2,700K)	3,030 lm	112
			<b>30</b> (3,000K)	3,120 lm	116
			<b>40</b> (4,000K)	3,420 lm	126
	<b>700M</b> (700mA)	38W	27 (2,700K)	4,120 lm	109
			<b>30</b> (3,000K)	4,240 lm	112
			<b>40</b> (4,000K)	4,640 lm	123
	<b>1200M</b> (1200mA)	68W	27 (2,700K)	6,110 lm	90
			<b>30</b> (3,000K)	7,260 lm	107
			<b>40</b> (4,000K)	7,530 lm	111

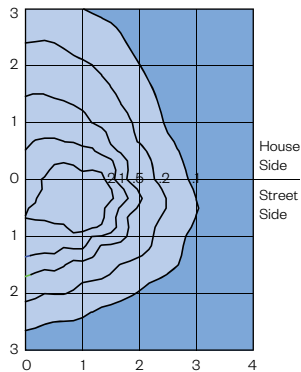
Example: D138/AO28/T3/AVI2-SY-700M-27/BLK

## Photometry

AR18GL-T3-AVI2-SY-40-700M

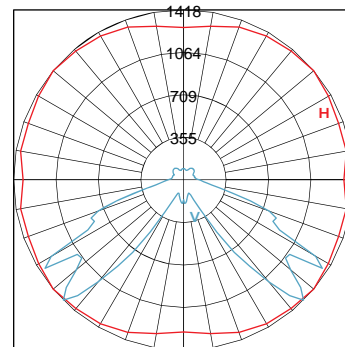


Maximum Candela = 1684  
 Located At Horizontal Angle = 310, Vertical Angle = 52.5  
 Vertical Plane Through Horizontal Angles (310 - 130) (Through Max. Cd.)  
 Horizontal Cone Through Vertical Angle (52.5) (Through Max. Cd.)

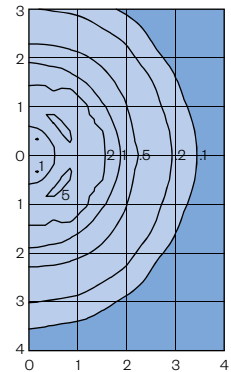


Distance In Units Of Mounting Height  
 Values Based On 10 Foot Mounting Height

AR18GL-T5-AVI2-SY-40-1200M



Maximum Candela = 1418  
 Located At Horizontal Angle = 40, Vertical Angle = 45  
 Vertical Plane Through Horizontal Angles (40 - 220) (Through Max. Cd.)  
 Horizontal Cone Through Vertical Angle (45) (Through Max. Cd.)



Distance In Units Of Mounting Height  
 Values Based On 10 Foot Mounting Height

## Accessories

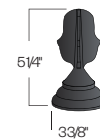


Shown with decorative ring and finial  
**(D138/AR18GL/R/FIN-760)**



Shown with solid roof and finial  
**D138/AR18GL/SR/CFIN**

## Finial Styles



CFIN  
 (Cast aluminum)



FIN-760  
 Cast aluminum finial