

AR18GL SERIES LED UTILITY LUMINAIRE

U.10.17.18

AR18GL Series
LED UTILITY

DESCRIPTION:

The AR18GL Utility Series consists of an efficient Type III (T3) or Type V (T5) refractive borosilicate glass acorn combined with one of several styles of cast aluminum fitters. Powered by Amerlux's patented AVISTA® LED system with options for intensity, distribution and color.

INSTALLATION:

The luminaire will mount to a 3" OD post or tenon with 5/16" black oxide coated stainless steel set screws to ensure a solid connection. The diffuser will be held to the fitter by (4) 1/4-20" black oxide coated stainless steel captive set screws.

ELECTRICAL:

- Over voltage and short circuit protected driver
- Series connected 10kV/20kA surge protector
- Automatic AC incoming voltage sensing (120-277v)
- Over voltage and short circuit protection
- 0-10v dimming

LED BOARD DRIVE CURRENT:

- 500ma (**500M**)
- 700ma (**700M**)
- 1200ma (**1200M**)

ETL listed, suitable for wet locations.

CCT:

- 2,700K (**27**)
- 3,000K (**30**)
- 4,000K (**40**)

DIFFUSER CHOICES:

- Type III (**T3**)
- Type V (**T5**)

L70:

50,000+

FINISH:

Durable thermoset polyester powdercoat finish in the following:

- Satin Black (**BLK**)
- Classic Bronze (**CLB**)
- Gloss Textured Bronze (**GBZ**)
- Green (**GRN**)
- Gloss Textured Black (**GTB**)
- Textured Black (**TBK**)
- Gloss Textured Green (**TGR**)

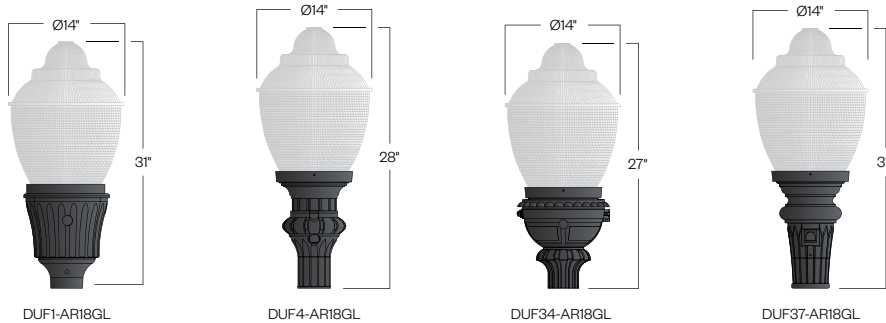
ACCESSORIES:

- Cast aluminum Finial (**CFIN**)
- Finial (**FIN-08**)
- Finial (**FIN-760**)
- Twistlock Photocell (**TW-PCL**)
- 7 pin integrated receptacle (**7IR**)
- Controls Capable Harness (**CCH**)
- Decorative Ring (**R**)
- Solid Roof (**SR**)



PROJECT:

TYPE:



Ordering Information:

Model	Lens Distribution	LED System	CCT	Driver Output	Finish	Accessory
DUF1-AR18GL DUF4-AR18GL DUF34-AR18GL DUF37-AR18GL	T3 T5	AVI2-SY	27 30 40	500M 700M 1200M	BLK CLB GBZ GRN GTB TBK TGR Custom	CFIN FIN-08 FIN-760 TW-PCL 7IR CCH R SR

See next page for light engine performance



Electrostatic sensitive device.
observe precautions for handling

5 year limited
warranty
AMERLUX LED



Part String

Example: DUF1-AR18GL/T5/AVI-SY-3H/BLK

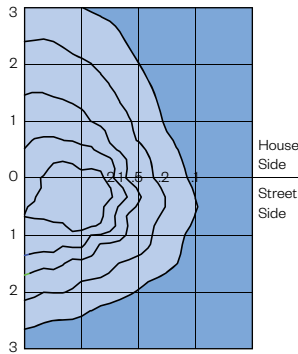
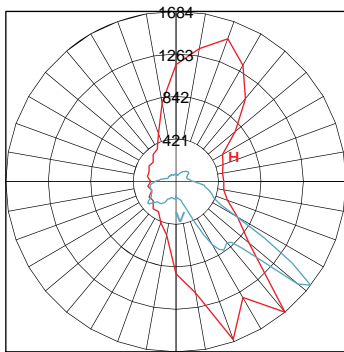
LED Options (**bold** indicates ordering code)

LED System	Driver Output	System Watts	CCT	Engine Only Lumens	Engine Only LPW
AVI2-SY	500M (500mA)	27W	27 (2,700K)	3,030 lm	112
			30 (3,000K)	3,120 lm	116
			40 (4,000K)	3,420 lm	126
	700M (700mA)	38W	27 (2,700K)	4,120 lm	109
			30 (3,000K)	4,240 lm	112
			40 (4,000K)	4,640 lm	123
	1200M (1200mA)	68W	27 (2,700K)	6,110 lm	90
			30 (3,000K)	7,260 lm	107
			40 (4,000K)	7,530 lm	111

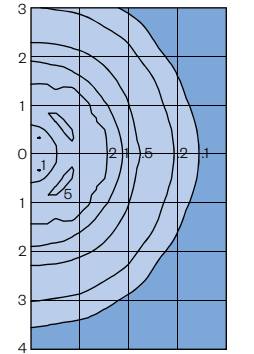
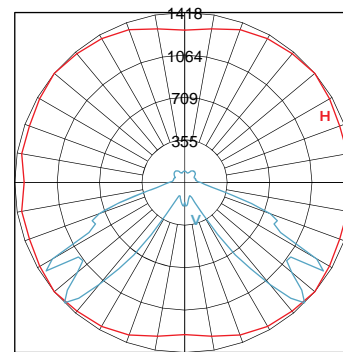
Example: D138/AO28/T3/AVI2-SY-700M-27/BLK

Photometry

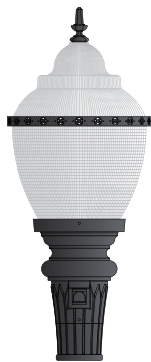
AR18GL-T3-AVI2-SY-40-700M



AR18GL-T5-AVI2-SY-40-1200M



Accessories



Shown with decorative ring and finial
(D138/AR18GL/R/FIN-08)



Shown with solid roof and finial
D138/AR18GL/SR/CFIN

Finial Styles

