

Austin Series

U.1.11.16



Features:

11" diameter two piece cast aluminum decorative base

Choice of extruded shafts (.125 wall)

- 4" to 3" tapered
- 4" OD fluted (12 flutes)
- 4" OD smooth round

Extruded shaft is circumferentially welded to the structural base

Access door for anchor bolts and wiring is secured with stainless steel screws

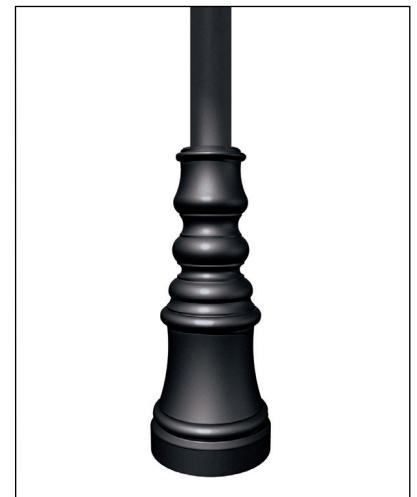
Ground lug provided inside base

Materials:

Base - Cast aluminum (356)
 Shaft - Extruded Aluminum (6063-T6)
 - Tapered Aluminum (6063-T6)
 Anchor Bolts - Hot dipped galvanized steel

Finish:

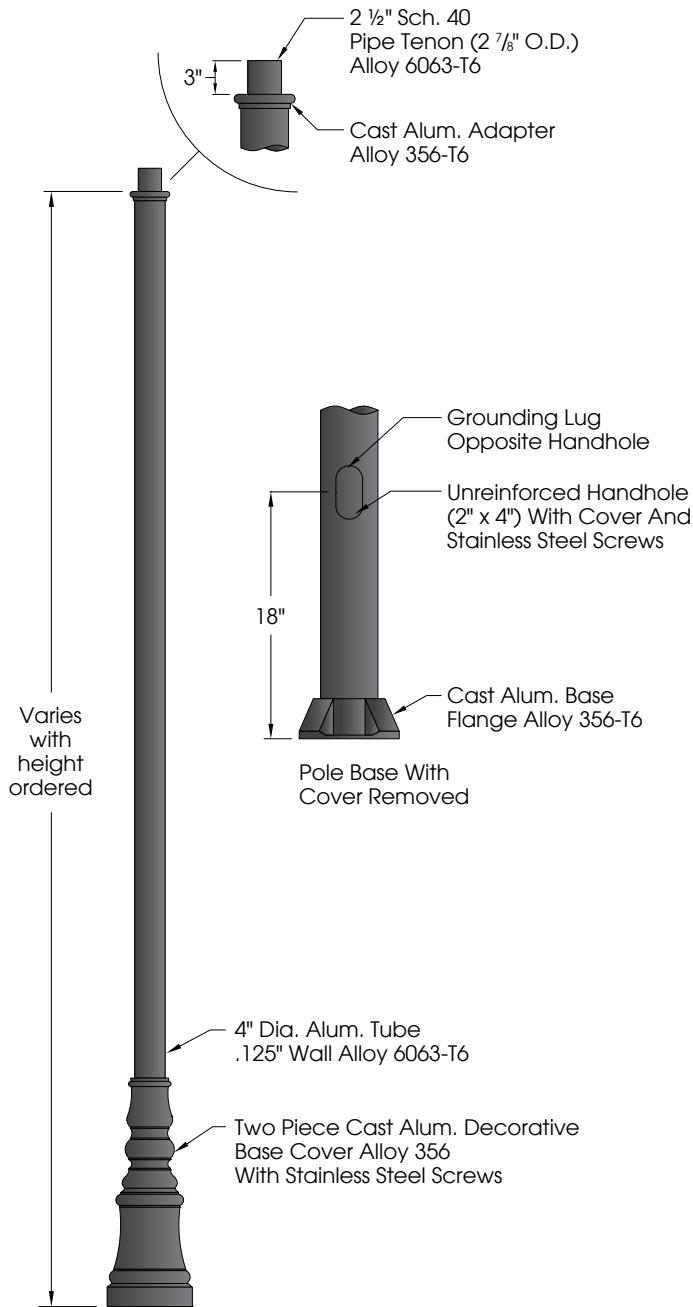
Premium quality thermoset polyester powdercoat for a durable finish.



Part String

Example: AP2602-08/BLK

AP2602	AP2603	AP2604	Overall Height	Finish	Accessories
AP2602-08	AP2603-08	AP2604-08	8'-0"	BLK CLB GBZ GRN GTB TBK TGR	BA18 BA24 FPH-4 FPH-5 GFCI
AP2602-10	AP2603-10	AP2604-10	10'-0"		
AP2602-12	AP2603-12	AP2604-12	12'-0"		
AP2602-14	AP2603-14	AP2604-14	14'-0"		
AP2602-16	AP2603-16	AP2604-16	16'-0"		



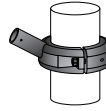
Finish
 The post will be finished with an electrostatically applied thermoset polyester powder coat. Prior to finishing, the parts are thoroughly cleaned. Our powder coat finish is durable, long lasting, attractive and scratch resistant as well as environmentally friendly. We offer 7 stock finishes or hundreds of special order colors including custom matching for existing projects (additional charges apply).

- BLK** - Satin Black
- CLB** - Classic Bronze
- GBZ** - Gloss Textured Bronze
- GRN** - Green
- GTB** - Gloss Textured Black
- TBK** - Textured Black
- TGR** - Gloss Textured Green

Accessories

See "Accessories" section for more information

Banner Arms
 Single or double sided field rotatable banner arms.
BA18 (18") or **BA24** (24") banner arms
FRC4 (4"OD shaft) or **FRC5** (5"OD shaft)
 Add a (2) for a double arm. Example: **2BA18-FRC4**

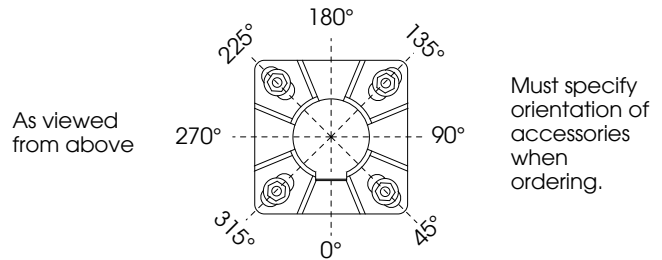


FPH-4
 Extruded aluminum holder for 1" OD flag poles. Available for 4" OD non-tapered pole.

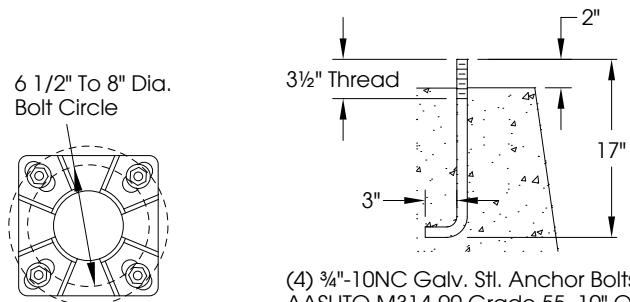


GFCI
 Ground fault circuit protected duplex outlet. Available Recess mounted (GFCI-RM) as shown or surface mount (GFCI-SM).

Accessory Orientation Guide



Anchor Details



- (4) 3/4"-10NC Galv. Stl. Anchor Bolts, AASHTO M314-90 Grade 55, 10" Of Threaded End Galv. Per ASTM A153.
- (4) 3/4"-10NC Galv. Stl. Hex. Nuts
- (4) 3/4" Galv. Stl. Lockwashers
- (4) 3/4" Galv. Stl. Flatwashers

Anchor bolts and templates can be requested prior to product shipment.