

AVISTA

Multi-fit LED Light Engine

U.11.3.16

APPLICATION:

LED Light engine for use in post top mount area and pedestrian environments. Designed for new fixtures or existing as a retrofit.

INSTALLATION:

Height adjustable Light Engine - Can be field set to optimal performance. Seperate driver and light engine allows for installation into many existing luminaires.

ELECTRICAL:

- Automatic AC incoming voltage sensing 120-277
- Over voltage and short circuit protection
- 10kv surge protection device included

CONSTRUCTION:

- Anodized Aluminum Heat Sink
- Sealed optical system
- Die cast mounting sleeve
- Anodized adjustable riser pipe

DISTRIBUTION:

- SY** - Symmetric
- AS** - Asymmetric
- SO** - Street Optic

DRIVER OUTPUT:

700ma (L) / 1000ma (H)

EFFICACY:

Up to 100 lumens/watt from the light engine

NOMINAL INPUT POWER:

41W, 60W

CCT:

4000K

LIFE:

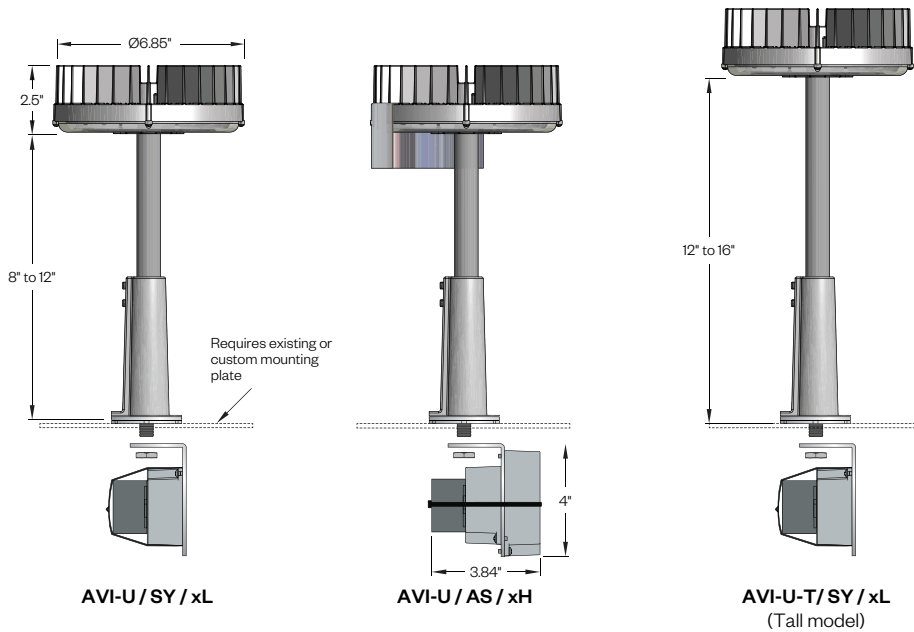
50,000+ hours

AVI-U LED Retrofit



PROJECT:

TYPE:



Ordering Information

Model	Light Distribution	Code	CCT	CRI	Approx. Lumens Delivered	Nominal Input Power
AVI-U AVI-U-T	SY (Symmetric)	4H	4,000K	80	5,100 lm	60W
	AS (Asymmetric)	4H	4,000K	80	5,050 lm	
	SO (Street Optic)	4H	4,000K	80	4,990 lm	
	SY	4L	4,000K	80	3,460 lm	41W
	AS	4L	4,000K	80	3,420 lm	
	SO	4L	4,000K	80	3,350 lm	

Ordering options in **BOLD**



Electrostatic sensitive device.
observe precautions for handling

5 year limited
warranty
AMERLUX LED



Part String

Example: AVI-U/SY/3H

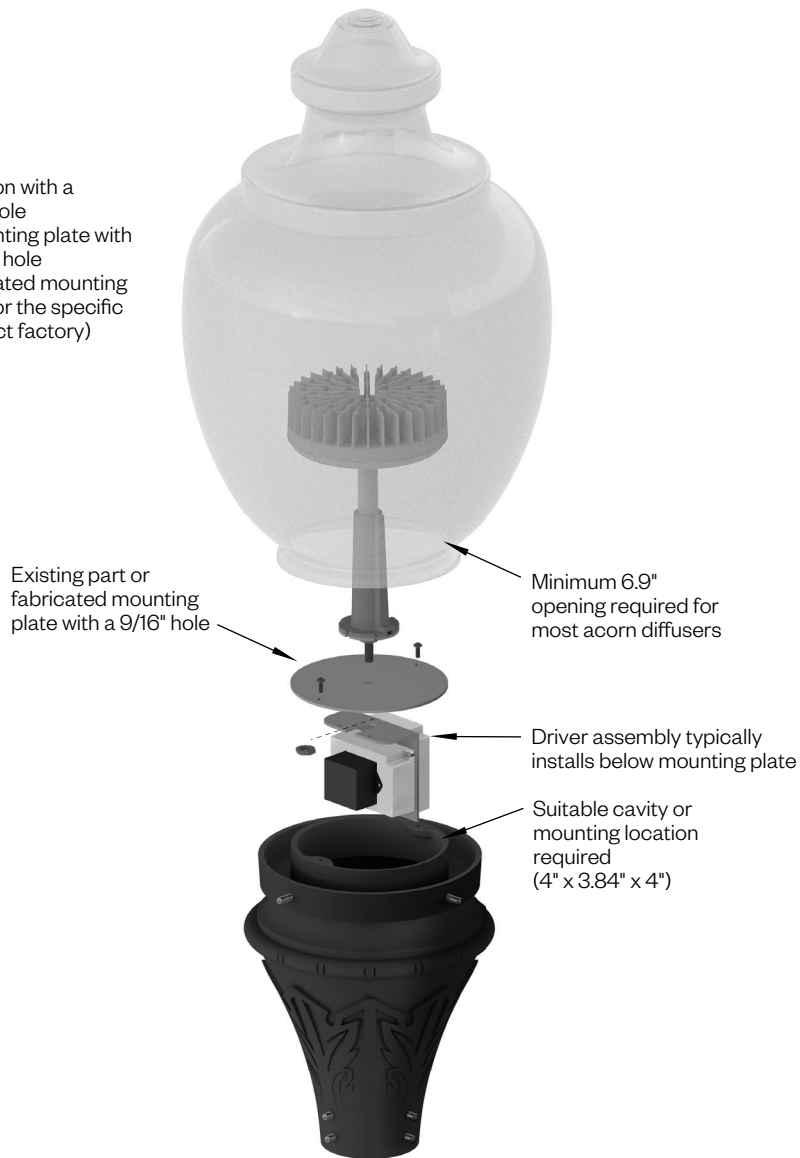
AVISTA

Multi-fit LED Light Engine

Typical Mounting

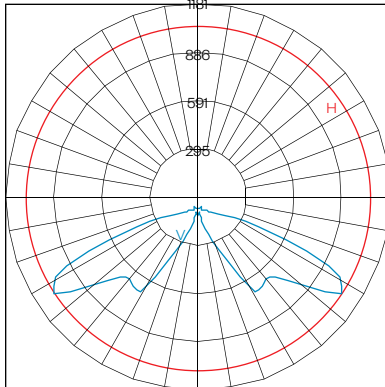
Will mount to:

- A suitable location with a minimum 9/16" hole
- An existing mounting plate with a minimum 9/16" hole
- A custom fabricated mounting plate designed for the specific luminaire (contact factory)



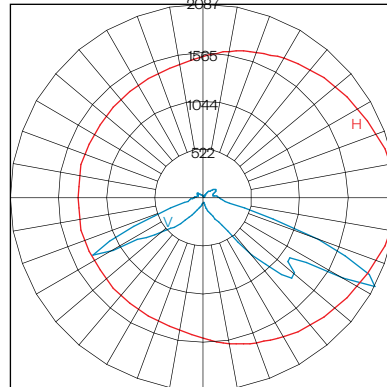
Photometry

SY POLAR GRAPH



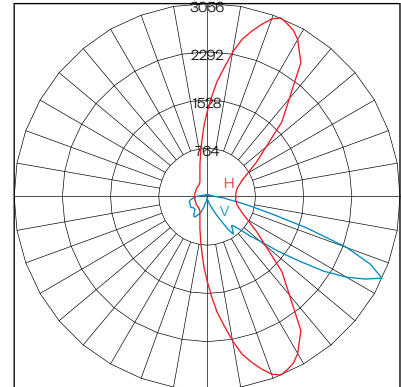
Maximum Candela=1181 Located At Horizontal Angle=0, Vertical Angle=60
 V - Vertical Plane Through Horizontal Angles (0 - 180) (Through Max. Cd.)
 H - Horizontal Cone Through Vertical Angle (60) (Through Max. Cd.)

AS POLAR GRAPH



Maximum Candela=2087 Located At Horizontal Angle=5, Vertical Angle=62.5
 V - Vertical Plane Through Horizontal Angles (5 - 185) (Through Max. Cd.)
 H - Horizontal Cone Through Vertical Angle (62.5) (Through Max. Cd.)

SO POLAR GRAPH



Maximum Candela=3066 Located At Horizontal Angle=67.5, Vertical Angle=65
 V - Vertical Plane Through Horizontal Angles (67.5 - 247.5) (Through Max. Cd.)
 H - Horizontal Cone Through Vertical Angle (65) (Through Max. Cd.)