

AVISTA

LED Light Engine

U.6.24.16

APPLICATION:

LED Light engine for use in post top mount area and pedestrian environments. Designed for new fixtures or existing as a retrofit.

INSTALLATION:

Height adjustable light engine can be field adjusted to optimal performance. LED retrofit kit mounts to many existing luminaires.

ELECTRICAL:

- Automatic AC incoming voltage sensing 120–277
- Over voltage and short circuit protection
- 10kv surge protector

CONSTRUCTION:

- Anodized Aluminum Heat Sink
- IP66 Rated
- Cast aluminum fitter plate provided
- Sealed LED chamber and optics

DISTRIBUTION:

- SY** - Symmetric
- AS** - Asymmetric
- SO** - Street Optic

EFFICACY:

Up to 100 lumens/ watt

NOMINAL INPUT POWER:

41W, 60W

CCT:

4,000K

LIFE:

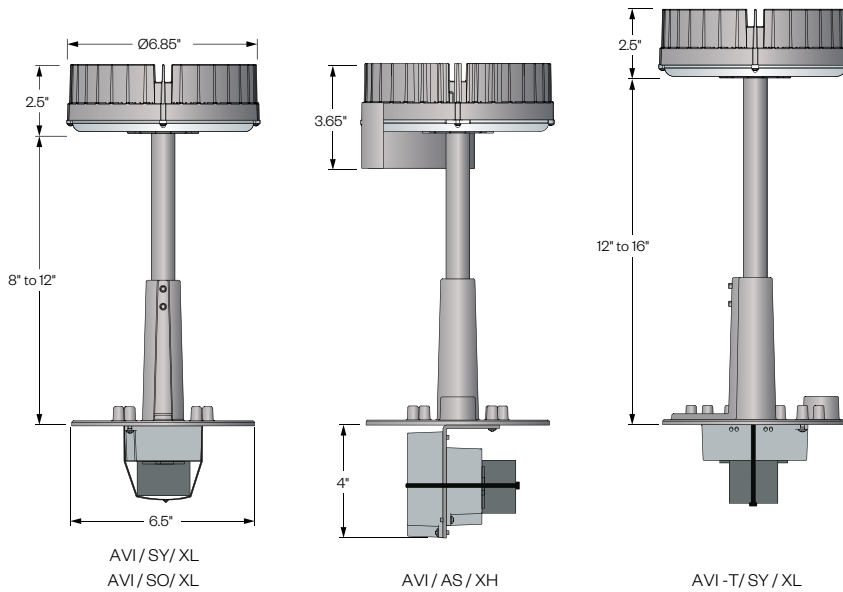
50,000+ hours

AVI
LED



PROJECT:

TYPE:



Ordering Information

Model	Light Distribution	Code	CCT	CRI	Approx. Lumens Delivered	Nominal Input Power
AVI AVI-T	SY (Symmetric)	4H	4,000K	80	5,100 lm	60W
	AS (Asymmetric)	4H	4,000K	80	5,050 lm	
	SO (Street Optic)	4H	4,000K	80	4,990 lm	
	SY	4L	4,000K	80	3,460 lm	41W
	AS	4L	4,000K	80	3,420 lm	
	SO	4L	4,000K	80	3,350 lm	



5 year limited warranty
AMERLUX LED



Part String

Example: AVI/SY/3H