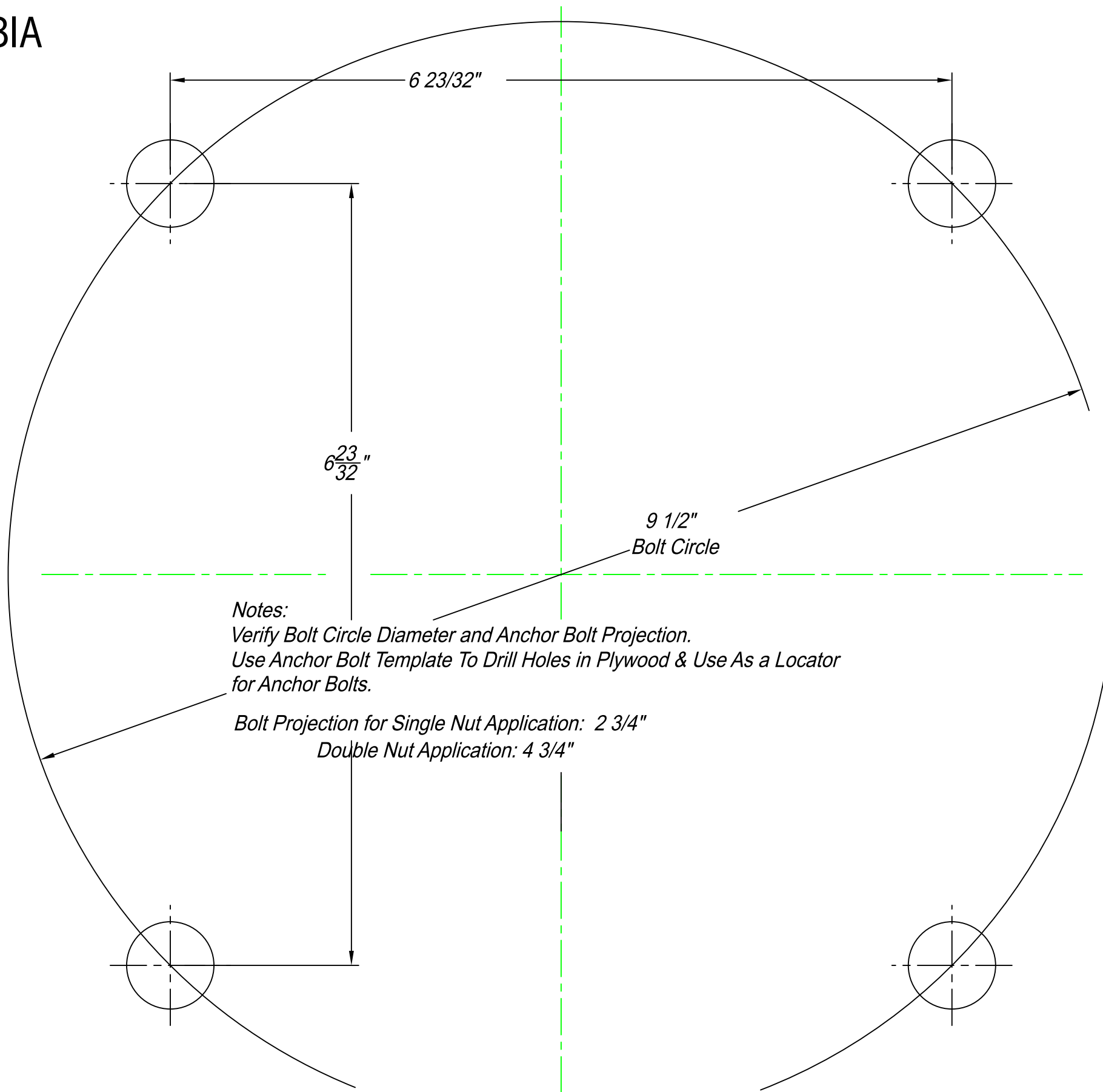


COLUMBIA
 AP7202
 AP7203
 AP7204

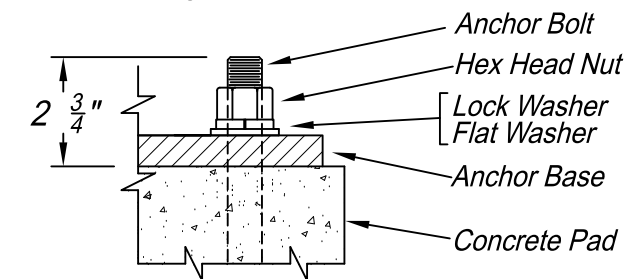


Notes:
 Verify Bolt Circle Diameter and Anchor Bolt Projection.
 Use Anchor Bolt Template To Drill Holes in Plywood & Use As a Locator
 for Anchor Bolts.

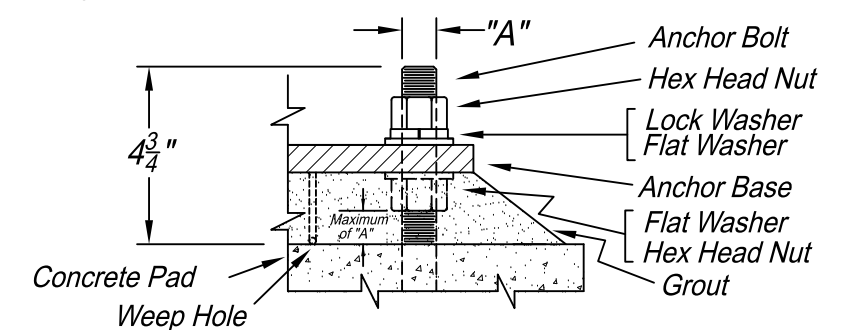
Bolt Projection for Single Nut Application: 2 3/4"
 Double Nut Application: 4 3/4"

PLEASE VERIFY MEASUREMENTS AFTER PRINTING.

Bolt Projection for Single Nut Application: 2 3/4"



Bolt Projection for Double Nut Application: 4 3/4"



(Ref. Hapco Dwg A13902)

Note:
 Maximum Dimension Between Bottom of Leveling Nut
 and Top of Concrete Pad Is One Anchor Bolt Dia.