

# COACH STYLE LANTERN

## ARM - MOUNT

U.3.5.18

### DESCRIPTION:

The **CSL-A** luminaire is a classically styled cast aluminum four sided lantern that offers a choice of several optical systems.

### CONSTRUCTION:

Die-cast aluminum housing ensures rigidity and longevity in application. The rooftop casting is hinged to the cage and utilizes tool-less hardware for ease of installation and maintenance.

### OPTICAL MODULE:

The luminaire utilizes up to four IP66 sealed optical modules consisting of a high performance LED board with an acrylic (TIR) lens to deliver maximum spacing and uniformity. A choice of Type 2 (**T2**), Type 3 (**T3**), Type 4 (**T4**), or Type 5 (**T5**), IES distributions are available with the scalability to meet application criteria. Custom configurations available.

### ELECTRICAL:

- 12 LEDs per module
- LED Board Drive Current 530ma
- Automatic AC incoming voltage sensing (120-277v)
- Operational Temp: -40°C/40°C
- Power consumption up to 79W
- Series wired 20kV/10kA surge protector (Per ANSI C82.77-5-2015)
- 0-10v dimming is standard
- A **347v/480v** option is available
- DLC listed

### PHOTO CONTROL:

- A 3-pin twistlock photocell receptacle is standard.
- An optional rotatable 7-pin (**7P**) twistlock photocell receptacle is available.
- The 3-pin Twistlock photocell is an accessory and must be specified (**TW-PCL**).

### FINISH:

- Durable thermoset polyester powdercoat finish in the following:
  - Fine Textured Satin Black (**TBK**)
  - Classic Bronze (**CLB**)
  - Gloss Textured Bronze (**GBZ**)
  - Gloss Textured Black (**GTB**)

### MOUNTING:

Luminaire mounts to decorative scroll arm (supplied by others). The arm secures to the roof with four bolts, which are supplied with the luminaire.

### LIGHT DISTRIBUTION:

- Type II (**T2**)
- Type III (**T3**)
- Type IV (**T4**)
- Type V (**T5**)

### CCT:

- 3,000K (**3K**)
- 4,000K (**4K**)

### OPTIONAL LENS:

- Textured Acrylic (**TA**)

**EPA:** 2.00

**Approx. Luminaire Wt:** 16lb (7.2kg)

**Approx. Shipping Wt:** 22b (9.9kg)

**CSL-A**  
LED



ORDERING #

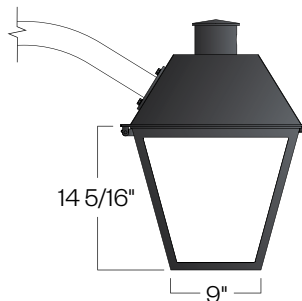
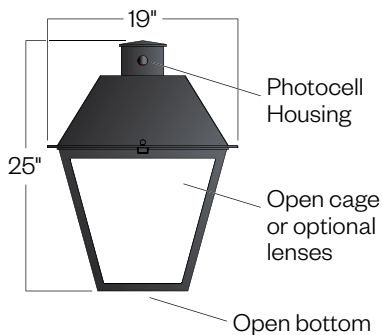
PROJECT:

TYPE:

DATE:

PREPARED BY:

COMMENTS:



### Ordering Information:

Model	LED Modules	CCT	Light Distribution	Voltage	Photocell Receptacle	Finish	Optional Lens	Accessory
CSL-A	<b>1M</b>	<b>3K</b> <b>4K</b>	<b>T2</b>	120-277v (Standard) <b>347v/480v</b>	3-pin (Standard) <b>7P (7-pin)</b>	<b>TBK</b> <b>CLB</b> <b>GBZ</b> <b>GTB</b> Custom	<b>TA</b>	<b>TW-PCL</b>
	<b>2M</b>		<b>T3</b>					
	<b>3M</b>		<b>T4</b>					
	<b>4M</b>		<b>T5</b>					

Ordering options shown as **BOLD**. Example: **CSL-A/4M/4K/T5/BLK/TW-PCL** See next page for more complete LED information

**5** year limited warranty  
AMERLUX LED  
10 Year Warranty Available.  
Consult Factory For Details.



# COACH STYLE LANTERN

## ARM-MOUNT

**CSL-A**  
LED

### Power

LED Modules	1M	2M	3M	4M
<b>Power</b>	24W	44W	60W	79W
Amperage Draw @ 120v	.2	.36	.50	.65
Amperage Draw @ 277v	.08	.15	.21	.28

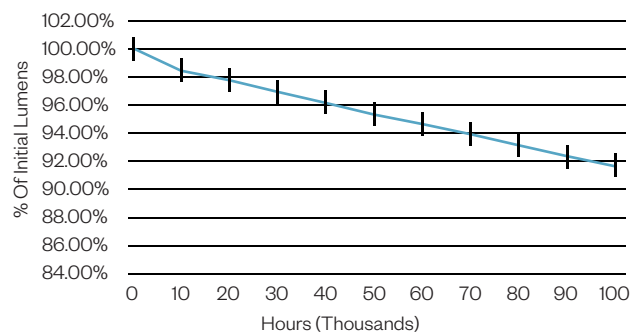
Driver Output	System Watts	Light Distribution	CCT	Lumens	BUG Rating		
<b>1M</b>	24W	T2	3,000K	2,275	1-0-1		
			4,000K	2,460	1-0-1		
		T3	3,000K	2,295	1-0-1		
			4,000K	2,481	1-0-1		
		T4	3,000K	2,220	1-0-1		
			4,000K	2,400	1-0-1		
		T5	3,000K	2,318	1-0-0		
			4,000K	2,507	1-0-0		
		<b>2M</b>	44W	T2	3,000K	4,443	1-0-1
					4,000K	4,804	1-0-1
T3	3,000K			4,485	1-0-1		
	4,000K			4,849	1-0-1		
T4	3,000K			4,339	1-0-1		
	4,000K			4,690	1-0-2		
T5	3,000K			4,531	2-0-1		
	4,000K			4,899	2-0-1		
<b>3M</b>	60W			T2	3,000K	6,647	1-0-1
					4,000K	7,186	2-0-2
		T3	3,000K	6,702	2-0-2		
			4,000K	7,246	2-0-2		
		T4	3,000K	6,490	1-0-2		
			4,000K	7,017	1-0-2		
		T5	3,000K	6,778	3-0-1		
			4,000K	7,328	3-0-1		
		<b>4M</b>	79W	T2	3,000K	8,735	2-0-2
					4,000K	9,443	2-0-2
T3	3,000K			8,803	2-0-2		
	4,000K			9,518	2-0-2		
T4	3,000K			8,528	2-0-2		
	4,000K			9,220	2-0-2		
T5	3,000K			8,907	3-0-1		
	4,000K			9,630	3-0-1		

\*Approximate lumens delivered from raw light engine.

### Lumen Maintenance

Ambient Temperature	50,000 Hours*	70,000 Hours*	90,000 Hours*	100,000 Hours*	Theoretical L70 Hours
25°C	>95.4%	>93.9%	>92.4%	>91.6%	>200,000

\* Per IESNA TM-21 data.

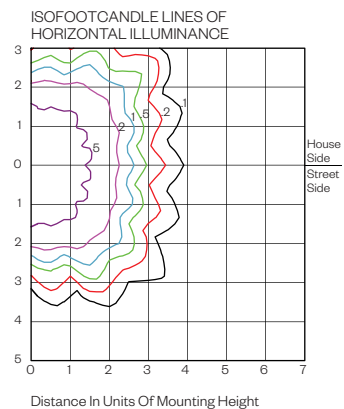
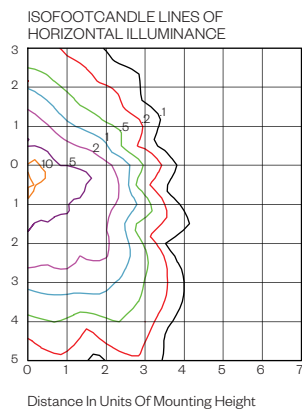
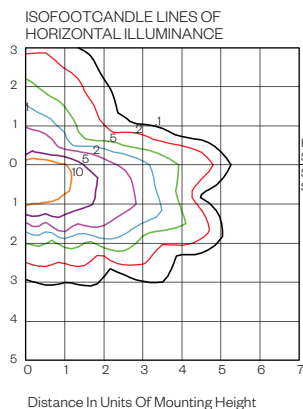
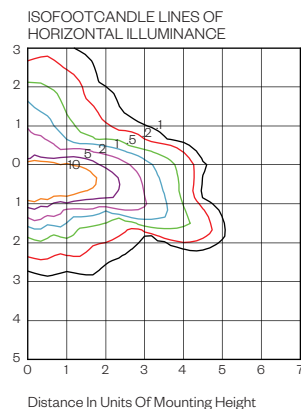
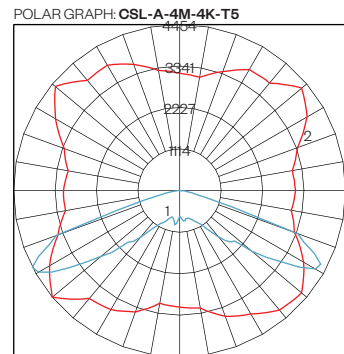
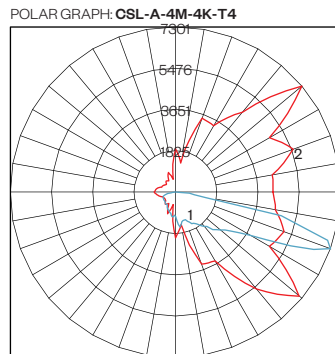
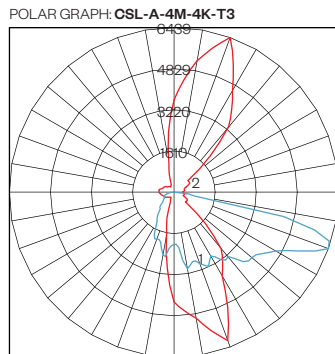
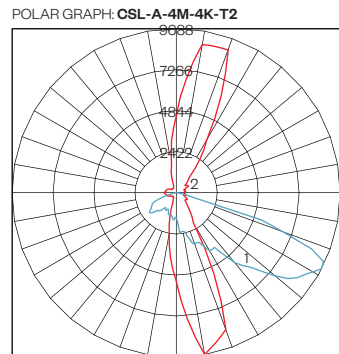


Lumen maintenance values apply to all output levels and distributions.

# COACH STYLE LANTERN ARM-MOUNT

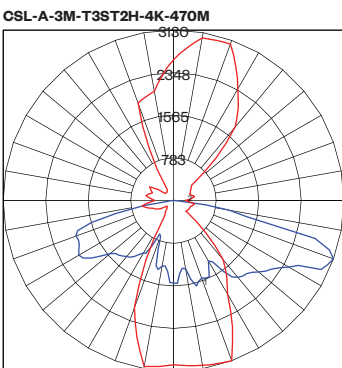
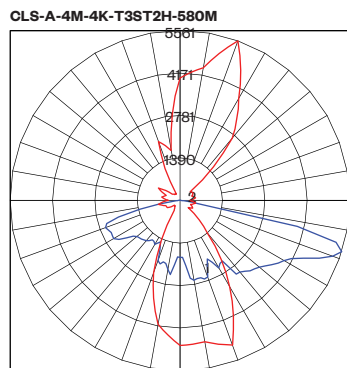
**CSL-A**  
LED

**Performance Detail:**



**Customizable Performance**

Photometry can be modified using different drive currents and a combination of lenses. Consult factory. See examples below.



**Typical Mounting Arm**

