

D154-TS20 LUMINAIRE

U.3.10.16

Description

This contemporary styled D154-TS20 Series combines a cast aluminum housing, a spun aluminum shade and segmented reflector to create an efficient luminaire with Type III(HR3) or Type V(HR5) light distribution. Some of the most popular brackets for use with this fixture are shown below, however there are others available in the "Brackets & Wall Luminaires" section of this catalog.

Electrical

- High power factor ballast (HPF), core and coil type, pre-wired and tested
- Easy ballast pod access
- 4KV pulse rated porcelain socket
- Suitable for wet location

ETL listed, suitable for wet locations.

Installation

The luminaire will mount to the bracket as shown on the reverse page. Post top luminaire brackets will mount to a 3" OD post or tenon with (6) 5/16" stainless steel set screws. Wall bracket models have four 3/8" holes for mounting (wall mount hardware is not included).

Optical Systems

- (HR3-GL) - Type III segmented reflector with a clear flat tempered glass.
 (HR5-GL) - Type V segmented reflector with a clear flat tempered glass.

Lens

Clear smooth flat tempered glass (GL)

Finish

Premium quality thermoset polyester powdercoat for a durable finish in the following:

- BLK** - Satin Black **GTB** - Gloss Textured Black
CLB - Classic Bronze **TBK** - Textured Black
GBZ - Gloss Textured Bronze **TGR** - Gloss Textured Green
GRN - Green

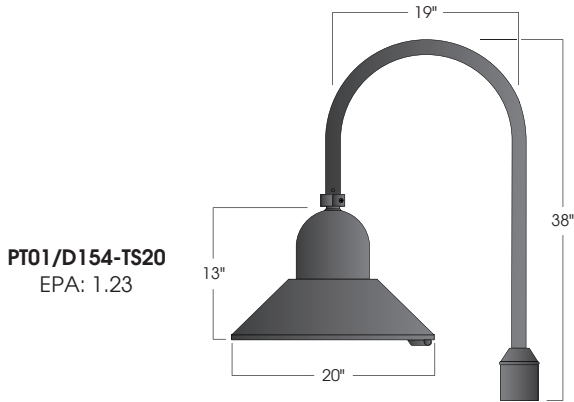


D154-TS20
HID



PROJECT:

TYPE:



Ordering Information:

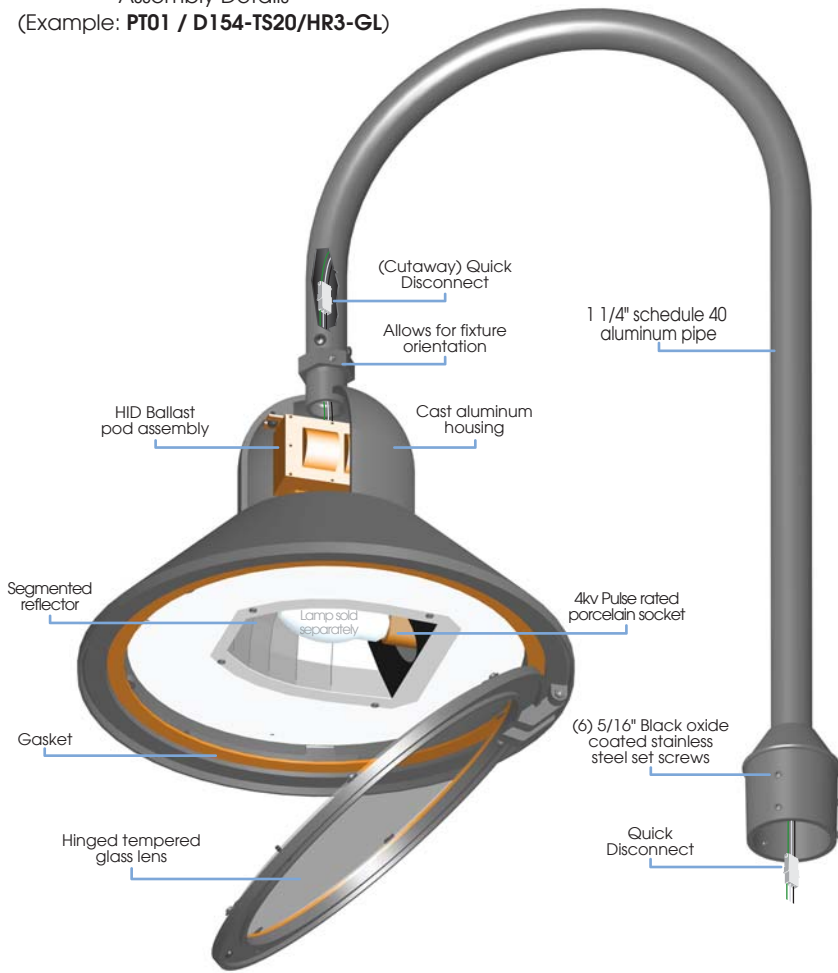
Model	Lens	Optical System	Light Source	Voltage	Finish	Option
D154-TS20	GL	HR3 HR5	50,70,100MH 50,70,100HPS	120v 208v 240v 277v	BLK,CLB GBZ,GRN GTB,TBK TGR Custom	PCL

See next page for more complete ordering options

Part String

Example: D154-TS20-T5/70MH/BLK

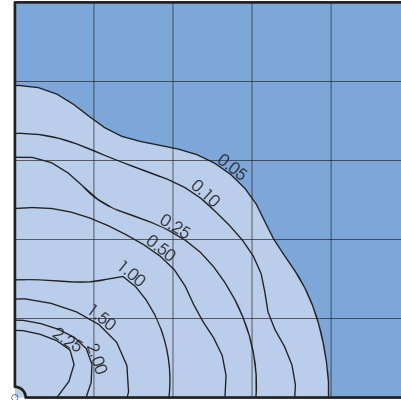
Assembly Details
(Example: PT01 / D154-TS20/HR3-GL)



Standard Photometry

PT01/D154-TS20/HR5

Typical HID light source
8,500 Lumen
12' Mounting Height
Grid Spacing is 12'



Socket Types

Wattage	Socket Type
50MH, 70MH, 100MH	Medium
50HPS, 70HPS, 100HPS	Medium

Mounting Options

