

DU730 SERIES UTILITY LUMINAIRE

U.6.10.16

Features

- Easy accessibility
- Interchangeable ballast pods
- Ease of maintenance
- Optional light control

Installation

The luminaire will mount to a 3" OD post or tenon with 5/16" black oxide coated stainless steel square head set screws to ensure a solid connection. The diffuser will be held to the fitter by (4) 5/16 black oxide coated stainless steel captive square head set screws.

Electrical

- High power factor ballast (HPF), core and coil type, pre-wired and tested (NPF available)
- Easy ballast pod access
- 4KV porcelain socket
- ETL label "suitable for wet location"

Accessories:

- 90 degree house-side shield (**HSS-90**)
- 180 degree house-side shield (**HSS-180**)
- Twist-lock photocell (**PCL-TW**)
- Solid light lid (**SLL**)
- Light lid-downlight reflector (**SLL-FDR**)

Diffuser choices

- Acrylic Type III (**AC-T3**)
- Acrylic Type V (**AC-T5**)
- Polycarbonate Type III (**PC-T3**)
- Polycarbonate Type V (**PC-T5**)

Finish:

Premium quality thermoset polyester powdercoat for a durable finish in the following:

- | | |
|------------------------------------|-----------------------------------|
| BLK - Satin Black | GTB - Gloss Textured Black |
| CLB - Classic Bronze | TBK - Textured Black |
| GBZ - Gloss Textured Bronze | TGR - Gloss Textured Green |
| GRN - Green | |

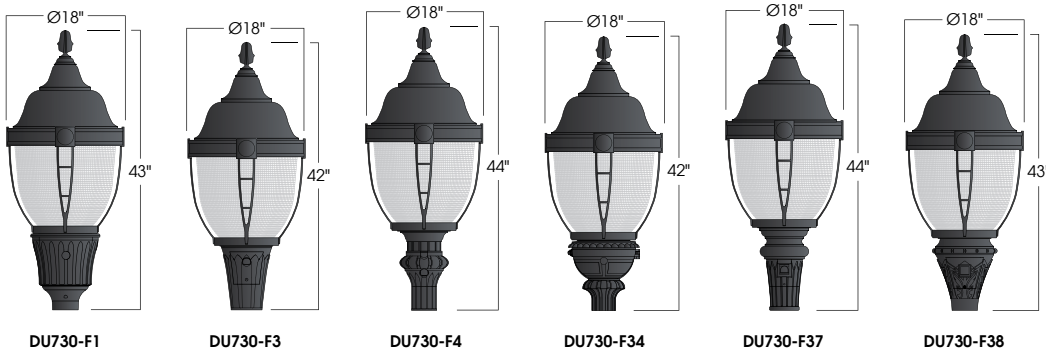


DU730
UTILITY



PROJECT:

TYPE:



Ordering Information:

Model	Lens Material	Light Distribution	Light Source	Voltage	Finish	Accessories
DU730-F1 DU730-F3 DU730-F4 DU730-F34 DU730-F37 DU730-F38	AC PC	T3 T5	50,70MH 100,150MH 175,250MH-PS 50,70HPS 100,150HPS 250HPS CFL13,26,32,42	120v 208v 240v 277v	BLK CLB GBZ GRN GTB TBK TGR Custom	HSS-90 HSS-180 PCL-TW SLL SLL-FDR

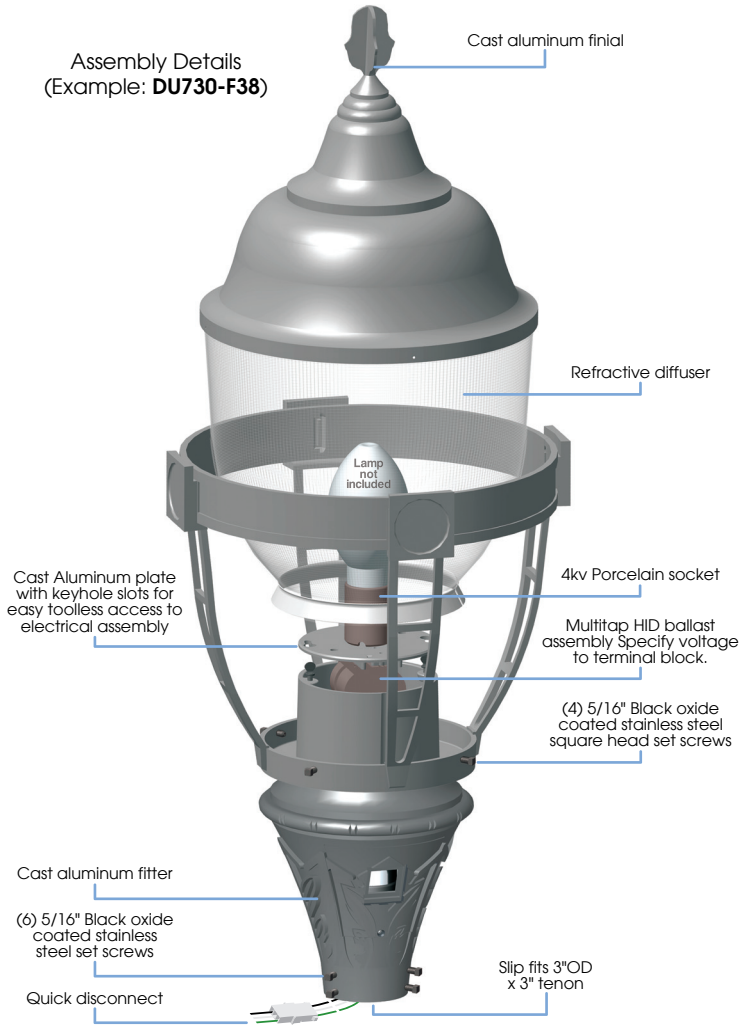
See next page for more complete ordering options



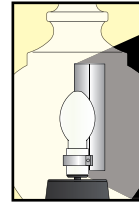
Part String

Example: DU730-F1PC-T5/100MH/120v/BLK

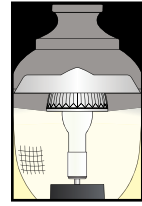
Assembly Details
(Example: **DU730-F38**)



Options



HSS
House Side Shield

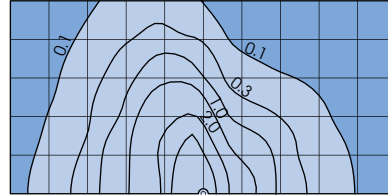


SLL-FDR
Solid Light Lid with Faceted Downlight Reflector

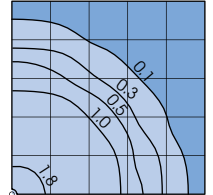
Photometry

DU730 Assembly
175MH lamp
14,000 Lumen
12' Mounting Height
Grid Spacing is 12'

Type III (T3)



Type V (T5)



Socket Types

Wattage	Socket Type
50MH,70MH,100MH,150MH	Medium
175MH-PS,250MH-PS	Mogul
50HPS,70HPS,100HPS	Medium
150HPS,250HPS	Mogul
CFL13,26,32,or 42	4-pin