

# DU790 SERIES LED LUMINAIRE

U.1.8.19

## DESCRIPTION:

The DU790 Series consists of a Type III(T3) or Type V(T5) refractive borosilicate glass acorn combined with a decorative cage and one of several styles of cast aluminum fitters. The series features easy accessibility to drivers and LED system. Powered by Amerlux's patented AVISTA® LED system with options for intensity, distribution and color.

## INSTALLATION:

The luminaire will mount to a 3" OD post or tenon with 5/16" black oxide coated stainless steel set screws to ensure a solid connection. The diffuser will be held to the fitter by (4) 1/4-20" black oxide coated stainless steel captive set screws.

## ELECTRICAL:

- High power factor ballast (HPF), core and coil type, pre-wired and tested
- Easy ballast pod access
- 4KV pulse rated porcelain socket
- Suitable for wet location

**ETL listed, suitable for wet locations.**

## DIFFUSER:

- The fixture will have a high performance borosilicate glass refractive acorn.
- Specify Type III (T3) or Type V (T5) distribution.

## FINISH:

Durable thermoset polyester powdercoat finish in the following:

- Satin Black (**BLK**)
- Classic Bronze (**CLB**)
- Gloss Textured Bronze (**GBZ**)
- Green (**GRN**)
- Gloss Textured Black (**GTB**)
- Textured Black (**TBK**)
- Gloss Textured Green (**TGR**)

## ACCESSORIES:

- Cast aluminum finial (**CFIN**)
- Cast aluminum finial (**FIN-08**)
- Twistlock Photocell (**TW-PCL**)
- 7 pin integrated receptacle (**7IR**)
- Controls Capable Harness (**CCH**)

DU790  
LED UTILITY

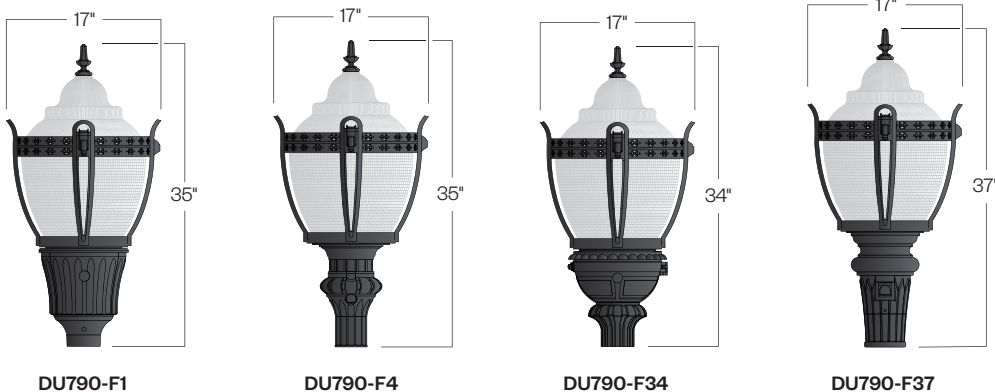


PROJECT:

LOCATION:

FIXTURE TYPE:

NOTES:



Electrostatic sensitive device.  
observe precautions for handling

**5** year limited  
warranty  
AMERLUX LED



# DU790 SERIES LED LUMINAIRE

DU790  
LED UTILITY

## Ordering Information



Add additional accessories as needed.

**1** Model  
**DU790-F1**  
**DU790-F4**  
**DU790-F34**  
**DU790-F37**

**2** Lens Distribution  
**T3** - Type 3  
**T5** - Type 5

**3** LED System  
**AVI2-SY** - Symmetric Distribution

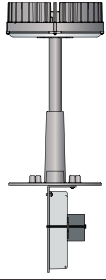
**4** CCT  
**27** - 2,700K  
**30** - 3,000K  
**40** - 4,000K

**5** Drive Current  
**500M** - 500mA  
**700M** - 700mA  
**1200M** - 1200mA

**6** Finish  
**BLK** - Satin Black  
**CLB** - Classic Bronze  
**GBZ** - Gloss Textured Bronze  
**GRN** - Green  
**GTB** - Gloss Textured Black  
**TBK** - Textured Black  
**TGR** - Gloss Textured Green  
**CSTM** - Custom

**7** Accessories  
**CFIN** - Cast Aluminum Finial  
**FIN-08** - Cast Aluminum Finial  
**TW-PCL** - Dusk-to-dawn photocell  
**7IR** - 7 pin integrated receptacle  
**CCH** - Controls Capable Harness

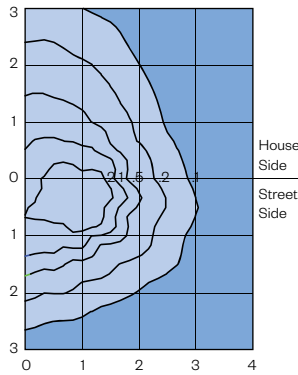
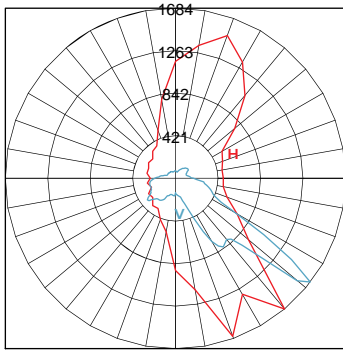
LED Options (**bold** indicates ordering code)

	LED System	Driver Output	System Watts	CCT	Engine Only Lumens	Engine Only LPW
	<b>AVI2-SY</b>	<b>500M</b> (500mA)	27W	<b>27</b> (2,700K)	3,030 lm	112
				<b>30</b> (3,000K)	3,120 lm	116
				<b>40</b> (4,000K)	3,420 lm	126
		<b>700M</b> (700mA)	38W	<b>27</b> (2,700K)	4,120 lm	109
				<b>30</b> (3,000K)	4,240 lm	112
				<b>40</b> (4,000K)	4,640 lm	123
		<b>1200M</b> (1200mA)	68W	<b>27</b> (2,700K)	6,110 lm	90
				<b>30</b> (3,000K)	7,260 lm	107
				<b>40</b> (4,000K)	7,530 lm	111

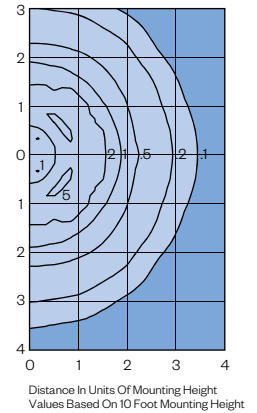
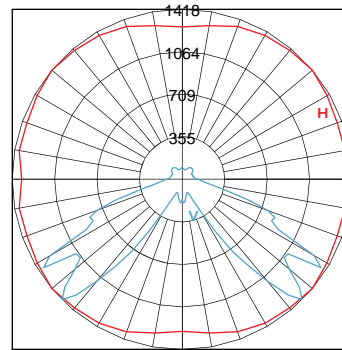
Example: **D138/AO28/T3/AVI2-SY-700M-27/BLK**

Photometry

**DU790-T3-AVI2-SY-40-700M**



**DU790-T5-AVI2-SY-40-1200M**



Finial Styles

