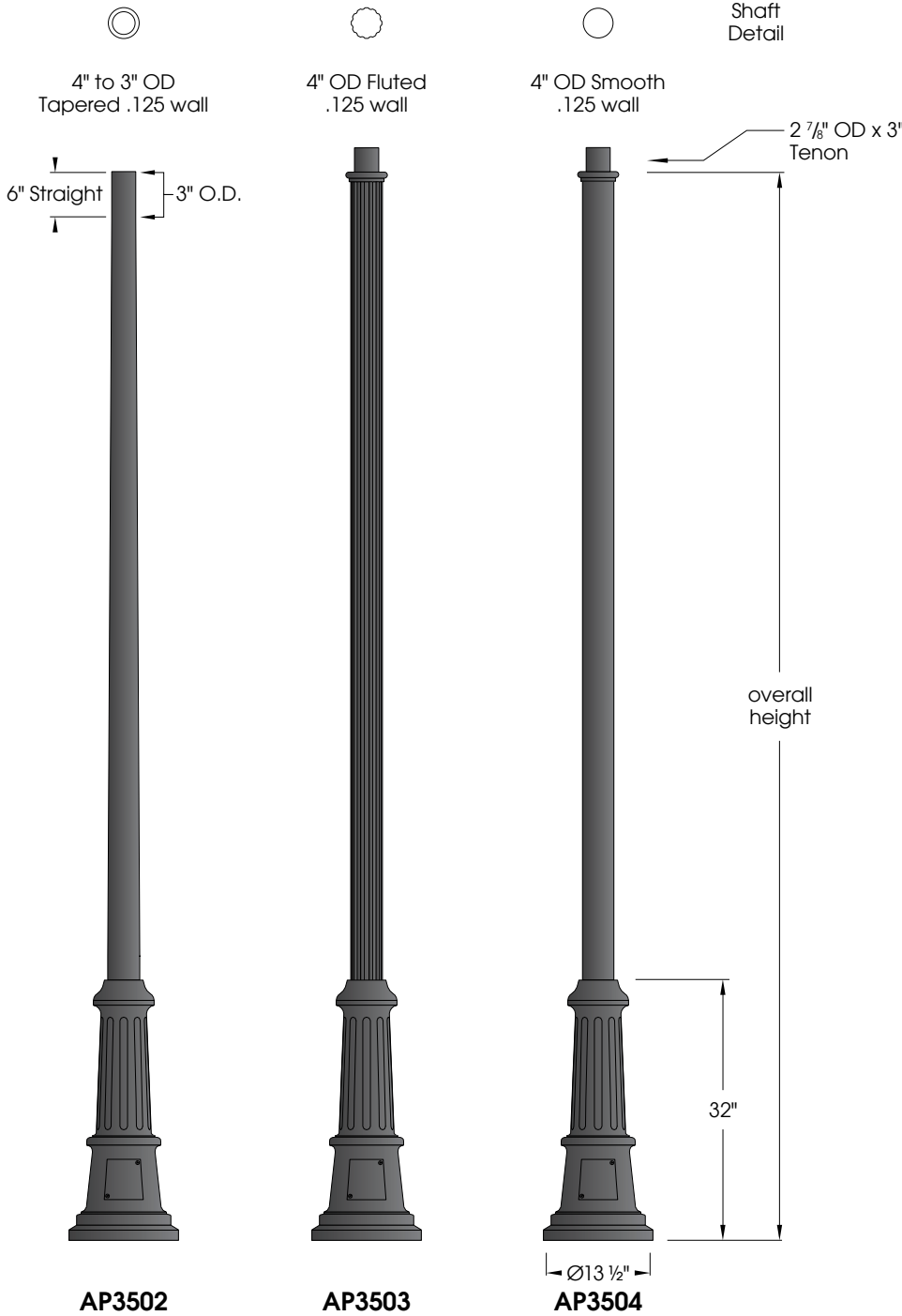


Hamilton Series

U.6.2.16



Features:

13 1/2" diameter fluted cast aluminum base

Choice of extruded shafts

- 4" to 3" OD smooth tapered
- 4" OD fluted (12 flutes) .125 wall
- 4" OD smooth round .125 wall

Extruded shaft is circumferentially welded to the base

Access door for anchor bolts and wiring is secured with stainless steel screws

Ground lug provided inside base

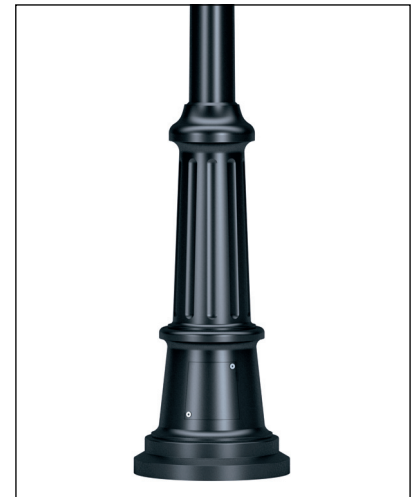
Capable of supporting multiple light brackets

Materials:

Base - Cast aluminum (356-T6)
 Shaft - Extruded Aluminum (6063-T6)
 - Tapered Aluminum (6063-T6)
 Anchor Bolts - Hot dipped galvanized steel

Finish:

Premium quality thermoset polyester powdercoat for a durable finish.

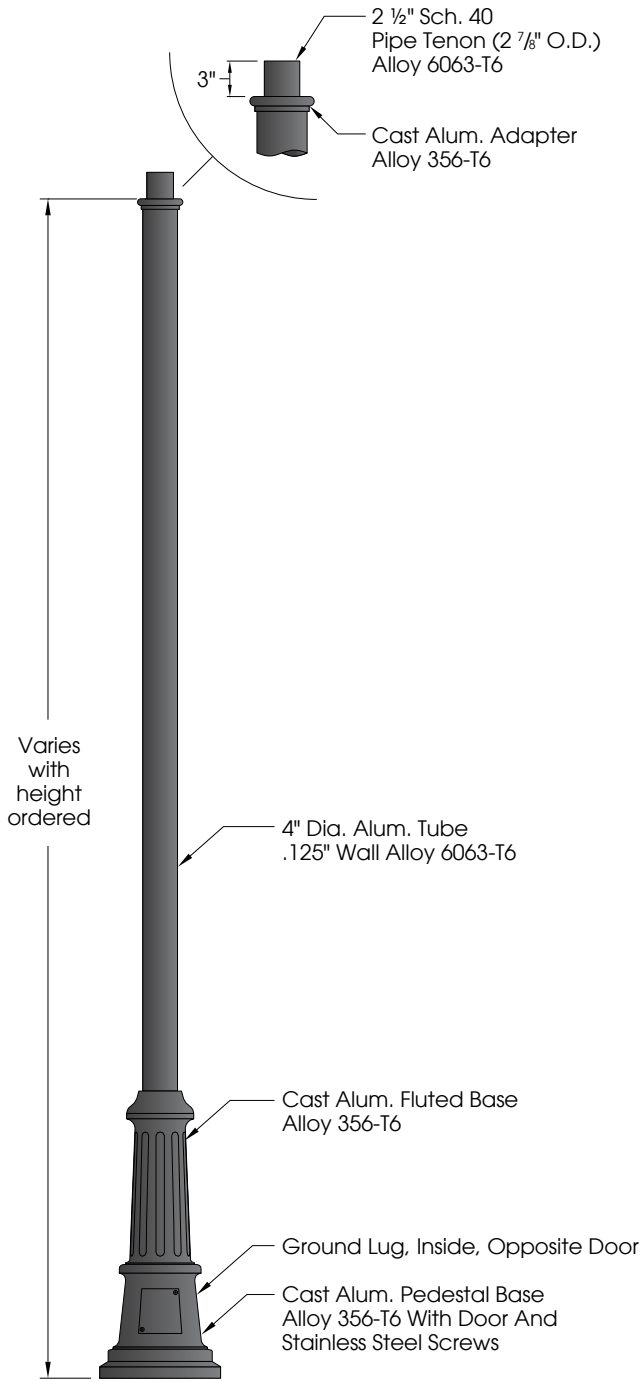


Part String

Example: AP3504-08/BLK

AP3502	AP3503	AP3504	Overall Height	Finish	Accessories
AP3502-08	AP3503-08	AP3504-08	8'-0"	BLK CLB GBZ GRN GTB TBK TGR	BA18 BA24 FPH-4 GFCI
AP3502-10	AP3503-10	AP3504-10	10'-0"		
AP3502-12	AP3503-12	AP3504-12	12'-0"		
AP3502-14	AP3503-14	AP3504-14	14'-0"		
AP3502-16	AP3503-16	AP3504-16	16'-0"		

Accessories See "Accessories" section for more information



Finish
The post will be finished with an electrostatically applied thermoset polyester powder coat. Prior to finishing, the parts are thoroughly cleaned. Our powder coat finish is durable, long lasting, attractive and scratch resistant as well as environmentally friendly. We offer 7 stock finishes or hundreds of special order colors including custom matching for existing projects (additional charges apply).

- BLK** - Satin Black
- CLB** - Classic Bronze
- GBZ** - Gloss Textured Bronze
- GRN** - Green
- GTB** - Gloss Textured Black
- TBK** - Textured Black
- TGR** - Gloss Textured Green

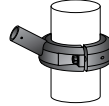
Banner Arms

Single or double sided field rotatable banner arms. **BA18** (18") or **BA24** (24") banner arms **FRC4** (4"OD shaft) or **FRC5** (5"OD shaft) Add a (2) for a double arm. Example: **2BA18-FRC4**



FPH-4

Extruded aluminum holder for 1" OD flag poles. Available for 4" OD non-tapered pole.

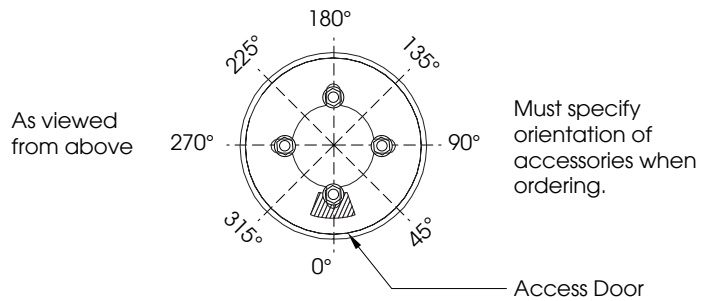


GFCI

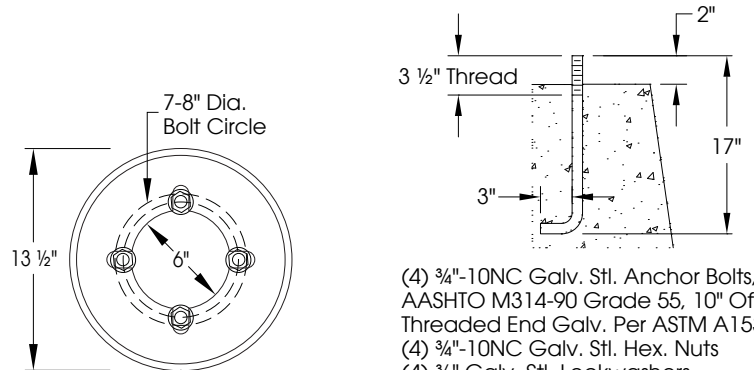
Ground fault circuit protected duplex outlet. Available Recess mounted (GFCI-RM) as shown or surface mount (GFCI-SM).



Accessory Orientation Guide



Anchor Details



- (4) 3/4"-10NC Galv. Stl. Anchor Bolts, AASHTO M314-90 Grade 55, 10" Of Threaded End Galv. Per ASTM A153.
- (4) 3/4"-10NC Galv. Stl. Hex. Nuts
- (4) 3/4" Galv. Stl. Lockwashers
- (4) 3/4" Galv. Stl. Flatwashers

Anchor bolts and templates can be requested prior to product shipment.

