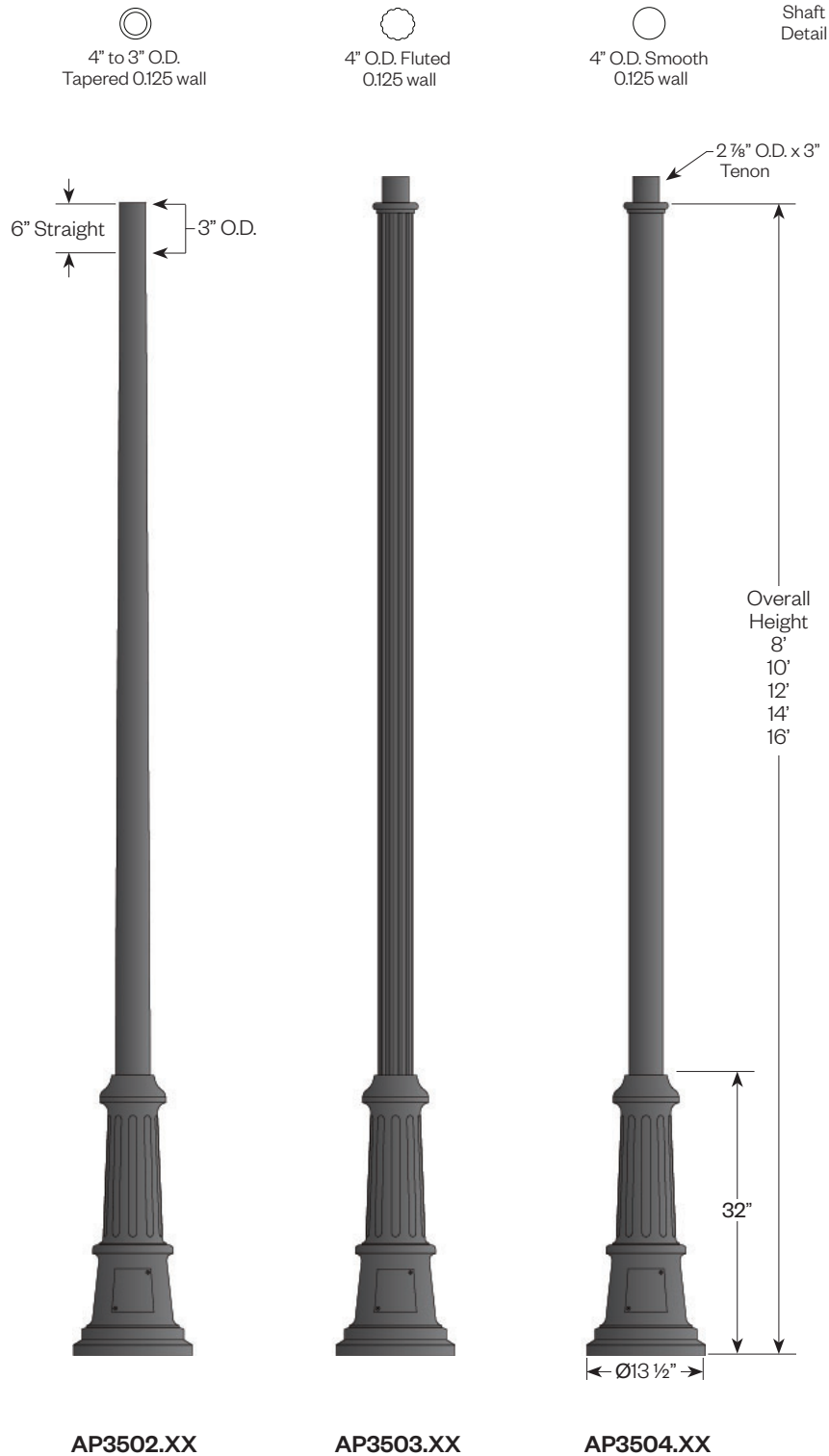


Hamilton Series

U.6.2.16



Features:

13 1/2" diameter fluted cast aluminum base

Choice of extruded shafts

- 4" to 3" OD smooth tapered
- 4" OD fluted (12 flutes) .125 wall
- 4" OD smooth round .125 wall

Extruded shaft is circumferentially welded to the base

Access door for anchor bolts and wiring is secured with stainless steel screws

Ground lug provided inside base

Capable of supporting multiple light bracketse

Materials:

Base - Cast aluminum (356-T6)

Shaft - Extruded Aluminum (6063-T6)

- Tapered Aluminum (6063-T6)

Anchor Bolts - Hot dipped galvanized steel, ordered separately

Finish:

Premium quality thermoset polyester powdercoat for a durable finish.



Amerlux reserves the right to change details that do not affect overall function and performance.

Amerlux®, LLC • P: 973-882-5010 • amerlux.com



Hamilton Series

Pole Ordering Information

1

2

3

4

1 Model

AP3502 - 4" to 3" O.D. pole, tapered 0.125 wall

AP3503 - 4" O.D. fluted pole, 0.125 wall

AP3504 - 4" O.D. smooth pole, 0.125 wall

2 Pole Height

08 - 8'-0"

10 - 10'-0"

12 - 12'-0"

14 - 14'-0"

16 - 16'-0"

3 Finish

BLK - satin black

CLB - classic bronze

GBZ - gloss textured bronze

GRN - green

GTB - gloss textured black

TBK - textured black

TGR - gloss textured green

CSTM - custom, consult factory

4 Options/Accessories

GFCI-TOP - ground fault circuit protected outlet, placed 6" from the top of pole

GFCI-BTM - ground fault circuit protected outlet, placed 6" above the decorative base at the bottom of the pole

LT - less tenon

DB - direct burial extension

Anchor Bolt Ordering Information (Ordered separately, can be pre-shipped upon request)

1

1 Model

555-0018 - 3/4" x 17" anchor bolts

Accessory Ordering Information (Ordered separately)

1

1 Model (all accessories below are for non-tapered shafts only)

BA18-FRC4 - 18" banner arm, 4" OD shaft

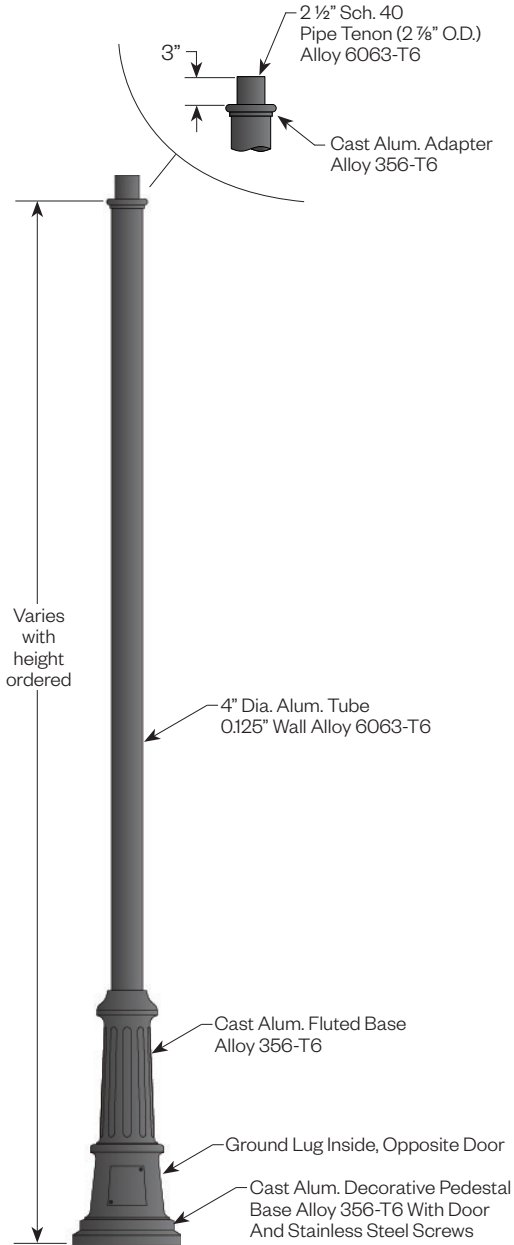
BA24-FRC4 - 24" banner arm, 4" OD shaft

2BA18-FRC4-180 - double sided 18" banner arms, 4" OD shaft

2BA24-FRC4-180 - double sided 24" banner arms, 4" OD shaft

FPH-4 - flag pole holder for 4" non-tapered poles

Hamilton Series



Finish

The post will be finished with an electrostatically applied thermoset polyester powder coat. Prior to finishing, the parts are thoroughly cleaned. Our powder coat finish is durable, long lasting, attractive and scratch resistant as well as environmentally friendly. We offer 7 stock finishes or hundreds of special order colors including custom matching for existing projects (additional charges apply).

- | | |
|------------------------------------|-----------------------------------|
| BLK - Satin Black | GTB - Gloss Textured Black |
| CLB - Classic Bronze | TBK - Textured Black |
| GBZ - Gloss Textured Bronze | TGR - Gloss Textured Green |
| GRN - Green | |

Accessories

Banner Arms

Single or double sided field rotatable banner arms.

BA18 (18") or **BA24** (24") banner arms

FRC4 (4"OD shaft)

Add a (2) for a double arm. Example: **2BA18-FRC4-180**

See ordering guide for configurations



FPH-4

Extruded aluminum holder for 1" OD flag poles.

Available for 4" OD non-tapered pole.

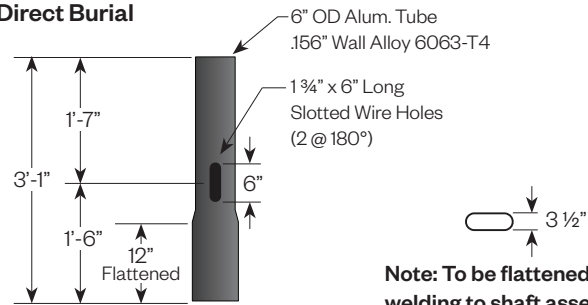


GFCI - Top/Bottom

Covered ground fault circuit protected duplex outlet.

Can be placed near top of pole or above the decorative base at the bottom of the pole. Wet while in use rated.

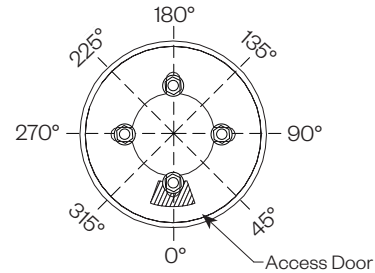
Direct Burial



Note: To be flattened after welding to shaft assembly.

GFCI Orientation Guide

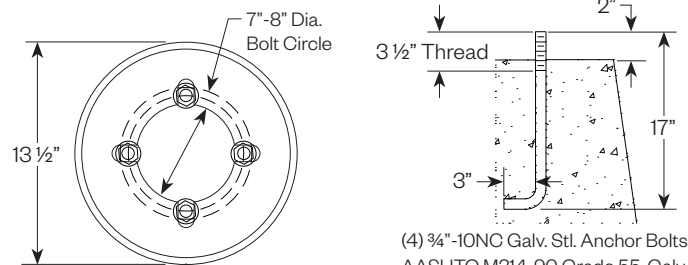
As viewed from above



Note: GFCI placed at 0° unless otherwise specified.

Note: Orientation of additional accessories must be specified when ordering.

Anchor Details



- (4) 3/4"-10NC Galv. Stl. Anchor Bolts, AASHTO M314-90 Grade 55, Galv. Per ASTM A153.
- (4) 3/4"-10NC Galv. Stl. Hex. Nuts
- (4) 3/4" Galv. Stl. Lockwashers
- (4) 3/4" Galv. Stl. Flatwashers

Anchor bolts and templates can be requested prior to product shipment.

Amerlux reserves the right to change details that do not affect overall function and performance.

