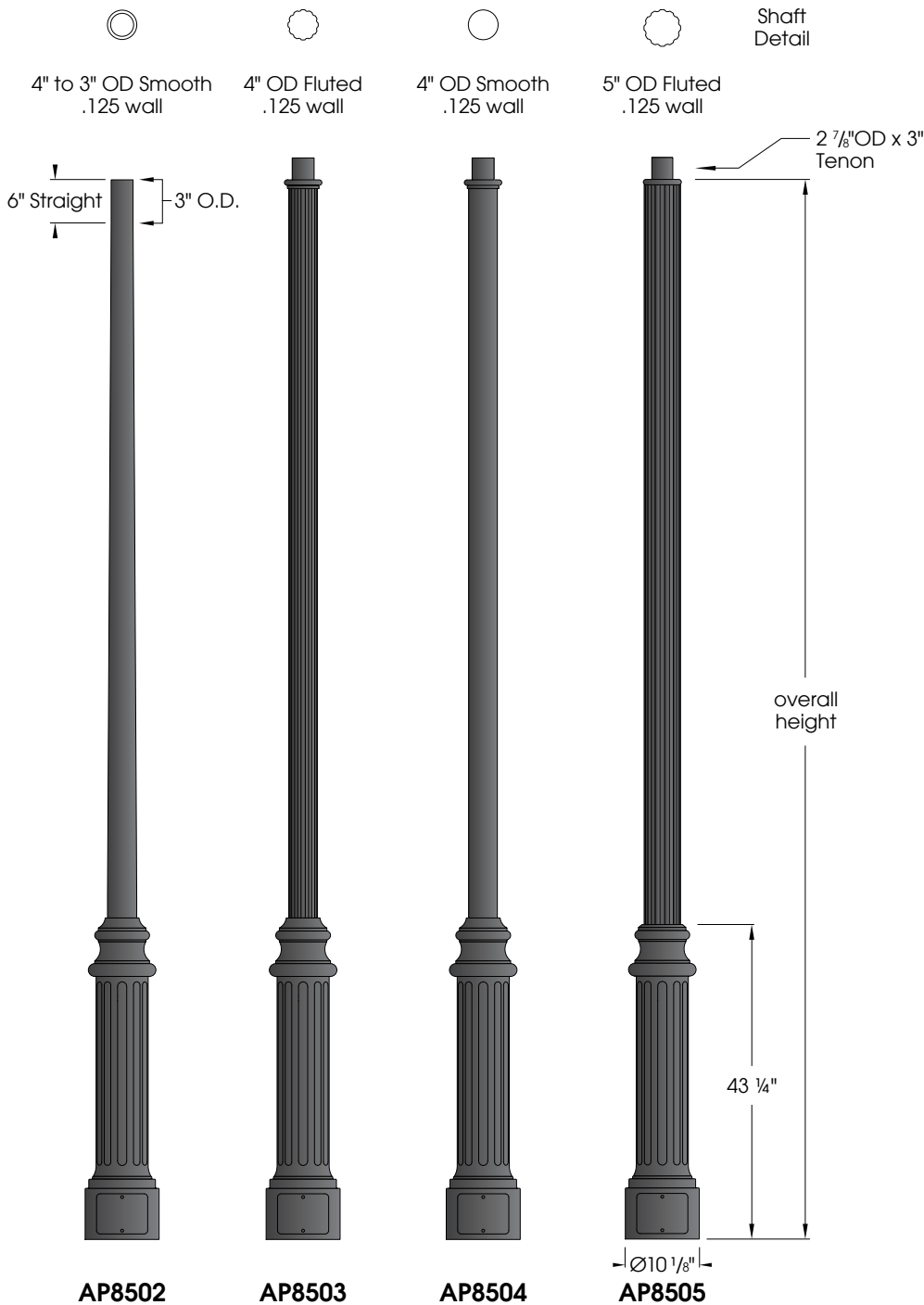


Houston Series

U.1.11.16



Features:

1 1/2" diameter cast aluminum fluted base

Choice of extruded shafts

- 4" to 3" OD smooth tapered
- 4" OD fluted (12 flutes .125 wall)
- 4" OD smooth round (.125 wall)
- 5" OD fluted (12 flutes .125 wall)

Extruded shaft is circumferentially welded to the base

Access door for anchor bolts and wiring is secured with stainless steel screws

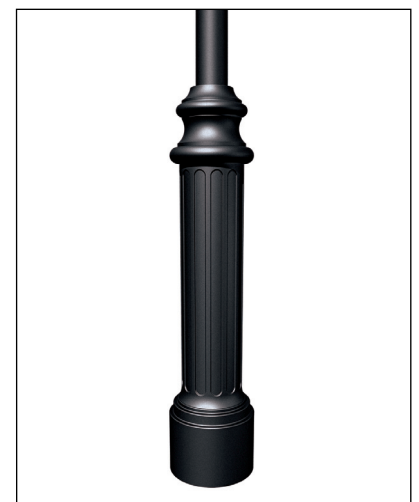
Ground lug provided inside base

Materials:

Base - Cast aluminum (356-T6)
 Shaft - Extruded Aluminum (6063-T6)
 - Tapered Aluminum (6063-T6)
 Anchor Bolts - Hot dipped galvanized steel

Finish:

Premium quality thermoset polyester powdercoat for a durable finish.



Part String

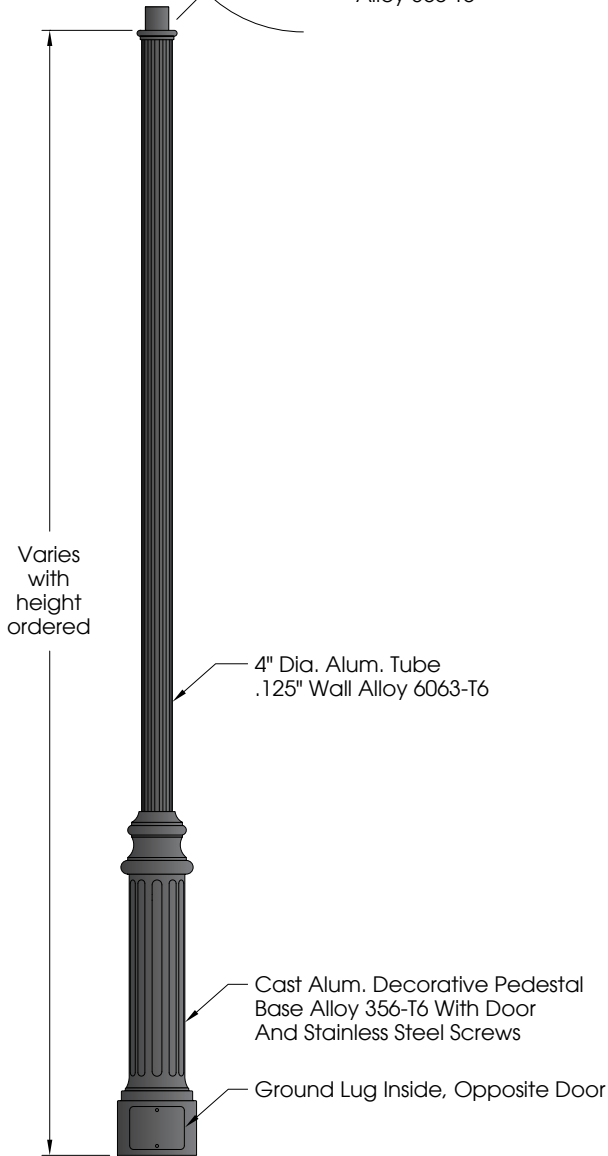
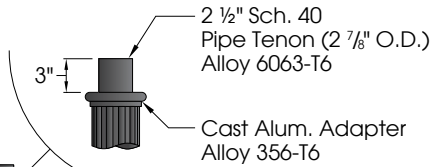


Example: AP8502-08/BLK

AP8502	AP8503	AP8504	AP8505	Overall Height	Finish	Accessories
AP8502-08	AP8503-08	AP8504-08	AP8505-08	8'-0"	BLK	BA18 BA24 FPH-4 FPH-5 GFCI
AP8502-10	AP8503-10	AP8504-10	AP8505-10	10'-0"	CLB	
AP8502-12	AP8503-12	AP8504-12	AP8505-12	12'-0"	GBZ	
AP8502-14	AP8503-14	AP8504-14	AP8505-14	14'-0"	GRN	
AP8502-16	AP8503-16	AP8504-16	AP8505-16	16'-0"	GTB TBK TGR	

Accessories

See "Accessories" section for more information



Finish
The post will be finished with an electrostatically applied thermoset polyester powder coat. Prior to finishing, the parts are thoroughly cleaned. Our powder coat finish is durable, long lasting, attractive and scratch resistant as well as environmentally friendly. We offer 7 stock finishes or hundreds of special order colors including custom matching for existing projects (additional charges apply).

BLK - Satin Black
CLB - Classic Bronze
GBZ - Gloss Textured Bronze
GRN - Green

GTB - Gloss Textured Black
TBK - Textured Black
TGR - Gloss Textured Green

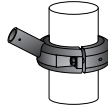
Banner Arms

Single or double sided field rotatable banner arms. **BA18** (18") or **BA24** (24") banner arms **FRC4** (4"OD shaft) or **FRC5** (5"OD shaft)
Add a (2) for a double arm. Example: **2BA18-FRC4**



FPH-4

Extruded aluminum holder for 1" OD flag poles. Available for 4" OD non-tapered pole.

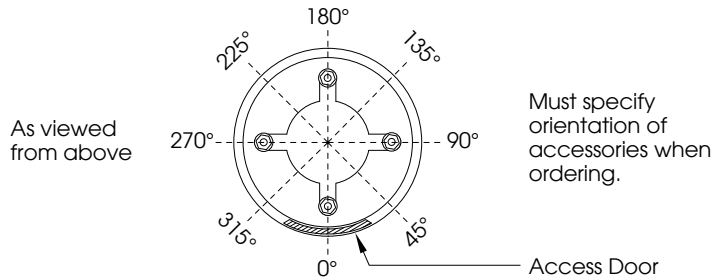


GFCI

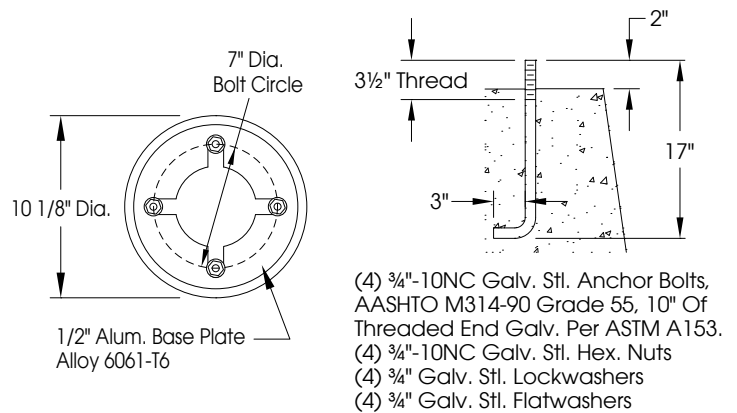
Ground fault circuit protected duplex outlet. Available Recess mounted (GFCI-RM) as shown or surface mount (GFCI-SM).



Accessory Orientation Guide



Anchor Details



Anchor bolts and templates can be requested prior to product shipment.