

AMERLUX® PUCK LIGHT - ADJUSTABLE

LED

APL-A
LED

APPLICATION:

Display and display case lighting

PUCK CONSTRUCTION:

Machined aluminum body and faceplate, brushed finish with clear coat in a variety of finishes
Steel torsion springs
0-30° tilt, 360° rotation

LED:

Solid state lighting
High output warm white
CCT: 2700K, 3000K, 3500K, 4000K
CRI: 85
Life: 50,000 hrs
Lumen Maintenance: >70% or initial lumens @ 50,000 hrs
Lumen Output (typical): Spot - 96 lm, Narrow Flood - 92 lm, Flood - 91 lm, Wide Flood - 80 lm

OPTICS:

Beam options: Spot 8°, Narrow Flood 16°, Flood 26°, Wide Flood 45°

ELECTRICAL:

Driver (Power Supply):

Input: 120v only
Output: 12V, 0.7A
Class II Constant current driver 700 mA, 3w LED

1 LED - 3 watts 4 LEDs - 12 watts
2 LEDs - 6 watts 5 LEDs - 15 watts
3 LEDs - 9 watts 6 LEDs - 18 watts

Plug module on power supply allows up to 3 pucks to be attached while maintaining series wiring (power must be off while attaching pucks to power supply)
ELV dimming standard for 12w & 18w option

This product complies with IEEE C62.41 for surge endurance up to 2.5KV. Amerlux® recommends using additional surge protection with this unit (supplied by others), surge damage is not covered by warranty.

LABELING:

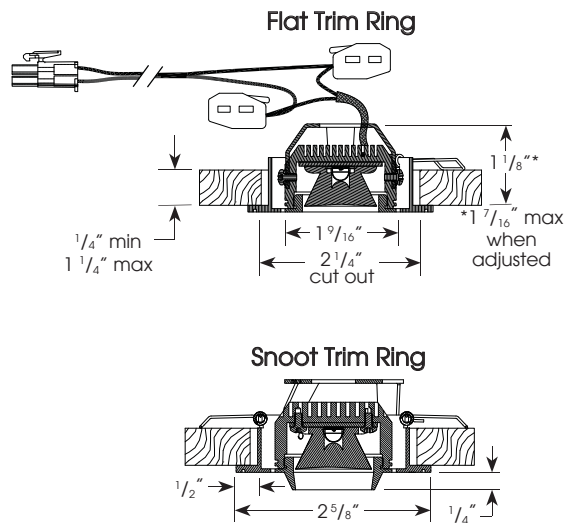


For indoor use only

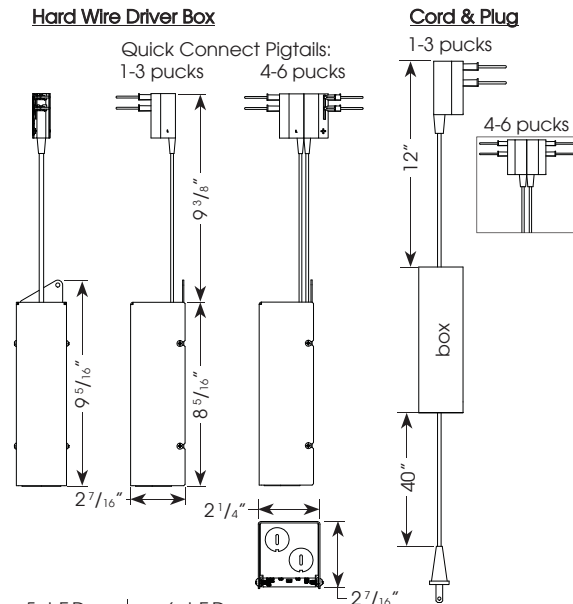


PROJECT:

TYPE:



Power Connections:



ELECTRICAL

Electronic Driver, 120v

1-LED System		2-LEDs System		3-LEDs System		4-LEDs System		5-LEDs System		6-LEDs System	
Watts	Amps	Watts	Amps	Watts	Amps	Watts	Amps	Watts	Amps	Watts	Amps
3.5	.029	6.0	.048	8.5	.067	10.5	0.09	12.3	0.10	14.7	0.12

Class 2 constant current driver, 700 mA

ORDERING INFORMATION:

PUCK								DRIVER (power supply, order separately)			
Model	Wattage	Lamp Type	Finish	Beam Spread	Lead Length	Trim Ring	Color Temp	Model	Wattage	Voltage	Power Connection
APL-A	3	LED	NA - brushed aluminum ACP - antique copper GD - gold	CL - spot 8° NF - narrow flood 16° FL - flood 26° WF - wide flood 45°	6' 20'	F - flat trim ring SN - 1/4" snoot trim ring,	2700 3000 3500 4000	APL-PS	9 (feed max of 3 pucks) 12 (4 pucks only) 18 (5 or 6 pucks only)	120	C&P - cord and plug HW3 - hard wire, up to 3 pucks (use for 9w) HW4 - hard wire, 4 pucks (use for 12w) HW6 - hard wire, 5 or 6 pucks (use for 18w)

Puck Example: APL-A-3-LED-NA-FL-6-F-3000

Driver Example: APL-PS-9-120-C&P

Cat#:

Amerlux® reserves the right to change details that do not affect overall function and performance.



AMERLUX® PUCK LIGHT - ADJUSTABLE

LED

APL-A
LED



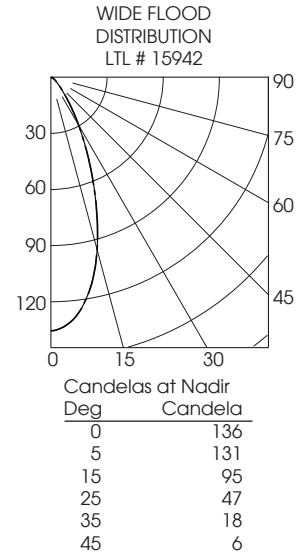
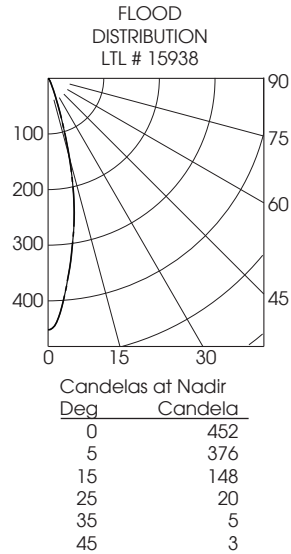
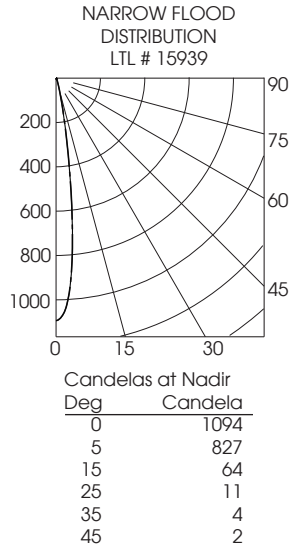
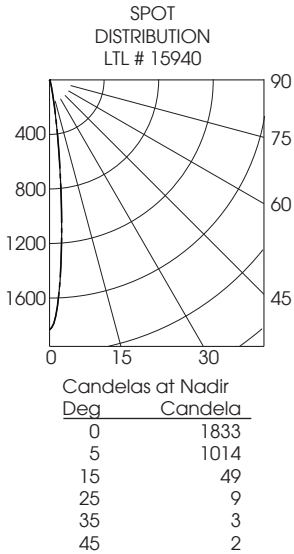
TYPE:



FIXTURE DATA:

Complete photometric data (ies format) available upon request.

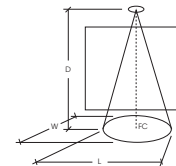
3W LED



APPLICATION DATA:

Notes and Definitions:

Beam spread is to 50% center beam candlepower (CBCP).
 D=Distance to floor or wall.
 FC=Footcandles on floor or wall at center beam aiming location.
 L=Effective Visual Beam length in feet (50% of maximum footcandle level).
 W=Effective Visual Beam width in feet (50% of maximum footcandle level).
 CB=Distance across or down to center beam location.



0° Aiming Angle
Horizontal
Footcandles

	D	FC	L	W
SPOT	2.0'	456	.99	.99
	4.0'	114	1.03	1.03
	6.0'	51	1.16	1.16
	8.0'	29	1.45	1.45
NARROW FLOOD	2.0'	273	1.0	1.0
	4.0'	68	1.08	1.08
	6.0'	30	1.36	1.36
	8.0'	17	2.02	2.02
FLOOD	2.0'	113	1.02	1.02
	4.0'	28	1.52	1.52
	6.0'	13	2.39	2.39
	8.0'	7	3.14	3.14
WIDE FLOOD	2.0'	34	1.27	1.27
	4.0'	9	2.75	2.75
	6.0'	4	3.91	3.91
	8.0'	2	5.32	5.32