

# CURRENT LIMITING DEVICE

GLOBAL TRACK 2 CIRCUIT/2 NEUTRAL, 277V

ACL-HTEK  
2C/2N, 277V

## APPLICATIONS:

Limits the amount of electrical load placed on a run of 2 circuit/2 neutral track to meet Energy Code restrictions

## CONSTRUCTION:

### Cover:

Molded UL approved polycarbonate, color-matched to track components

### Mounting Plate:

Stamped steel 16 ga. zinc plated  
Integral track connector is keyed for polarity by order based on feed direction

### Circuit Breaker:

Integrated rocker style circuit breaker features ON/OFF markings  
Snap-in circuit breaker contains screw terminals for 12 ga. copper conductors

## MOUNTING:

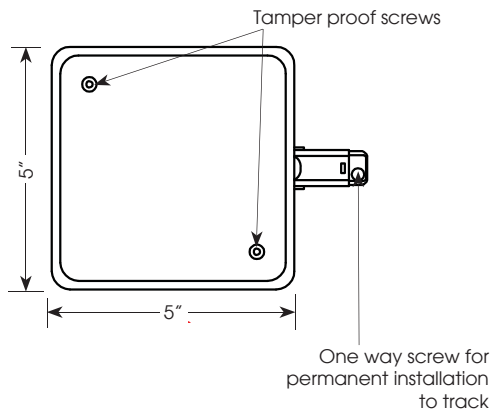
Surface mounts directly to a 4" octagonal box  
Compatible with Global HTEK 2 circuit/2 neutral track  
Remote and suspension mounting options, see following page

## LABELING:



PROJECT:

TYPE:

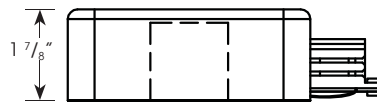


## ELECTRICAL

277v v 60hz capacity  
Integral circuit breaker in a variety of amp ratings

1 amp/277 watts  
3 amps/831 watts  
5 amps/1385 watts  
8 amps/2077 watts  
10 amps/2770 watts

Amerlux recommends loading to not more than 80% of capacity to eliminate nuisance tripping



5 year limited warranty  
AMERLUX LED

(see website for details)

## ORDERING INFORMATION:

| Model  | Finish  | Amp Rating                          |           |
|--|---|-------------------------------------|-----------|
|  |   | Circuit 1                           | Circuit 2 |
| ACL-HTEK11 - current limiting device with live end (left) feed                         | 1 - silver gray w/black circuit breaker<br>2 - black w/black circuit breaker<br>3 - white w/white circuit breaker | <u>Standard Breakers</u>            |           |
| ACL-HTEK12 - current limiting device with live end (right) feed                        |   | 1A                                  | 1A        |
| ACL-REM-277 - current limiting device, remote mounted, 277v (not Title 24 CEC listed)  |   | 3A                                  | 3A        |
| ACL-HTEK11-SUS - current limiting device w/live end (left) feed, suspended with track  |   | 5A                                  | 5A        |
| ACL-HTEK12-SUS - current limiting device w/live end (right) feed, suspended with track |   | 8A                                  | 8A        |
|  |   | 10A                                 | 10A       |
|  |   | <u>Special Order (Non-standard)</u> |           |
|  |   | 0.5A                                | 0.5A      |
|  |   | 1.5A                                | 1.5A      |
|  |   | 2A                                  | 2A        |
|  |   | 2.5A                                | 2.5A      |
|  |   | 4A                                  | 4A        |
|  |   | 6A                                  | 6A        |
|  |   | 7A                                  | 7A        |
|  |   | 9A                                  | 9A        |

Note: Non-standard breaker size requires additional lead times, consult factory.

Example: ACL-HTEK11-3-5A-5A

Cat #:

Amerlux reserves the right to change details that do not affect overall function and performance.

# CURRENT LIMITING DEVICE

GLOBAL TRACK 2 CIRCUIT/2 NEUTRAL, 277V

ACL-HTEK  
2C/2N, 277V



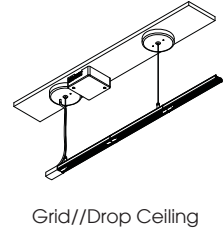
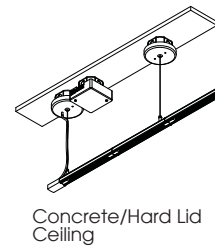
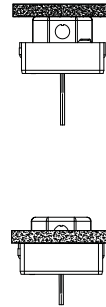
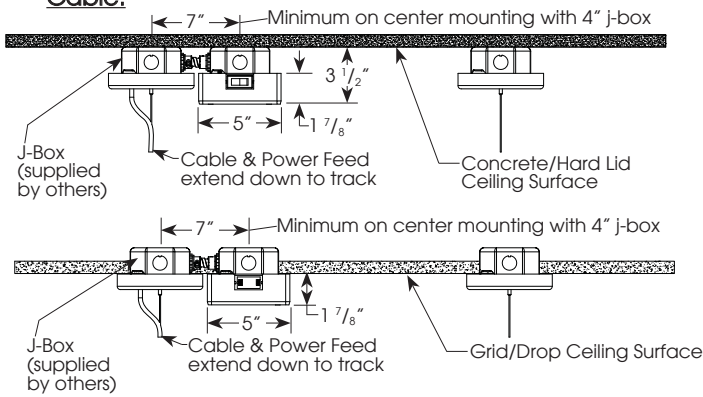
TYPE:



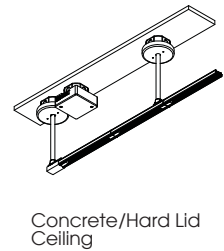
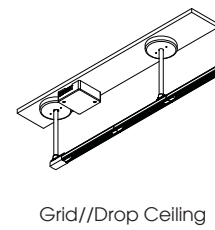
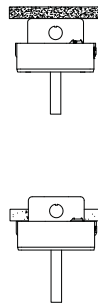
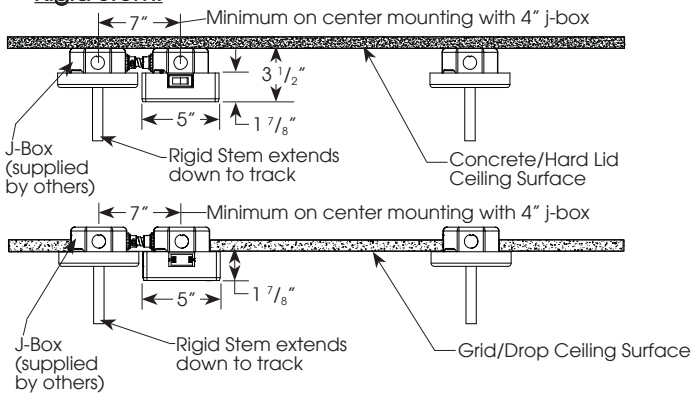
## MOUNTING OPTIONS:

### Remote Options:

#### Cable:



#### Rigid Stem:



### Suspension Options:

