

CURRENT LIMITING DEVICE

GLOBAL TRACK 2 CIRCUIT/2 NEUTRAL, 277V

ACL-HTEK
2C/2N, 277V

APPLICATIONS:

Limits the amount of electrical load placed on a run of 2 circuit/2 neutral track to meet Energy Code restrictions

CONSTRUCTION:

Cover:

Molded UL approved polycarbonate, color-matched to track components

Mounting Plate:

Stamped steel 16 ga. zinc plated
Integral track connector is keyed for polarity by order based on feed direction

Circuit Breaker:

Integrated rocker style circuit breaker features ON/OFF markings
Snap-in circuit breaker contains screw terminals for 12 ga. copper conductors

MOUNTING:

Surface mounts directly to a 4" octagonal box
Compatible with Global HTEK 2 circuit/2 neutral track
Remote and suspension mounting options, see following page

LABELING:

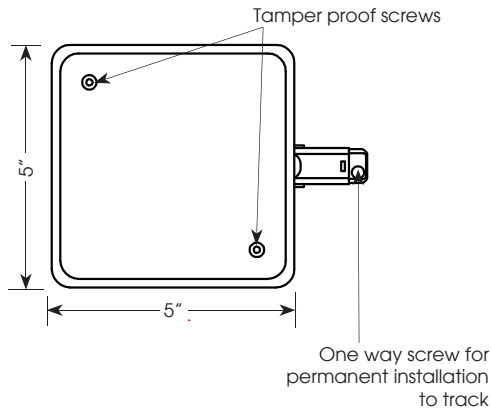


Title 24 CEC listed (except ACL-REM)



PROJECT:

TYPE:



ELECTRICAL

277v v 60hz capacity
Integral circuit breaker in a variety of amp ratings

1 amp/277 watts
3 amps/831 watts
5 amps/1385 watts
8 amps/2077 watts
10 amps/2770 watts

Amerlux recommends loading to not more than 80% of capacity to eliminate nuisance tripping



(see website for details)

ORDERING INFORMATION:

Model	Finish	Amp Rating	
		Circuit 1	Circuit 2
ACL-HTEK11 - current limiting device with live end (left) feed	1 - silver gray w/black circuit breaker 2 - black w/black circuit breaker 3 - white w/white circuit breaker	<u>Standard Breakers</u>	
ACL-HTEK12 - current limiting device with live end (right) feed		1A	1A
ACL-REM-277 - current limiting device, remote mounted, 277v (not Title 24 CEC listed)		3A	3A
		5A	5A
		8A	8A
		10A	10A
ACL-HTEK11-SUS - current limiting device w/live end (left) feed, suspended with track		<u>Special Order (Non-standard)</u>	
ACL-HTEK12-SUS - current limiting device w/live end (right) feed, suspended with track		0.5A	0.5A
		1.5A	1.5A
		2A	2A
		2.5A	2.5A
		4A	4A
		6A	6A
		7A	7A
		9A	9A

Note: Non-standard breaker size requires additional lead times, consult factory.

Example: ACL-HTEK11-3-5A-5A

Cat #:

Amerlux reserves the right to change details that do not affect overall function and performance.



CURRENT LIMITING DEVICE

GLOBAL TRACK 2 CIRCUIT/2 NEUTRAL, 277V

ACL-HTEK
2C/2N, 277V



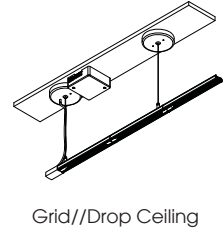
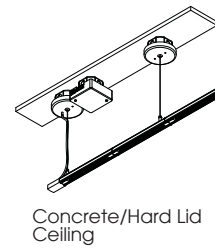
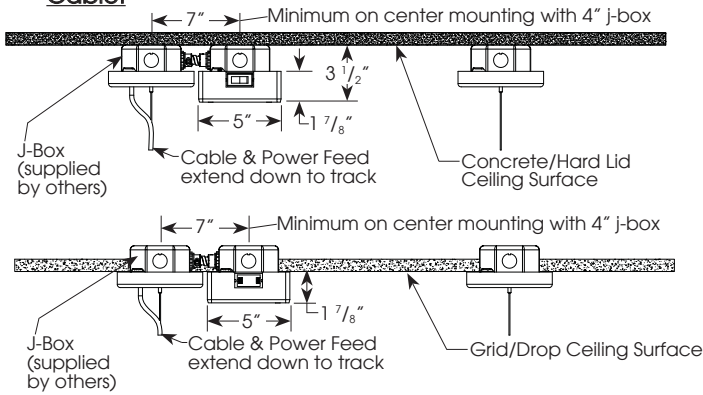
TYPE:



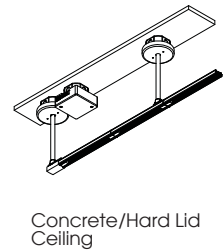
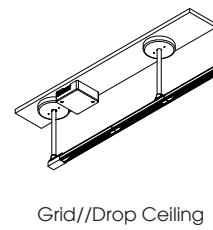
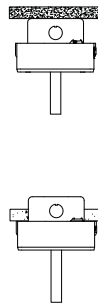
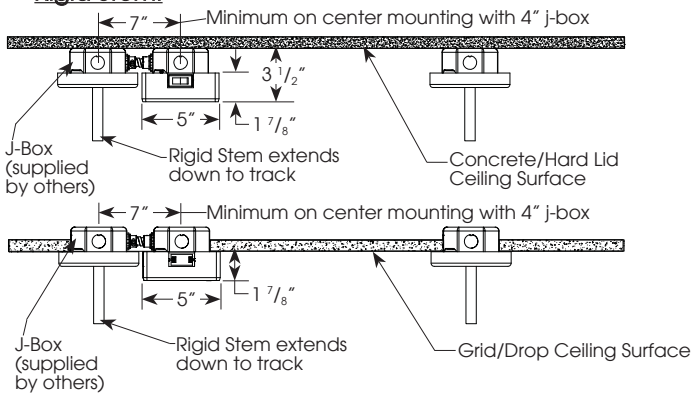
MOUNTING OPTIONS:

Remote Options:

Cable:



Rigid Stem:



Suspension Options:

