

CONTOUR VERTICAL 4X4

TRACK WALL WASH LED

CNTRV44
LED

APPLICATION:

Retail & commercial accent & display lighting

CONSTRUCTION:

Extruded aluminum ballast housing and heat sink
Stamped aluminum end plates
Formed steel wire cover
Powder coat paint, available in over 200 finishes

ELECTRICAL:

Electronic constant current LED driver
120v or 277v input

This product complies with IEEE C62.41 for surge endurance up to 2.5KV. Amerlux® recommends using additional surge protection with this unit (supplied by others), surge damage is not covered by warranty.

OPTICS:

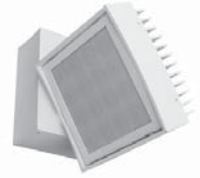
LED cluster
Color Temp Options: 2700K, 3000K, 3500K, 4000K
CRI: 85
Binning: 3 MacAdam (SDMC)
Life: 50,000 hrs
Lumen Maintenance: >70% of initial lumens @ 50,000 hrs
0-90° tilt, 360° rotation
Wall Wash bead spread, 90° x 60°

MOUNTING:

Track, canopy and busway
Note: Ceiling mounted track only

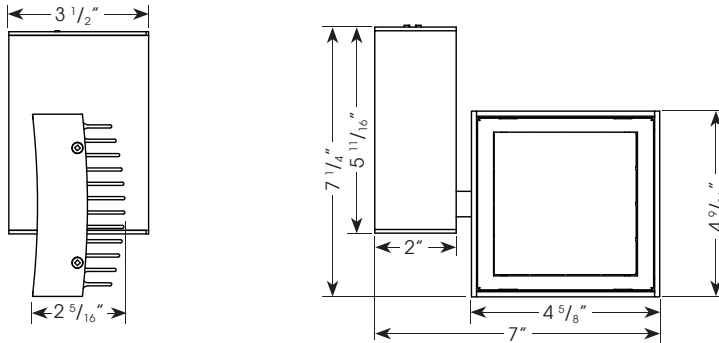
LABELING:

 Approved to UL standards as tested by CSA
For indoor use only



PROJECT:

TYPE:




Electrostatic sensitive device,
observe precautions for
handling



ELECTRICAL

Driver	System Watts	Amps
Electronic 120v	32	.27
277v	32	.12

Class 2 constant current driver, 600 mA

5 year limited
warranty
AMERLUX LED
(see website for details)

ORDERING INFORMATION:

Model	Wattage	Lamp Type	Driver	Finish	Mounting	Voltage	Beam Spread	Color Temp	Options
CNTRV44 32		LED	E - electronic	WT - white texture BT - black texture ST - silver texture - (other RAL)	TN1 - Global GES 1cir/H-Style, 120v TEK - Global TEK 2cir/2neut, 120v TN3 - Global XTS 3cir, 120v TN2 - Global HTEK 2cir/2neut, 277v CT - J-Style LOL - L-Style LLAB - Litelab Bus Run, 120v B - busway C - canopy CCL2 - C-clamp with SCP - straight cord, 6' CCP - coil cord, 5'	120 277	WW - wall wash 90° x 60°	2700 3000 3500 4000	DIM-ELV - ELV dimming (120v only)

Example: CNTRV44-32-LED-E-WT-TN1-120-WW-3000

Cat #:

Amerlux reserves the right to change details that do not affect overall function and performance.



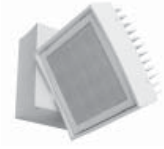
CONTOUR VERTICAL 4X4

TRACK WALL WASH LED

CNTRV44
LED



TYPE:



FIXTURE DATA:

Complete photometric data (.ies format) available upon request.

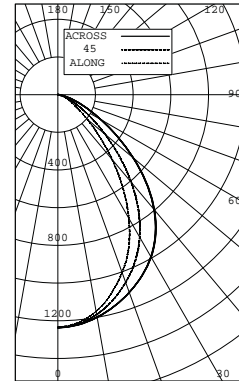
Contour Vertical 4x4 Wall Wash
Source: 16 white LEDs Lumens: 2082
Recessed

ZONAL LUMEN SUMMARY

Zone	Lumens	%Fixt
0-30	880	42.27
0-40	1346	64.64
0-60	1932	92.78
0-90	2082	100.0
40-90	736	35.36
60-90	150	7.22
90-180	0	0.0
0-180	2082	100.0

Efficacy (lpw) = 60.7

LTL# 368479



APPLICATION DATA:

Footcandles on Wall

Footcandles are average and rounded off.
Data for multiple units are based on a minimum of five units.

3' off wall, 3' o.c., 30° tilt

Distance from Fixture	1'	2'	3'	4'	5'	6'	7'	8'	9'
1'	61	60	61	61	60	60	60	60	60
2'	87	87	88	89	88	87	87	87	87
3'	83	84	85	85	85	84	83	83	83
4'	65	67	67	68	67	66	65	65	65
5'	49	50	51	51	51	50	49	49	49
6'	36	37	38	38	38	37	36	36	36
7'	28	29	29	29	29	29	28	28	28
8'	22	22	23	23	23	22	22	22	22
9'	18	18	19	19	19	18	18	18	18

4' off wall, 4' o.c., 30° tilt

Distance from Fixture	1'	2'	3'	4'	5'	6'	7'	8'	9'
1'	31	31	30	31	31	30	30	30	31
2'	48	47	47	47	48	47	47	47	47
3'	54	54	54	54	54	54	54	54	54
4'	50	50	50	50	50	50	49	49	49
5'	42	42	42	43	43	42	42	42	41
6'	34	35	35	35	35	35	35	35	34
7'	28	29	29	29	29	29	29	28	28
8'	23	24	24	24	24	24	24	23	23
9'	20	20	20	21	20	20	20	20	20

4' off wall, 5' o.c., 30° tilt

Distance from Fixture	1'	2'	3'	4'	5'	6'	7'	8'	9'
1'	25	24	22	23	24	25	24	23	22
2'	38	37	35	35	37	38	37	35	37
3'	42	42	41	41	42	42	41	41	42
4'	39	39	39	39	39	40	39	39	39
5'	33	34	34	34	34	34	34	33	34
6'	28	28	28	28	28	28	28	28	28
7'	22	23	23	23	23	23	23	23	22
8'	18	19	19	19	19	19	19	19	19
9'	16	16	16	16	16	16	16	16	16