

GRÜV® MINI EXTRUDED FLANGE

2.5" RECESSED LINEAR LED

APPLICATIONS:

Retail and commercial ambient lighting in wall to ceiling applications

CONSTRUCTION:

Extruded aluminum housing
Ceiling trim is high reflectance white finish

ELECTRICAL:

Electronic, multi-volt (120v-277v) constant current driver
Dimmable, 0-10v

This product complies with IEEE C62.41 for surge endurance up to 3KV. Amerlux recommends using additional surge protection with this unit (supplied by others), surge damage is not covered by warranty.

Emergency circuit via remote inverter or auxiliary emergency power supply (by others)

MOUNTING:

For use in sheet rock ceilings or walls only
Fixtures must be installed before finished ceiling or walls are installed

OPTICS:

5w/ft or 10w/ft
Color Temp: 2700K, 3000K, 3500K, 4000K
CRI: 80 typ
Life: 50,000 hrs
Lumen Maintenance: >70% of initial lumens @ 50,000 hrs
Lumen Output (perf lens, 3500K): 463 lm/ft (5w)
834 lm/ft (10w)

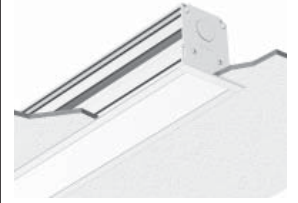
Extruded white acrylic lens, snap-in, 8" maximum section
Amerlux® exclusive white acrylic lens provides excellent transmission while effectively concealing lamp image
Specify either Designer Lens (DL), which provides flat even glow on lens or Performance Lens (PL), which provides higher efficiency with a greater linear hot spot on lens. Designer Lens is standard

LABELING:



For indoor use only

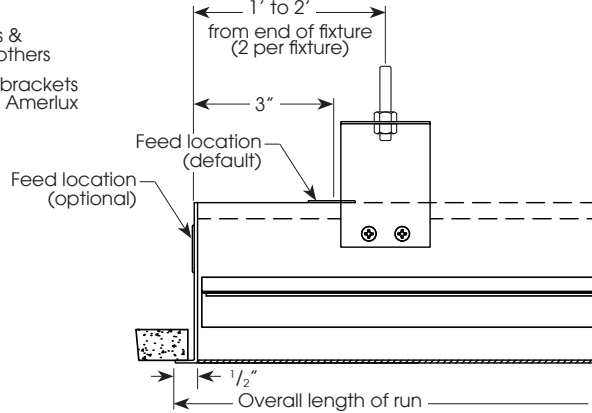
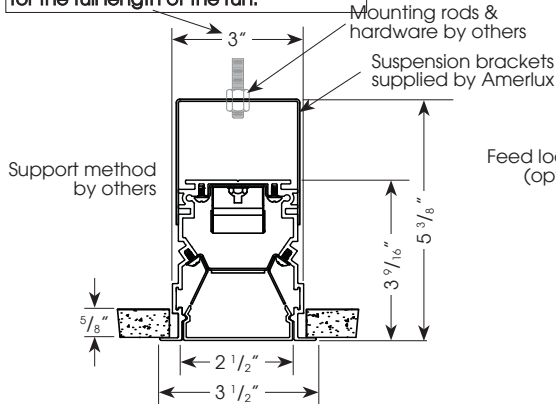
GRUVM-EX-FLANGE
LED



PROJECT:

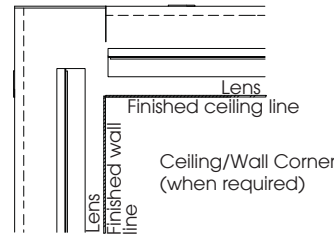
TYPE:

This dimension must be held by installer for the full length of the run.



ELECTRICAL

Driver	Wattage per foot	Lamping				
		4'		8'		
		System watts	Amps	System watts	Amps	
Electronic	5	120v	21.7	0.18	43.8	0.36
		277v	24.1	0.10	44.6	0.16
	10	120v	47.3	0.39	94.6	0.78
		277v	47.6	0.18	95.2	0.36



Enlighted Sensor (optional)

10 year limited warranty
AMERLUX LED

(see website for details)

ORDERING INFORMATION:

Model	Lens	Wattage Per Foot	Lamp Type	Color Temp	Finish	Voltage	Length	Mounting	Options/Accessories
GRUVM-EX-FLANGE	DL - designer lens (standard) PL - performance lens	5 10	LED	2700 3000 3500 4000	HW - high reflectance white	120-277	4 - 4' 8 - 8' — continuous run (consult factory)	For Straight Runs IND - individual BOR - beginning of run MOR - middle of run EOR - end of run For Ceiling/Wall Corner BORWC - beginning of run, wall corner EORWC - end of run, wall corner BORCC - beginning of run, ceiling corner EORCC - end of run, ceiling corner	HILUME-DH - Lutron Hi-lume® 3 wire, 1% dim HILUME-ECO - Lutron Hi-lume® EcoSystem, 1% dim CP - Chicago Plenum ENLS - Enlighted Sensor

Example: GRUVM-EX-FLANGE-DL-5-LED-3500-HW-8-120-277-IND

Cat #:

Amerlux reserves the right to change details that do not affect overall function and performance.



GRÜV® MINI EXTRUDED FLANGE

2.5" RECESSED LINEAR LED

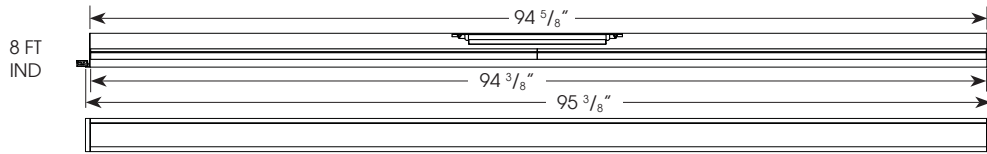
GRUVM-EX-FLANGE
LED



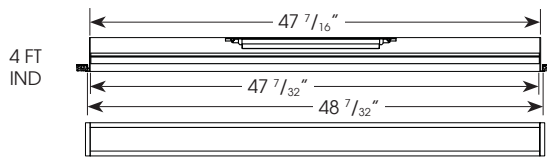
TYPE:



RUN LENGTHS:



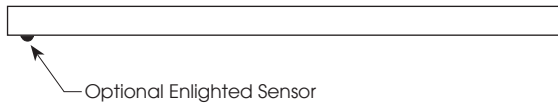
(8) 5w LED Boards



(4) 5w LED Boards

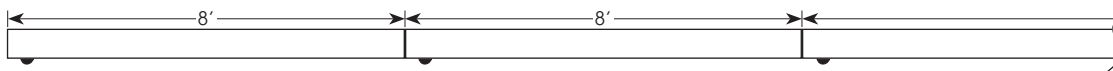
STANDARD PLACEMENT(S) FOR (OPTIONAL) ENLIGHTED SENSOR:

4 FT OR 8 FT DIRECT



Optional Enlighted Sensor

RUNS



GRÜV® MINI EXTRUDED FLANGE

2.5" RECESSED LINEAR LED



TYPE:



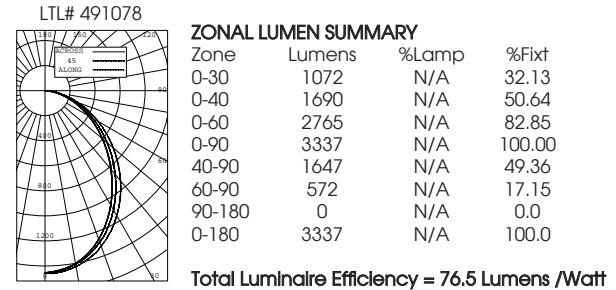
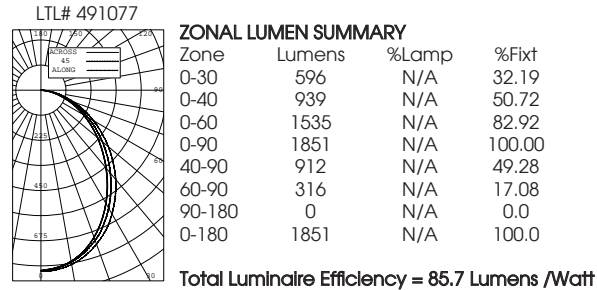
FIXTURE DATA:

Complete photometric data (.ies format) available upon request.

PERFORMANCE LENS:

GRÜV MINI 5W LED 4FT 3500K
SOURCE: 120 WHITE LEDS LUMENS: 1851
RECESSED

GRÜV MINI 10W LED 4FT 3500K
SOURCE: 120 WHITE LEDS LUMENS: 3337
RECESSED



COEFFICIENTS OF UTILIZATION

Effective Floor Cavity Reflectance 20%

RC	80			
RW	70	50	30	10
RCR				
0	1.19	1.19	1.19	1.19
1	1.10	1.06	1.02	0.99
2	1.02	0.95	0.89	0.84
3	0.94	0.85	0.77	0.72
4	0.87	0.76	0.69	0.63
5	0.81	0.69	0.61	0.55
6	0.75	0.62	0.54	0.48
7	0.69	0.56	0.48	0.43
8	0.64	0.51	0.46	0.38
9	0.60	0.47	0.39	0.34
10	0.55	0.43	0.35	0.30

COEFFICIENTS OF UTILIZATION

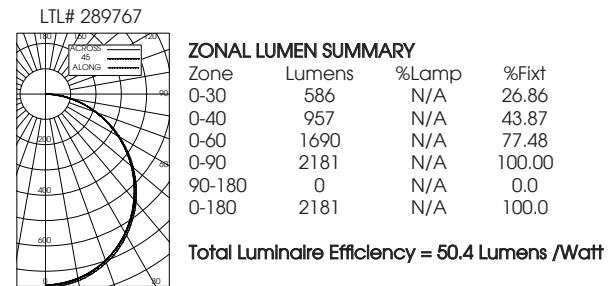
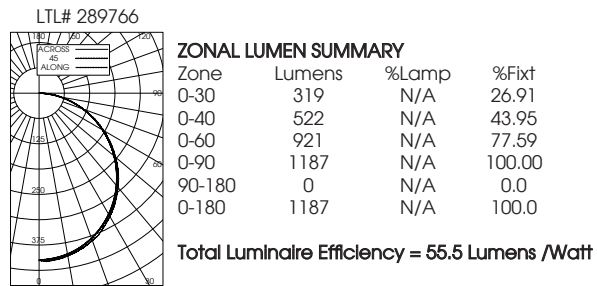
Effective Floor Cavity Reflectance 20%

RC	80			
RW	70	50	30	10
RCR				
0	1.19	1.19	1.19	1.19
1	1.10	1.06	1.02	0.99
2	1.02	0.95	0.89	0.84
3	0.94	0.85	0.77	0.72
4	0.87	0.76	0.69	0.63
5	0.81	0.69	0.61	0.55
6	0.75	0.62	0.54	0.48
7	0.69	0.56	0.48	0.43
8	0.64	0.51	0.43	0.38
9	0.60	0.47	0.39	0.34
10	0.55	0.43	0.35	0.30

DESIGNER LENS:

GRÜV MINI 5W LED 4FT 3500K
SOURCE: 120 WHITE LEDS LUMENS: 1187
RECESSED

GRÜV MINI 10W LED 4FT 3500K
SOURCE: 120 WHITE LEDS LUMENS: 2181
RECESSED



COEFFICIENTS OF UTILIZATION

Effective Floor Cavity Reflectance 20%

RC	80			
RW	70	50	30	10
RCR				
0	1.19	1.19	1.19	1.19
1	1.09	1.04	1.00	0.97
2	1.00	0.92	0.86	0.80
3	0.91	0.81	0.73	0.67
4	0.84	0.73	0.64	0.58
5	0.77	0.65	0.56	0.50
6	0.71	0.58	0.50	0.43
7	0.65	0.52	0.44	0.38
8	0.61	0.47	0.39	0.33
9	0.56	0.43	0.35	0.29
10	0.52	0.39	0.31	0.26

COEFFICIENTS OF UTILIZATION

Effective Floor Cavity Reflectance 20%

RC	80			
RW	70	50	30	10
RCR				
0	1.19	1.19	1.19	1.19
1	1.09	1.05	1.00	0.97
2	1.00	0.92	0.86	0.80
3	0.91	0.81	0.73	0.67
4	0.84	0.73	0.64	0.58
5	0.77	0.65	0.56	0.50
6	0.71	0.58	0.50	0.43
7	0.65	0.52	0.44	0.38
8	0.61	0.47	0.39	0.33
9	0.56	0.43	0.35	0.29
10	0.52	0.39	0.31	0.26