

GRÜV® 4" HIGH EFFICIENCY

RECESSED LINEAR LED, GRID

APPLICATION:

Retail and commercial recessed ambient lighting

CONSTRUCTION:

Steel housing
Extruded aluminum ceiling trim and die-cast ends
Die-formed, cold-rolled steel internal components and external housing

ELECTRICAL:

Electronic, multi-volt (120v-277v) constant current driver
Dimmable, 0-10v

This product complies with IEEE C62.41 for surge endurance up to 3KV. Amerlux® recommends using additional surge protection with this unit (supplied by others), surge damage is not covered by warranty

Emergency circuit via remote inverter or auxiliary emergency power supply (by others)

LABELING:



For indoor use only

OPTICS:

5w/ft or 10w/ft
Color Temp: 2700K, 3000K, 3500K, 4000K
CRI: 80 typ
Life: 50,000 hrs
Lumen Maintenance: >70% of initial lumens @ 50,000 hrs
Lumen Output (per lens, 3500K): 443 lm/ft (5w)
809 lm/ft (10w)

Extruded white acrylic lens, snap-in, 8' maximum section
Amerlux exclusive white acrylic lens provides excellent transmission while effectively concealing lamp image
Specify either Designer Lens (DL), which provides flat even glow on lens or Performance Lens (PL), which provides higher efficiency with a greater linear hot spot on lens. Designer Lens is standard

MOUNTING:

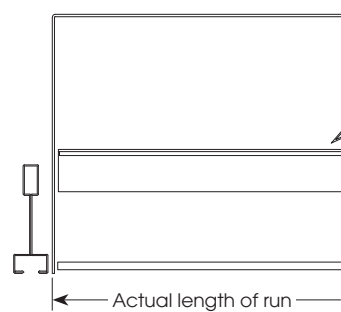
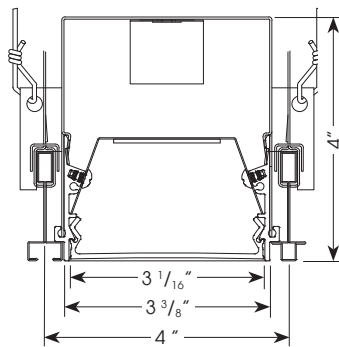
For use in 9/16" slot grid or 9/16" flat tee grid ceilings
4" TechZone compatible
Note: Not for use in 15/16 T-grid ceilings

GRÜV4-HE-GRID
LED



PROJECT:

TYPE:



ELECTRICAL

Driver	Wattage per foot	Lamping						
		4'		8'				
		System watts	Amps	System watts	Amps			
Electronic	5	120v	21.7	0.18	43.8	0.36		
		277v	24.1	0.10	44.6	0.16		
	10	120v	47.3	0.39	94.6	0.78		
		277v	47.6	0.18	95.2	0.36		

ORDERING INFORMATION:

Model	Lens	Wattage Per Foot	Lamp Type	Color Temp	Finish	Voltage	Length	Configuration	Options/Accessories
GRUV4-HE-GRID	DL - designer lens (standard)	5	LED	2700	HW - high reflectance	120/277	4 - 4' 8 - 8'	IND - individual BOR - beginning of run MOR - middle of run EOR - end of run	HILUME-DH - Lutron Hi-lume® 3 wire, 1% dim HILUME-ECO - Lutron Hi-lume® EcoSystem, 1% dim CP - Chicago Plenum (CCEA) ENLS - Enlighted Sensor S+ - standard plus
	PL - performance lens	10		3000 3500 4000	white		— - continuous run (consult factory)		

Example: GRUV4-HE-GRID-DL-5-LED-3500-HW-120/277-4-IND

Cat #:


Electrostatic sensitive device, observe precautions for handling


(see next page for details)


Enlighted Sensor (optional)

10 year limited warranty
AMERLUX LED
(see website for details)

Amerlux reserves the right to change details that do not affect overall function and performance.



QUICKSHIP GRÜV® 4" HIGH EFFICIENCY RECESSED LINEAR LED, GRID

GRÜV4-HE-GRID
LED

Amerlux® QuickShip makes it possible not only to keep up with expectations, but to keep ahead of them. We help enhance your competitive edge, ensuring you can start installation more quickly than you thought possible.

We can ship within 5-10 business days of your Amerlux QuickShip order, depending upon the selection.

- **QuickShip must be clearly marked on all P.O.'s.**
- **Must note on P.O. if requesting frames ship first.**
- **Standard shipping terms apply.**
- **See terms & conditions below.**

Quantity: 50 pieces or less
10 days



PROJECT:

TYPE:

QUICKSHIP ORDERING INFORMATION:

Model	Lens	Wattage per Foot	Lamp Type	Color Temp	Finish	Voltage	Length	Mounting	Options
GRUV-HE-GRID	PL - performance lens	5 10	LED	3000 3500	HW - high reflectance white	120/277	4 - 4'	IND - individual	CP - Chicago Plenum (CCEA)

Complete **QuickShip** Example: GRUV-HE-GRID-PL-5-LED-3000-HW-120/277-4-IND

Cat #:

Terms & Conditions

1. For QuickShip processing, please submit QuickShip items on separate purchase order and indicate "QuickShip" on order.
2. Configurations outside of what is displayed on the QuickShip program are not available under the QuickShip lead times.
3. Please contact Customer Support to process orders with quantities larger than those listed.
4. Orders will be entered within 24 hours of receipt of a clean purchase order. Lead times are calculated by business days from time of sales order confirmation. Orders will ship within QuickShip lead times or sooner.
5. Change orders and order cancellations cannot be processed after sales order confirmation is generated.
6. For freight allowed (greater than \$3,000), order will ship complete based on longest lead time item. Please indicate on PO if Partial Shipments are approved and indicate freight method. For partial shipments under \$3,000, customer will be invoiced for freight.
7. All Lead times indicate when the fixture ships from Amerlux®. Arrival at destination is contingent upon carrier.

Expedite your orders by providing:

- **Separate purchase order noting "QuickShip Program"**
- **Complete and accurate configurations**
- **Accurate pricing, quote number, shipping and contact information**

Amerlux reserves the right to modify this program at any time.

GRÜV® 4" HIGH EFFICIENCY

RECESSED LINEAR LED, GRID

GRÜV4-HE-GRID
LED

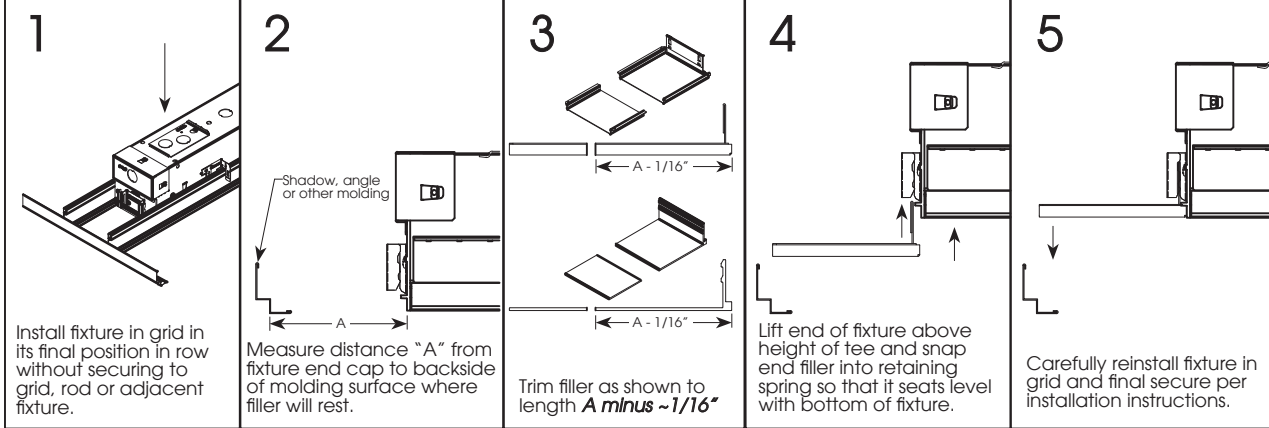


TYPE:

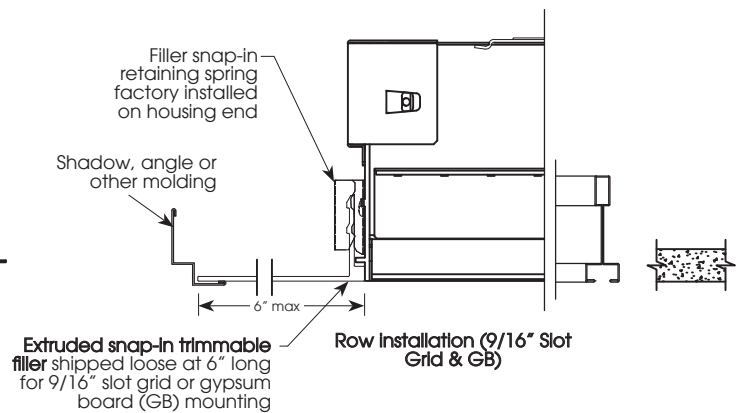
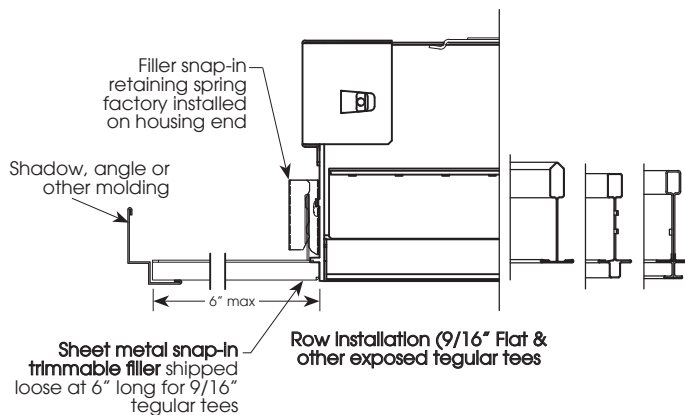
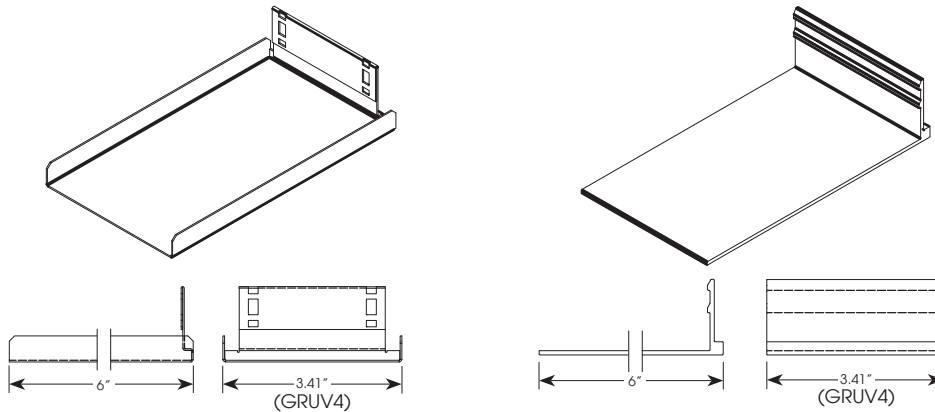


STANDARD PLUS (FILLER):

FILLER TRIM AND INSTALLATION (GRUV 1.5 GRID SHOWN HERE)



*For GB installation, cut extruded filler to field measured length and install in fixture as shown in step 4 above.



GRÜV® 4" HIGH EFFICIENCY

RECESSED LINEAR LED, GRID

GRÜV4-HE-GRID
LED

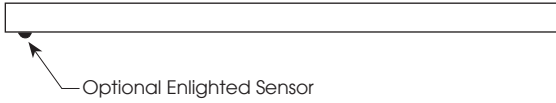


TYPE:

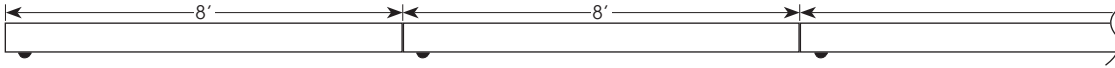


STANDARD PLACEMENT(S) FOR (OPTIONAL) ENLIGHTENED SENSOR:

4 FT OR 8 FT DIRECT



RUNS



GRÜV® 4" HIGH EFFICIENCY

RECESSED LINEAR LED, GRID

GRÜV4-HE-GRID
LED



TYPE:



FIXTURE DATA:

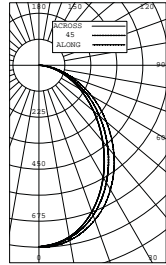
Complete photometric data (.ies format) available upon request.

PERFORMANCE LENS

GRÜV HE 5W LED 4FT 3500K
SOURCE: 120 WHITE LEDS LUMENS: 1771
RECESSED

GRÜV HE 10W LED 4FT 3500K
SOURCE: 120 WHITE LEDS LUMENS: 3234
RECESSED

LTL# 491075



ZONAL LUMEN SUMMARY

Zone	Lumens	%Fixt
0-30	576	32.51
0-40	904	51.08
0-60	1472	83.11
0-90	1771	100.00
40-90	866	48.92
60-90	299	16.89
90-180	0	0.00
0-180	1771	100.00

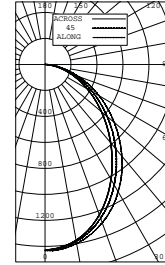
Total Luminaire Efficiency = 82.7 Lumens /Watt

COEFFICIENTS OF UTILIZATION

Effective Floor Cavity Reflectance 20%

RC	80			
RW	70	50	30	10
RCR				
0	1.19	1.19	1.19	1.19
1	1.10	1.06	1.03	0.99
2	1.02	0.95	0.89	0.84
3	0.94	0.85	0.78	0.72
4	0.87	0.77	0.69	0.63
5	0.81	0.69	0.61	0.55
6	0.75	0.63	0.54	0.49
7	0.69	0.56	0.48	0.43
8	0.64	0.51	0.44	0.38
9	0.60	0.47	0.39	0.34
10	0.56	0.43	0.35	0.30

LTL# 491076



ZONAL LUMEN SUMMARY

Zone	Lumens	%Fixt
0-30	1049	32.43
0-40	1648	50.98
0-60	2686	83.05
0-90	3234	100.00
40-90	1585	49.02
60-90	548	16.95
90-180	0	0.00
0-180	3234	100.00

Total Luminaire Efficiency = 76.5 Lumens /Watt

COEFFICIENTS OF UTILIZATION

Effective Floor Cavity Reflectance 20%

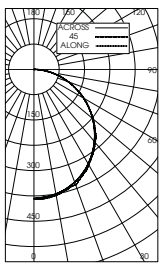
RC	80			
RW	70	50	30	10
RCR				
0	1.19	1.19	1.19	1.19
1	1.10	1.06	1.03	0.99
2	1.02	0.95	0.89	0.84
3	0.94	0.85	0.78	0.72
4	0.87	0.77	0.69	0.63
5	0.81	0.69	0.61	0.55
6	0.75	0.62	0.54	0.49
7	0.69	0.56	0.48	0.43
8	0.64	0.51	0.44	0.38
9	0.60	0.47	0.39	0.34
10	0.56	0.43	0.35	0.30

DESIGNER LENS

GRÜV HE 5W LED 4FT 3500K
SOURCE: 120 WHITE LEDS LUMENS: 1113
RECESSED

GRÜV HE 10W LED 4FT 3500K
SOURCE: 120 WHITE LEDS LUMENS: 2053
RECESSED

LTL# 289630



ZONAL LUMEN SUMMARY

Zone	Lumens	%Fixt
0-30	298	26.76
0-40	487	43.75
0-60	861	77.42
0-90	1113	99.98
40-90	626	56.23
60-90	251	22.56
90-180	0	0.02
0-180	1113	100.00

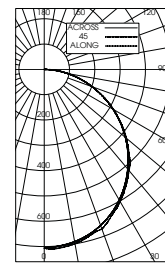
Total Luminaire Efficiency = 51.7 Lumens /Watt

COEFFICIENTS OF UTILIZATION

Effective Floor Cavity Reflectance 20%

RC	80			
RW	70	50	30	10
RCR				
0	1.19	1.19	1.19	1.19
1	1.09	1.05	1.00	0.97
2	1.00	0.92	0.86	0.80
3	0.91	0.81	0.73	0.67
4	0.84	0.73	0.64	0.58
5	0.77	0.65	0.56	0.50
6	0.71	0.58	0.49	0.43
7	0.65	0.52	0.43	0.38
8	0.61	0.47	0.39	0.33
9	0.56	0.43	0.35	0.29
10	0.52	0.39	0.31	0.26

LTL# 289631



ZONAL LUMEN SUMMARY

Zone	Lumens	%Fixt
0-30	549	26.73
0-40	897	43.71
0-60	1588	77.35
0-90	2052	99.97
40-90	1115	56.26
60-90	464	22.62
90-180	1	0.03
0-180	2053	100.00

Total Luminaire Efficiency = 47.1 Lumens /Watt

COEFFICIENTS OF UTILIZATION

Effective Floor Cavity Reflectance 20%

RC	80			
RW	70	50	30	10
RCR				
0	1.19	1.19	1.19	1.19
1	1.09	1.04	1.00	0.97
2	1.00	0.92	0.86	0.80
3	0.91	0.81	0.73	0.67
4	0.84	0.73	0.64	0.58
5	0.77	0.65	0.56	0.50
6	0.71	0.58	0.49	0.43
7	0.65	0.52	0.43	0.38
8	0.61	0.47	0.39	0.33
9	0.56	0.43	0.35	0.29
10	0.52	0.39	0.31	0.26