

# FINO®

## ASYMMETRIC WALL MOUNT INDIRECT LED

### APPLICATIONS:

Commercial and hospitality wall mounted indirect lighting for washing ceiling or floor

### CONSTRUCTION:

2 pc construction: 5/8" deep extruded aluminum mud-in frame with gear and snap-in extruded aluminum optical assembly  
 Fixture lengths available in 6" increments (minimum 1')  
 Extruded latching system for hairline seams  
 Field replaceable LED board

### OPTICS:

6w/ft or 12w/ft LED boards  
 Color Temp: 2700K, 3000K, 3500K, 4000K  
 CRI: 80 typ  
 Life: 50,000 hrs  
 Lumen Maintenance: >70% of initial lumens @ 50,000 hrs  
 Lumen Output (3500K): 533 lm/ft (6w), 1013 lm/ft (12w)  
 Engineered optical performance lens with internal asymmetric high reflectance white reflector (standard)  
 Optional Amerlux® exclusive designer lens for softer beam edges

### ELECTRICAL:

Electronic constant current LED driver, 36" min., 8'-0" max. per driver. Must daisy chain min. 36" of fixture for short runs (driver on 1st fixture, daisy chain to others).  
 120v or 277v input  
 0-10v dimming to 10%, driver is accessible by removing LED module  
**This product complies with IEEE C62.41 for surge endurance up to 2.5KV. Amerlux recommends using additional surge protection with this unit (supplied by others), surge damage is not covered by warranty.**

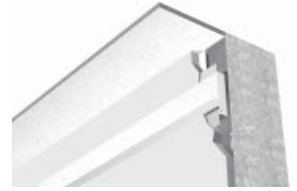
### MOUNTING:

For use in sheet rock walls  
 Extruded latching system for hairline seams

### LABELING:

 For indoor use only  
 IC rated  
 Damp location  
 Not for use in fire rated walls

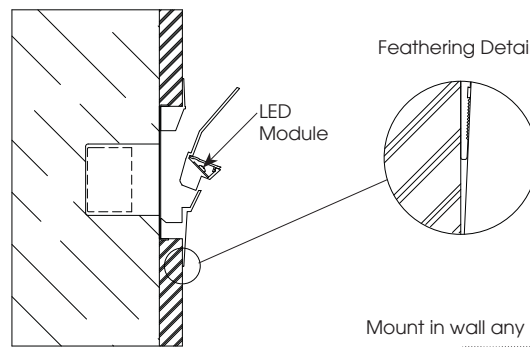
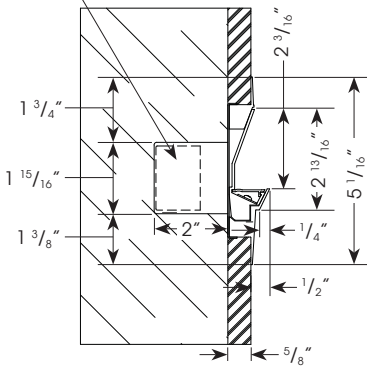
FINO  
LED



PROJECT:

TYPE:

Driver Compartment, fits between studs, sliding lateral adjustment (14 3/8" long)



Cut Out Dimension:  
 4' fixture = 3 5/8" x 4'  
 Continuous runs = 3 5/8" x fixture length + 1"

### ELECTRICAL

Electronic driver

Wattage per foot		4'		8'	
		System watts	Amps	System watts	Amps
6	120v	24	0.20	48	0.40
	277v	24	0.09	48	0.17
12	120v	48	0.40	96	0.80
	277V	48	0.17	96	0.35

Mount in wall any orientation

Uplight

Downlight



**10** year limited warranty  
 AMERLUX LED  
 (see website for details)

### ORDERING INFORMATION:

Model	Wattage Per Foot	Lamp Type	Color Temp	Finish	Voltage	Length	Configuration	Options/Accessories
FINO	6	LED	2700	HW - high reflectance white	120/277	1'	IND - individual	DL - Amerlux® designer lens
	12		3000			2'	CON - continuous	HILUME - Lutron Hi-lume® dimming driver
			3500			3'	runs in excess	
			4000			4'	of 8'	
						5'		
						6'		
						7'		
						8'		

— - specify run length (min. 6" increments)

\*Note - For 12w fixtures - Due to driver limitations, not all output & length configurations are possible. Please consult factory.

Example: FINO-6-LED-3500-HW-120-4-IND

Cat #:

Amerlux reserves the right to change details that do not affect overall function and performance.

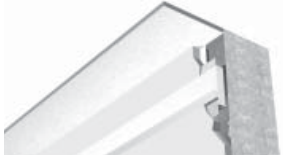


# FINO®

## ASYMMETRIC WALL MOUNT INDIRECT LED



TYPE:

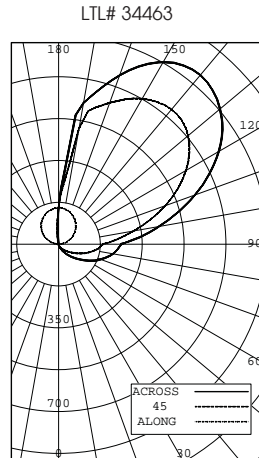
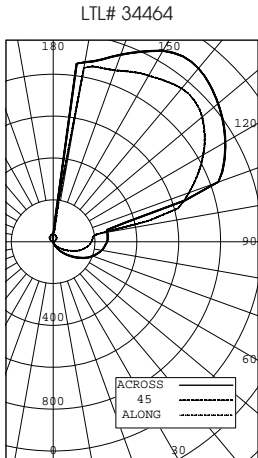


**FIXTURE DATA:** For 12 data, multiply by 1.9

Complete photometric data (.ies format) available upon request.

FINO 6W/FT LED 4' IND  
SOURCE: 120 WHITE LEDS LUMENS/FT: 533 (3500K)  
RECESSED

FINO 6W/FT LED 4' IND WITH DESIGNER LENS  
SOURCE: 120 WHITE LEDS LUMENS/FT: 442 (3500K)  
RECESSED



**ZONAL LUMEN SUMMARY**

Zone	Lumens	%Lamp	%Fixt
0-30	2	N/A	0.11
0-40	9	N/A	0.44
0-60	56	N/A	2.63
0-90	255	N/A	11.97
40-90	246	N/A	11.52
60-90	199	N/A	9.34
90-180	1877	N/A	88.03
0-180	2132	N/A	100.0

**ZONAL LUMEN SUMMARY**

Zone	Lumens	%Lamp	%Fixt
0-30	2	N/A	0.12
0-40	8	N/A	0.47
0-60	49	N/A	2.76
0-90	237	N/A	13.42
40-90	229	N/A	12.95
60-90	189	N/A	10.66
90-180	1532	N/A	86.58
0-180	1769	N/A	100.0

Total Luminaire Efficacy = 82.6 lumens/watt

Total Luminaire Efficacy = 68.6 lumens/watt

**COEFFICIENTS OF UTILIZATION**

Effective Floor Cavity Reflectance 20%

RC	80			
RW	70	50	30	10
RCR				
0	0.98	0.98	0.98	0.98
1	0.87	0.83	0.78	0.74
2	0.79	0.71	0.64	0.59
3	0.71	0.62	0.54	0.48
4	0.65	0.54	0.46	0.40
5	0.59	0.47	0.40	0.34
6	0.54	0.42	0.34	0.29
7	0.50	0.38	0.30	0.24
8	0.46	0.34	0.26	0.21
9	0.42	0.31	0.23	0.18
10	0.39	0.28	0.21	0.16

**COEFFICIENTS OF UTILIZATION**

Effective Floor Cavity Reflectance 20%

RC	80			
RW	70	50	30	10
RCR				
0	0.98	0.98	0.98	0.98
1	0.87	0.82	0.78	0.74
2	0.79	0.70	0.64	0.58
3	0.71	0.61	0.54	0.48
4	0.65	0.54	0.46	0.40
5	0.59	0.47	0.39	0.33
6	0.54	0.42	0.34	0.28
7	0.50	0.37	0.30	0.24
8	0.46	0.34	0.26	0.21
9	0.42	0.30	0.23	0.18
10	0.39	0.28	0.21	0.16