

GRÜV FLARE REGRESSED

RECESSED LINEAR LED, FLANGED

GRUV-FR-FLG
LED

APPLICATIONS:

Retail and commercial ambient lighting

CONSTRUCTION:

Steel housing
Die-formed cold-rolled steel internal wiring chassis
High reflectance white extruded aluminum ceiling trim

OPTICS:

5w/ft or 10w/ft LED board
Color temps: 2700K, 3000K, 3500K, 4000K
Amerlux proprietary extruded white acrylic snap-in lens (Designer) provides for maximum light output while concealing lamp image, standard. Optional Performance Lens available.

ELECTRICAL:

Electronic, multi-voltage: 120v/277v driver
0-10v dimming standard
Lutron Hi-lume® dimming available

MOUNTING:

Gypsum board mounting or middle of tile installation

LABELING:

approved to UL standards as tested by
 us CSA

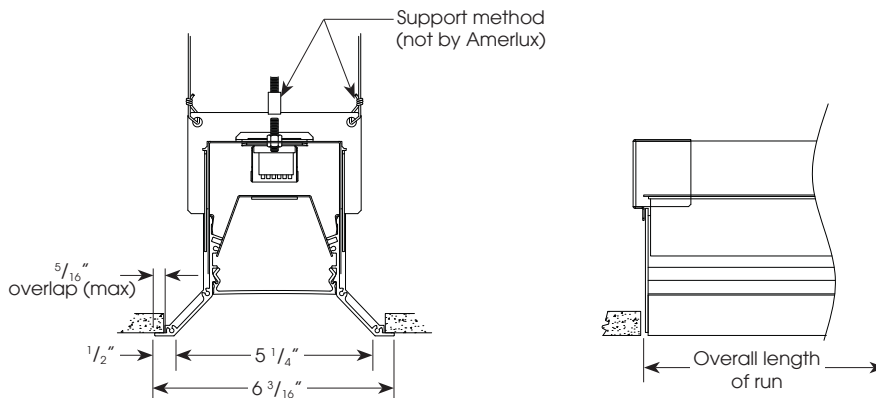


PROJECT:

TYPE:



Electrostatic sensitive device,
observe precautions for
handling



ELECTRICAL

Driver	Wattage per foot	Lamping						
		4'		8'				
		System watts	Amps	System watts	Amps			
Electronic	5	120v	21	.18	42	.35		
		277v	21	.08	42	.15		
	10	120v	43	.36	86	.72		
		277v	43	.16	86	.31		

ORDERING INFORMATION:

Model	Lens	Wattage Per Foot	Lamp Type	Color Temp	Finish	Voltage	Length	Configuration	Options/Accessories
GRUV-FR-FLG	DL - designer lens (standard) PL - performance lens	5 10	LED	2700 3000 3500 4000	HW - high reflectance white	120 277	4' 8' (runs in 4' increments)	IND - individual BOR - beginning of run MOR - middle of run EOR - end of run	HILUME-DH - Lutron Hi-lume® 3 wire, 1% dim HILUME-ECO - Lutron Hi-lume® EcoSystem, 1% dim

Example: GRUV-FR-FLG-DL-10-LED-3000-HW-120-8-IND

Cat #:

Amerlux reserves the right to change details that do not affect overall function and performance.

