

GRÜV FLARE REGRESSED

RECESSED LINEAR LED, GRID

APPLICATIONS:

Retail and commercial ambient lighting

CONSTRUCTION:

Steel housing
Die-formed cold-rolled steel internal wiring chassis

OPTICS:

5w/ft or 10w/ft LED board
Color temps: 2700K, 3000K, 3500K, 4000K
Amerlux proprietary extruded white acrylic snap-in (Designer) lens provides for maximum light output while concealing lamp image, standard. Optional Performance Lens available

ELECTRICAL:

Electronic, multi-voltage: 120v/277v driver
0-10v dimming standard
Lutron Hi-lume® dimming available

MOUNTING:

For use in grid ceilings
6" TechZone/Logix compatible

LABELING:

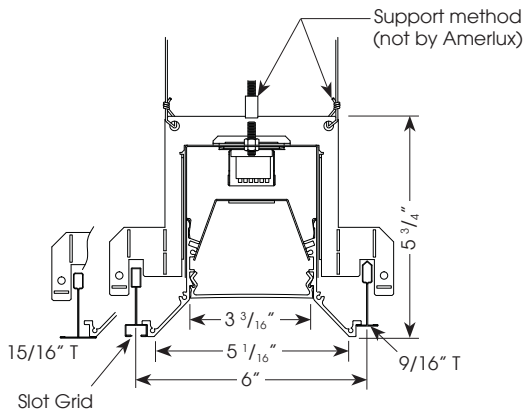
approved to UL standards as tested by
  approved to UL standards as tested by

GRUV-FR-GRID
LED

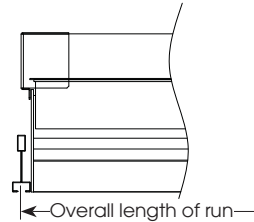


PROJECT:

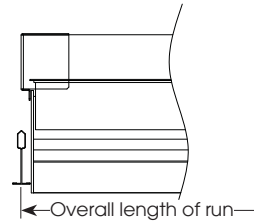
TYPE:



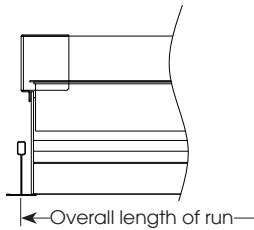
Flat end detail,
Slot Grid
(standard tile)



Flat end detail,
9/16"
(tegular tile)



Flat end detail,
15/16"
(standard tile)



ELECTRICAL

Driver	Wattage per foot	Lamping					
		4'		8'			
		System watts	Amps	System watts	Amps		
Electronic	5	120v	21	.18	42	.35	
		277v	21	.08	42	.15	
	10	120v	43	.36	86	.72	
		277v	43	.16	86	.31	

ORDERING INFORMATION:

Model	Lens	Wattage Per Foot	Lamp Type	Color Temp	Finish	Voltage	Length	Configuration	Options/Accessories
GRUV-FR-GRID	DL - designer lens (standard) PL - performance lens	5 10	LED	2700 3000 3500 4000	HW - high reflectance white	120 277	4' 8' (runs in 4' increments)	IND - individual BOR - beginning of run MOR - middle of run EOR - end of run	HILUME-DH - Lutron Hi-lume® 3 wire, 1% dim HILUME-ECO - Lutron Hi-lume® EcoSystem, 1% dim

Example: GRUV-FR-GRID-DL-10-LED-3000-HW-120-8-IND

Cat #:

Amerlux reserves the right to change details that do not affect overall function and performance.

Amerlux®, LLC • 178 Bauer Drive, Oakland, NJ 07436 • P: 973.882.5010 F: 973-882.2605 • www.amerlux.com

LIT-1400 rev 6/16

