

GRÜV® 6" HIGH EFFICIENCY

RECESSED LINEAR LED, GYPSUM BOARD

APPLICATION:

Retail and commercial recessed ambient lighting

CONSTRUCTION:

Steel housing
Extruded aluminum ceiling trim
Die-formed, cold-rolled steel internal components and external housing

OPTICS:

5w/ft or 10w/ft, 3500K LED's standard
Other color temps available
Extruded white acrylic lens, snap-in, 8' maximum section
Amerlux exclusive white acrylic lens provides excellent transmission while effectively concealing lamp image
Specify either Designer Lens (DL), which provides flat even glow on lens or Performance Lens (PL), which provides higher efficiency with a greater linear hot spot on lens. Designer Lens is standard

ELECTRICAL:

Electronic, multi-volt (120v-277v) constant current driver
Dimmable, 0-10v

This product complies with IEEE C62.41 for surge endurance up to 3KV. Amerlux recommends using additional surge protection with this unit (supplied by others), surge damage is not covered by warranty
Emergency circuit via remote inverter or auxiliary emergency power supply (by others)

MOUNTING:

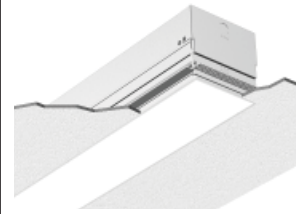
For use in gypsum board ceilings
For individual or continuous row applications
Fixture installed before ceiling

LABELING:



For indoor use only

GRÜV6-HE-GB
LED



PROJECT:

TYPE:



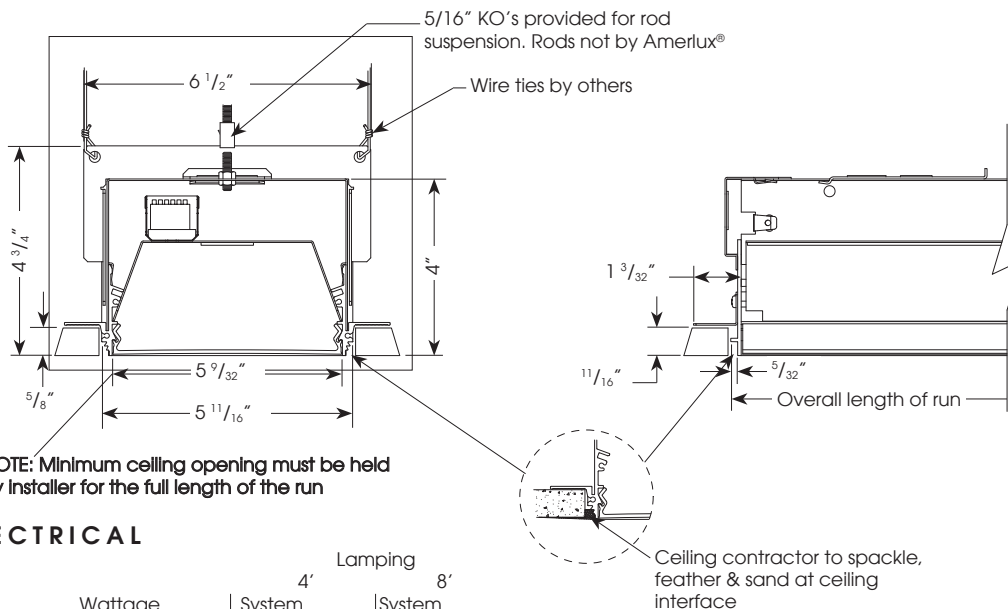
Electrostatic sensitive device, observe precautions for handling



Enlightened Sensor (optional)

10 year limited warranty
AMERLUX LED

(see website for details)



ELECTRICAL

Driver	Wattage per foot	System volts	Lamping 4'		Lamping 8'	
			System watts	Amps	System watts	Amps
Electronic	5	120v	21.7	0.18	43.8	0.36
		277v	24.1	0.10	44.6	0.16
	10	120v	47.3	0.39	94.6	0.78
		277v	47.6	0.18	95.2	0.36

ORDERING INFORMATION:

Model	Lens	Wattage Per Foot	Lamp Type	Color Temp	Finish	Voltage	Length	Configuration	Options/Accessories
GRUV6-HE-GB	DL - designer lens (standard)	5	LED	2700	HW - high reflectance white	120/277	4 - 4'	IND - individual BOR - beginning of run MOR - middle of run EOR - end of run	HILUME-DH - Lutron Hi-lume® 3 wire, 1% dim HILUME-ECO - Lutron Hi-lume® EcoSystem, 1% dim CP - Chicago Plenum ENLS - Enlightened Sensor S+ - standard plus
	PL - performance lens	10		3000 3500 4000			8 - 8' — - continuous run (consult factory)		

Example: GRUV6-HE-GB-DL-5-LED-3500-HW-120/277-4-IND

Cat #:

Amerlux reserves the right to change details that do not affect overall function and performance.



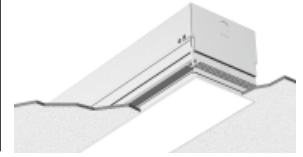
GRÜV® 6" HIGH EFFICIENCY

RECESSED LINEAR LED, GYPSUM BOARD

GRÜV6-HE-GB
LED

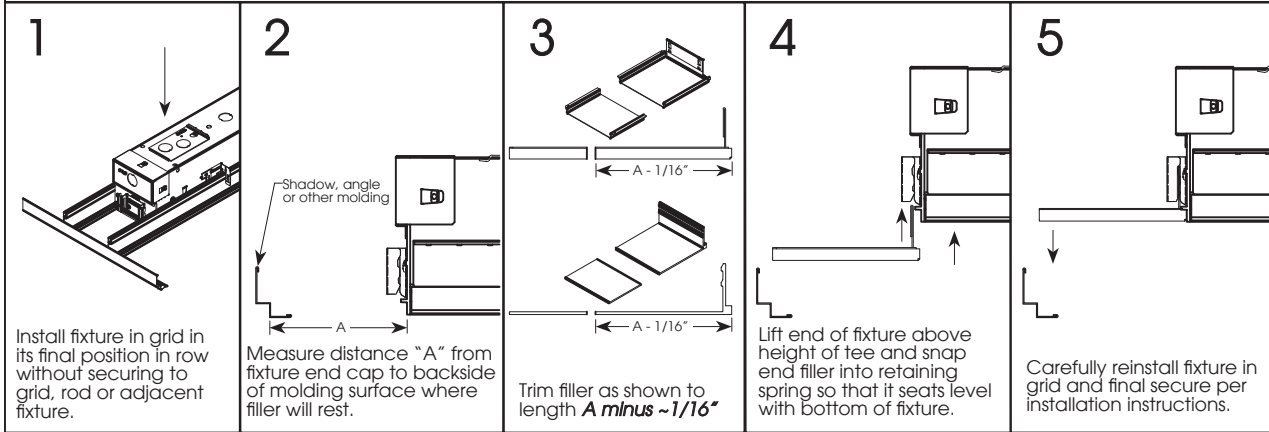


TYPE:

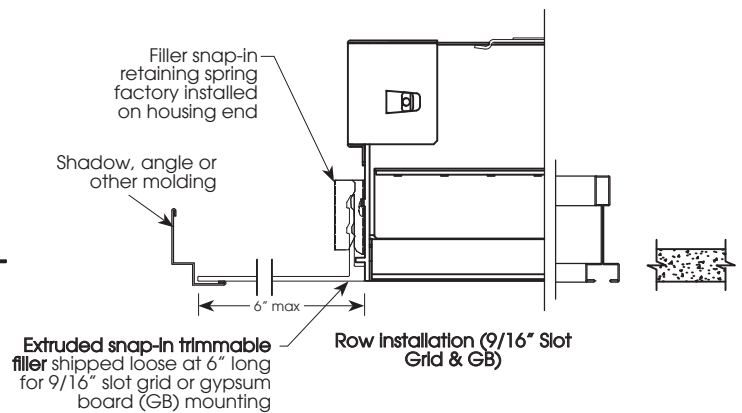
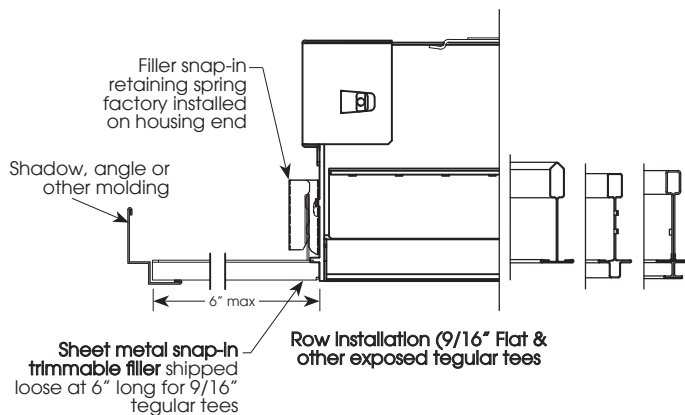
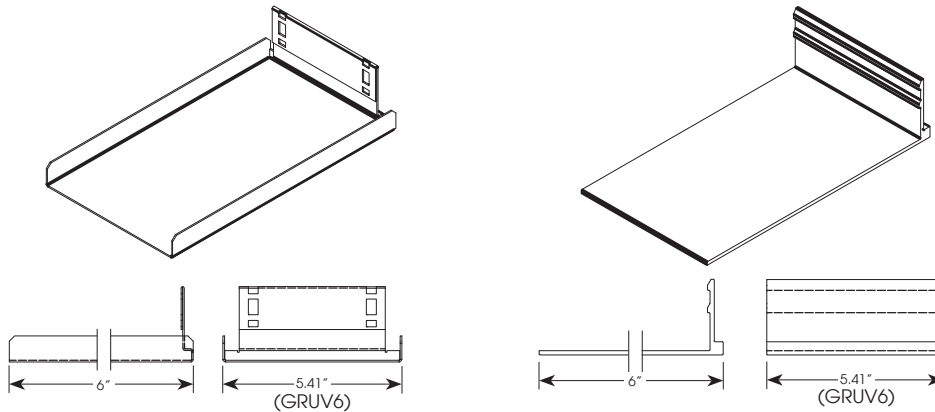


STANDARD PLUS (FILLER):

FILLER TRIM AND INSTALLATION (GRUV 1.5 GRID SHOWN HERE)



*For GB installation, cut extruded filler to field measured length and install in fixture as shown in step 4 above.



GRÜV® 6" HIGH EFFICIENCY

RECESSED LINEAR LED, GYPSUM BOARD

GRÜV6-HE-GB
LED

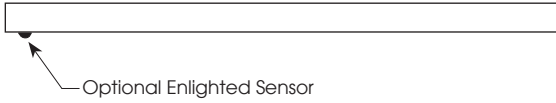


TYPE:

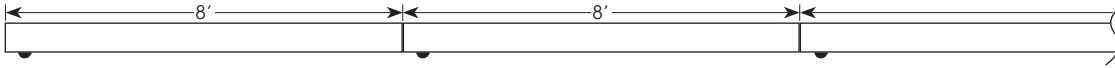


STANDARD PLACEMENT(S) FOR (OPTIONAL) ENLIGHTENED SENSOR:

4 FT OR 8 FT DIRECT



RUNS



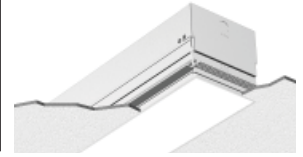
GRÜV® 6" HIGH EFFICIENCY

RECESSED LINEAR LED, GYPSUM BOARD

GRÜV6-HE-GB
LED



TYPE:



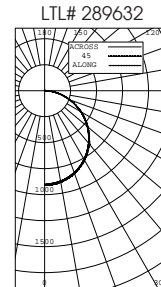
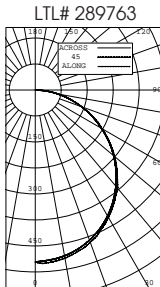
FIXTURE DATA:

Complete photometric data (.ies format) available upon request.

DESIGNER LENS

GRÜV HE 5W LED 4FT 3500K
SOURCE: 120 WHITE LEDS LUMENS: 1445
RECESSED

GRÜV HE 10W LED 4FT 3500K
SOURCE: 120 WHITE LEDS LUMENS: 2632
RECESSED



ZONAL LUMEN SUMMARY

Zone	Lumens	%Lamp	%Fixt
0-30	386	N/A	26.69
0-40	631	N/A	43.68
0-60	1118	N/A	77.35
0-90	1445	N/A	99.97
40-90	813	N/A	56.29
60-90	327	N/A	22.62
90-180	0	N/A	0.0
0-180	1445	N/A	100.0

ZONAL LUMEN SUMMARY

Zone	Lumens	%Lamp	%Fixt
0-30	702	N/A	26.67
0-40	1149	N/A	43.64
0-60	2034	N/A	77.29
0-90	2631	N/A	99.96
40-90	1482	N/A	56.32
60-90	597	N/A	22.67
90-180	1	N/A	0.04
0-180	2632	N/A	100.0

Total Luminaire Efficiency = 66.3 Lumens /Watt

Total Luminaire Efficiency = 60.0 Lumens /Watt

COEFFICIENTS OF UTILIZATION

Effective Floor Cavity Reflectance 20%

RC	80			
RW	70	50	30	10
RCR				
0	1.19	1.19	1.19	1.19
1	1.09	1.04	1.00	0.97
2	1.00	0.92	0.86	0.80
3	0.91	0.81	0.73	0.67
4	0.84	0.73	0.64	0.58
5	0.77	0.65	0.56	0.50
6	0.71	0.58	0.49	0.43
7	0.65	0.52	0.43	0.38
8	0.61	0.47	0.39	0.33
9	0.56	0.43	0.35	0.29
10	0.52	0.39	0.31	0.26

COEFFICIENTS OF UTILIZATION

Effective Floor Cavity Reflectance 20%

RC	80			
RW	70	50	30	10
RCR				
0	1.19	1.19	1.19	1.19
1	1.09	1.04	1.00	0.97
2	1.00	0.92	0.86	0.80
3	0.91	0.81	0.73	0.67
4	0.84	0.73	0.64	0.58
5	0.77	0.65	0.56	0.50
6	0.71	0.58	0.49	0.43
7	0.65	0.52	0.43	0.38
8	0.61	0.47	0.39	0.33
9	0.56	0.43	0.35	0.29
10	0.52	0.39	0.31	0.26