

# CYLINDRIX® III VERTICAL

## LED TRACK HEAD

C3TV-A14  
LED

### APPLICATION:

Retail, supermarket and commercial accent & display lighting

### CONSTRUCTION:

Die-cast aluminum heat sink and optic housing  
Powder coat paint, custom colors available, consult factory  
Passive cooling

### ELECTRICAL:

Electronic constant current LED driver  
120v or 277v input

ELV and Triac dimming standard, 120v or 277v.

**This product complies with IEEE C62.41 for surge endurance up to 2.5KV. Amerlux® recommends using additional surge protection with this unit (supplied by others), surge damage is not covered by warranty.**

### MOUNTING:

Track, canopy, c-clamp and busway

**Note: Ceiling mounted track only**

### OPTICS:

LED cluster

Color Temp Options: 2700K, 3000K, 3500K, 4000K

CRI: 83 typ. (2700K, 3000K, 3500K, 4000K)

90+ typ. (2700K, 3000K)

CrispWhite LED available

R9 Values: 11 (83CRI), 55 (90+CRI)

Life: 50,000 hrs

Lumen Maintenance: >70% of initial lumens @ 50,000 hrs

Lumen Output (31w): SP 2,345; FL 2,227; WF 2,264

CBCP (31w): SP 18,677; FL 8,683; WF 4,223

LPW: Up to 75 lpw

0-90° tilt, 360° rotation

Beam options: Spot 15°, Flood 25°, Wide Flood 40°

Field interchangeable spun aluminum reflectors

### LABELING:

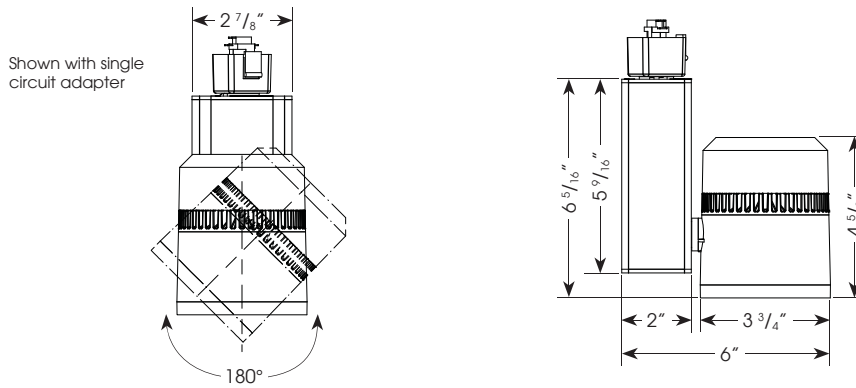


For indoor use only



PROJECT:

TYPE:



  
Electrostatic sensitive device,  
observe precautions for  
handling



(see next page for details)

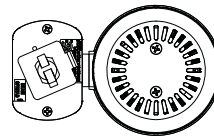


(see page 4)

### ELECTRICAL

Electronic driver

	16w		19w		23w		27w		31w	
	System Watts	Amps	System Watts	Amps	System Watts	Amps	System Watts	Amps	System Watts	Amps
120v	16	0.13	19	0.16	23	0.19	27	0.23	31	0.26
277v	16	0.06	19	0.07	23	0.08	27	0.10	31	0.11



**5** year limited  
warranty  
AMERLUX LED

(see website for details)

### ORDERING INFORMATION:

Model	Wattage	Lamp Type	Finish	Mounting	Voltage	Beam Spread	Color Temp (CCT-CRI)	Options/Accessories
C3TV-A14	16	LED	WT - white	TN1 - Global GES 1cir/H-Style, 120v	120	SP - spot, 15°	27 - 2700K-83	SL - linear spread lens, requires snoot
	19		texture	TEK - Global TEK 2cir/2neut, 120v	277	FL - flood, 25°	30 - 3000K-83	CL - clear glass lens
	23		BT - black	TN3 - Global XTS 3cir, 120v		WF - wide flood, 40°	35 - 3500K-83	SOL - solite beam softening lens
	27		texture	TN2 - Global HTEK 2cir/2neut, 277v			40 - 4000K-83	SN - snoot, 3/4" deep (required when more than 1 accessory is used)
	31		ST - silver	CT - J-Style			279 - 2700K-90+	HEX - hexcell louver
			texture	LOL - L-Style			309 - 3000K-90+	CB - cross blade, requires snoot
			— (other RAL)	CPR - Capri adapter			359 - 3500K-90+	
				LLAB - Litelab Bus Run, 120v			409 - 4000K-90+	
				B - busway			CRISP - CrispWhite	
				C - canopy			3CLA - 3K Class A	
				CCL2 - C-clamp with				
				SCP - straight cord, 6'				
				CCP - coil cord, 5'				

Example: C3TV-A14-31-LED-WT-TN3-120-FL-30

Cat #:

Amerlux reserves the right to change details that do not affect overall function and performance.



# QUICKSHIP CYLINDRIX® III VERTICAL

LED TRACK HEAD

C3TV-A14  
LED

Amerlux® QuickShip makes it possible not only to keep up with expectations, but to keep ahead of them. We help enhance your competitive edge, ensuring you can start installation more quickly than you thought possible.

We can ship within 5-10 business days of your Amerlux QuickShip order, depending upon the selection.

- QuickShip must be clearly marked on all P.O.'s.
- Must note on P.O. if requesting frames ship first.
- Standard shipping terms apply.
- See terms & conditions below.

**Quantity:** 250 pieces or less  
5 days



PROJECT:

TYPE:

## QUICKSHIP ORDERING INFORMATION:

Model	Wattage	Lamp Type	Finish	Mounting	Voltage	Beam Spread	Color Temp (CCT-CRI)	Options/ Accessories
C3TV-A14	16	LED	WT - white	TN1 - Global GES 1cir/	120	SP - spot, 15°	30 - 3000K-83	N/A
	19		texture	H-style, 120v	277	FL - flood, 25°		
	23		BT - black	CT - J-style		WF - wide flood, 40°	309 - 3000K-90+	
	27		texture	LOL - L-style				
	31							

Complete **QuickShip** Example: C3TV-A14-16-LED-WT-TN1-120-SP-30

Cat #:

## Terms & Conditions

1. For QuickShip processing, please submit QuickShip items on separate purchase order and indicate "QuickShip" on order.
2. Configurations outside of what is displayed on the QuickShip program are not available under the QuickShip lead times.
3. Please contact Customer Support to process orders with quantities larger than those listed.
4. Orders will be entered within 24 hours of receipt of a clean purchase order. Lead times are calculated by business days from time of sales order confirmation. Orders will ship within QuickShip lead times or sooner.
5. Change orders and order cancellations cannot be processed after sales order confirmation is generated.
6. For freight allowed (greater than \$3,000), order will ship complete based on longest lead time item. Please indicate on PO if Partial Shipments are approved and indicate freight method. For partial shipments under \$3,000, customer will be invoiced for freight.
7. All Lead times indicate when the fixture ships from Amerlux®. Arrival at destination is contingent upon carrier.

### Expedite your orders by providing:

- Separate purchase order noting "QuickShip Program"
- Complete and accurate configurations
- Accurate pricing, quote number, shipping and contact information

**Amerlux reserves the right to modify this program at any time.**

# CYLINDRIX® III VERTICAL

LED TRACK HEAD

C3TV-A14  
LED



TYPE:

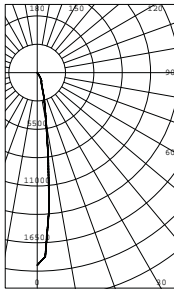


**FIXTURE DATA:** Multiplying Factors: 0.52 for 16w; 0.61 for 19w; 0.74 for 23w; 0.87 for 27w

Complete photometric data (ies format) available upon request.

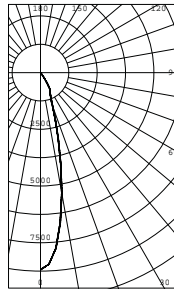
## 31W LED

SPOT  
DISTRIBUTION  
LTL # 851724



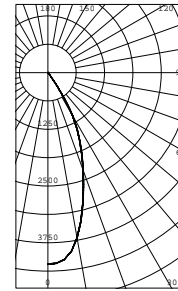
Candelas at Nadir	
Deg	Candela
0	18677
5	13251
15	2560
25	952
35	228
45	12

FLOOD  
DISTRIBUTION  
LTL # 851725



Candelas at Nadir	
Deg	Candela
0	8683
5	7773
15	3031
25	1009
35	253
45	20

WIDE FLOOD  
DISTRIBUTION  
LTL # 851726

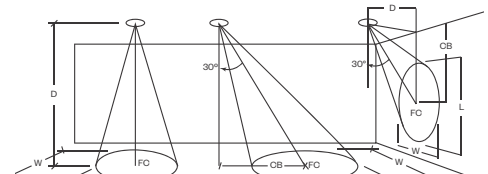


Candelas at Nadir	
Deg	Candela
0	4223
5	4139
15	2980
25	1658
35	323
45	26

## APPLICATION DATA:

### Notes and Definitions:

Beam spread is to 50% center beam candlepower (CBCP).  
 D=Distance to floor or wall.  
 FC=Footcandles on floor or wall at center beam aiming location.  
 L=Effective Visual Beam length in feet (50% of maximum footcandle level).  
 W=Effective Visual Beam width in feet (50% of maximum footcandle level).  
 CB=Distance across or down to center beam location.



	0° Aiming Angle Horizontal Footcandles				30° Aiming Angle Horizontal Footcandles				30° Aiming Angle Vertical Footcandles				60° Aiming Angle Vertical Footcandles						
	D	FC	L	W	D	FC	L	W	CB	D	FC	L	W	CB	D	FC	L	W	CB
SPOT	5.0'	745	1.3	1.3	5.0'	463	1.7	1.4	3.0	3.0'	279	2.9	1.4	5.0	3.0'	1010	1.4	1.1	2.0
	7.5'	332	1.7	1.7	7.5'	221	2.4	2.0	4.0	4.0'	168	3.7	1.7	6.0	4.0'	723	1.5	1.2	2.0
	10.0'	187	2.6	2.6	10.0'	116	3.4	3.0	5.0	5.0'	108	4.3	2.4	8.0	5.0'	465	1.7	1.4	3.0
	12.5'	120	3.1	3.1	12.5'	79	4.0	3.5	7.0	6.0'	75	5.3	2.8	9.0	6.0'	322	2.2	1.6	3.0
FLOOD	5.0'	347	2.1	2.1	5.0'	217	2.8	2.5	3.0	3.0'	168	3.6	2.1	4.0	3.0'	524	2.2	1.4	2.0
	7.5'	154	3.2	3.2	7.5'	104	3.9	3.5	4.0	4.0'	93	4.7	2.9	5.0	4.0'	369	2.1	1.8	2.0
	10.0'	87	4.1	4.1	10.0'	59	5.2	4.7	5.0	5.0'	60	5.8	3.6	7.0	5.0'	218	2.8	2.5	3.0
	12.5'	56	5.2	5.2	12.5'	38	6.6	5.8	6.0	6.0'	42	7.1	4.3	8.0	6.0'	164	3.2	2.9	3.0
WIDE FLOOD	5.0'	169	3.4	3.4	5.0'	126	3.9	3.6	2.0	3.0'	118	3.6	3.0	3.0	3.0'	335	2.5	2.2	1.0
	7.5'	76	5.1	5.1	7.5'	56	5.9	5.4	3.0	4.0'	67	4.7	4.0	4.0	4.0'	189	3.3	3.1	2.0
	10.0'	43	6.8	6.8	10.0'	32	8.0	7.3	4.0	5.0'	43	6.1	5.0	5.0	5.0'	127	4.0	3.6	2.0
	12.5'	27	8.5	8.5	12.5'	20	10.0	9.2	5.0	6.0'	30	7.4	6.0	6.0	6.0'	84	5.0	4.6	3.0

# CYLINDRIX® III VERTICAL

LED TRACK HEAD

C3TV-A14  
LED



TYPE:



ENERGY STAR APPROVED MODEL NUMBERS:



## Certificate of Conformance

### Energy Efficiency Certification

UL conducted an independent evaluation on behalf of:

**AMERLUX L L C**

23 Daniel Rd, Fairfield, NJ 07004-2527

for the following products:

Directional Luminaires

Brand: Amerlux

Model: See Appendix A

This product meets all of the necessary qualifications pursuant to:

ENERGY STAR®: Program Requirements for Luminaires, Version 2.0



2017-04-05

Certification Date

N/A

Certification Revision Date

*Amr. C. 2/12*

Issued by

11650992

UL Product Number

00-VS-F0418, Version 3.0, This is to certify that representative samples of the Certified Product(s) listed above have been investigated by UL to the Standard(s) indicated on this certificate, in accordance with the UL Global Services Agreement and the EEC Terms & Conditions ("Agreement"). The Certificate Holder is entitled to use the UL Energy Verified Mark for the Certified Product(s) listed on the certificate and manufactured at the production site(s) covered by the UL Test Report, in accordance with the terms of the Agreement. This Certificate shall remain valid unless a Standard identified on this Certificate is amended or withdrawn prior to that date or these is a non-compliance with the Agreement.

#### Appendix A

Model Name	Model Number	Family Model(s) - Additional Model Number
C3TV	C3TV-A14-##-LED-**-***-###-**-2700-##	C3TV-A14-##-LED-**-***-###-**-3000-##
		C3TV-A14-##-LED-**-***-###-**-3500-##
		C3TV-A14-##-LED-**-***-###-**-4000-##
		C3TH-A14-##-LED-**-***-###-**-2700-##
		C3TH-A14-##-LED-**-***-###-**-3000-##
		C3TH-A14-##-LED-**-***-###-**-3500-##
		C3TH-A14-##-LED-**-***-###-**-4000-##
		C3TV-A14-##-LED-**-***-###-**-3000-##