

GRUV® 1.5"

RECESSED LINEAR LED

APPLICATION:

Retail and commercial recessed ambient lighting

CONSTRUCTION:

Extruded aluminum housing and trim
Die-formed, cold-rolled steel internal components and external housing

OPTICS:

5w/ft or 10w/ft
Various color temps available
Extruded white acrylic lens, snap-in, 8' maximum section
Amerlux® exclusive white acrylic lens provides excellent transmission while effectively concealing lamp image.

ELECTRICAL:

Electronic, multi-volt (120v-277v) constant current driver
Dimmable, 0-10v standard
This product complies with IEEE C62.41 for surge endurance up to 3KV. Amerlux recommends using additional surge protection with this unit (supplied by others), surge damage is not covered by warranty.
Emergency circuit via remote inverter or auxiliary emergency power supply (by others).

Driver	Wattage per foot		4'		8'	
			System watts	Amps	System watts	Amps
Electronic	5	120v	21	.18	42	.35
		277v	21	.08	42	.15
	10	120v	43	.36	86	.72
		277v	43	.16	86	.31

MOUNTING:

For use in gypsum board and grid ceilings
For individual or continuous row applications
Fixture installed before ceiling

LABELING:



For indoor use only

Note: Diagrams on page 2

GRUV1.5
LED



PROJECT:

TYPE:



Electrostatic sensitive device,
observe precautions for
handling



Enlighted Sensor
(optional)

10 year limited
warranty
AMERLUX LED

(see website for details)

ORDERING INFORMATION:

Model	Light Distr./Shielding	Wattage Per Foot	Lamp Type	Color Temp	Finish	Voltage	Length	Configuration	Options/Accessories
GRUV1.5-FLG	LD - lens direct SLD - straight blade	5 10	LED	2700 3000 3500 4000	HW - high reflectance white	120/277	4 - 4' 8 - 8'	IND - individual BOR - beginning of run MOR - middle of run EOR - end of run	HILUME-DH - Lutron Hi-Lume® 3 wire, 1% dim HILUME-ECO - Lutron Hi-Lume® EcoSystem, 1% dim CP - Chicago Plenum ENLS - Enlighted Sensor (not for GRUV1.5-FR)
GRUV1.5-FLG-GRID	louver direct with overlay, specify color: B (blk), S (slv), W (wh)						— - continuous run (consult factory)		
GRUV1.5-FR-GRID									
GRUV1.5-GB	ASY - asymmetric lens								
GRUV1.5-IS									
GRUV1.5-J/GRID									
GRUV1.5-J/GB									

Example: GRUV1.5-FR-GB-LD-10-LED-3500-HW-120/277-4-IND

Cat #:

Amerlux reserves the right to change details that do not affect overall function and performance.

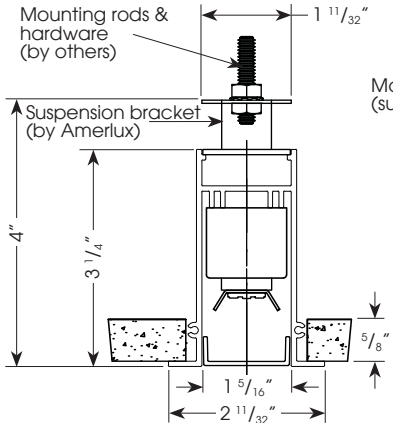
GRUV® 1.5"

RECESSED LINEAR LED

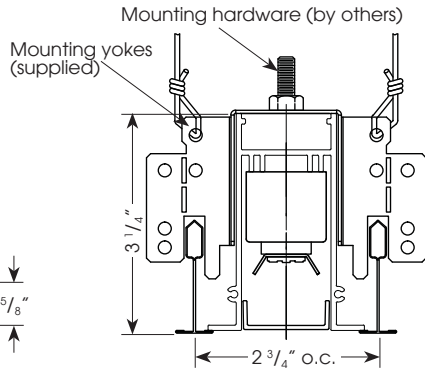
GRUV1.5
LED



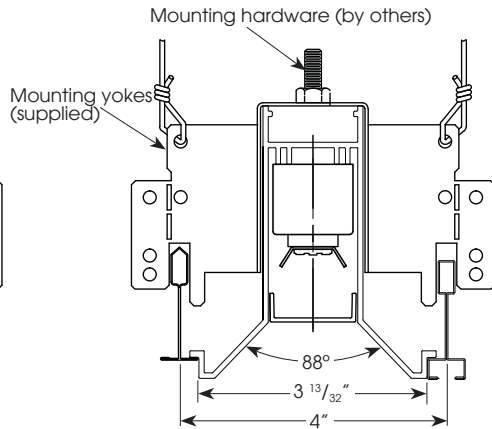
TYPE:



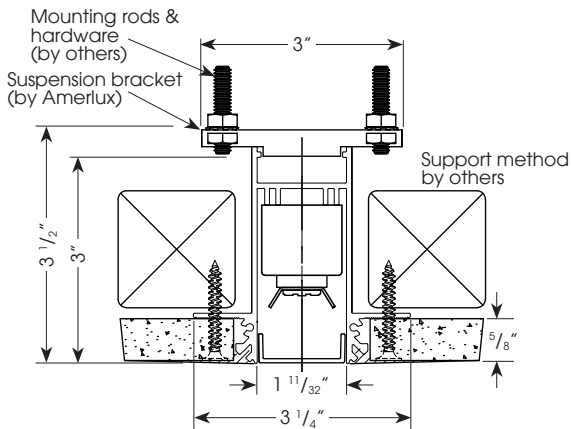
GRUV1.5-FLG



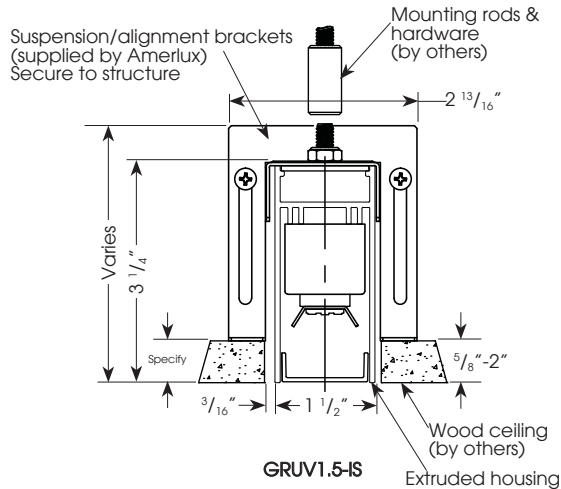
GRUV1.5-FLG-GRID



GRUV1.5-FR-GRID



GRUV1.5-GB

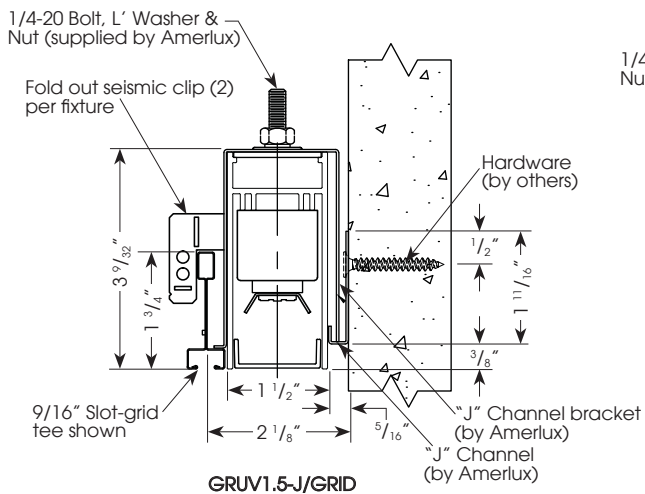


GRUV1.5-IS

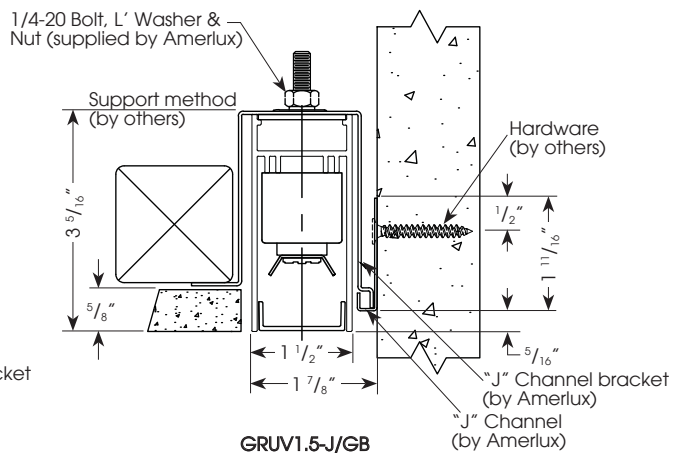
ASYMMETRIC LENS:



For Asymmetric distribution this should be opposite the wall



GRUV1.5-J/GRID



GRUV1.5-J/GB

GRUV® 1.5"

RECESSED LINEAR LED

GRUV1.5
LED

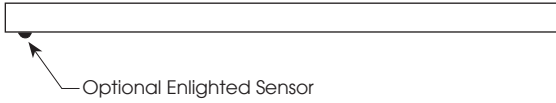


TYPE:

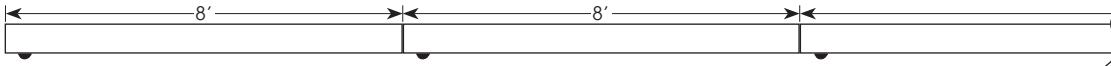


STANDARD PLACEMENT(S) FOR (OPTIONAL) ENLIGHTENED SENSOR:

4 FT OR 8 FT DIRECT



RUNS



GRUV® 1.5"

RECESSED LINEAR LED

GRUV1.5
LED



TYPE:



FIXTURE DATA:

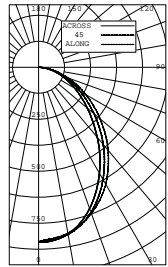
Complete photometric data (.ies format) available upon request.

LENS DIRECT

GRUV 1.5" 5W LED 4FT 3500K
SOURCE: 96 WHITE LEDS LUMENS: 1840
RECESSED

GRUV 1.5" 10W LED 4FT 3500K
SOURCE: 96 WHITE LEDS LUMENS: 3263
RECESSED

LTL# 695285



ZONAL LUMEN SUMMARY

Zone	Lumens	%Fixt
0-30	614	33.36
0-40	958	52.08
0-60	1535	83.42
0-90	1840	100.00
40-90	882	47.92
60-90	305	16.58
90-180	0	0.00
0-180	1840	100.00

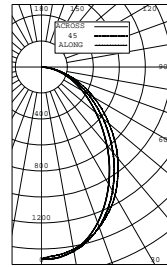
Efficacy = 87.6 Lumens /Watt

COEFFICIENTS OF UTILIZATION

Effective Floor Cavity Reflectance 20%

RC	80			
RW	70	50	30	10
RCR				
0	1.19	1.19	1.19	1.19
1	1.10	1.06	1.03	0.99
2	1.02	0.95	0.89	0.8
3	0.94	0.85	0.78	0.72
4	0.88	0.77	0.69	0.64
5	0.81	0.70	0.62	0.56
6	0.75	0.63	0.55	0.49
7	0.69	0.57	0.49	0.44
8	0.65	0.52	0.44	0.39
9	0.60	0.48	0.40	0.35
10	0.56	0.44	0.36	0.31

LTL# 695286



ZONAL LUMEN SUMMARY

Zone	Lumens	%Fixt
0-30	1082	33.16
0-40	1691	51.83
0-60	2716	83.25
0-90	3263	100.00
40-90	1572	48.17
60-90	547	16.75
90-180	0	0.00
0-180	3263	100.0

Efficacy = 78.4 Lumens /Watt

COEFFICIENTS OF UTILIZATION

Effective Floor Cavity Reflectance 20%

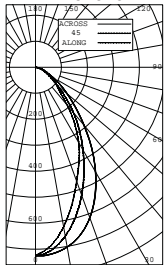
RC	80			
RW	70	50	30	10
RCR				
0	1.19	1.19	1.19	1.19
1	1.10	1.06	1.03	0.99
2	1.02	0.95	0.89	0.84
3	0.94	0.85	0.78	0.72
4	0.87	0.77	0.69	0.63
5	0.81	0.70	0.61	0.55
6	0.75	0.63	0.55	0.49
7	0.69	0.57	0.49	0.43
8	0.65	0.52	0.44	0.39
9	0.60	0.48	0.40	0.34
10	0.56	0.44	0.36	0.31

STRAIGHT BLADE LOUVER DIRECT

GRUV 1.5" 5W LED 4FT 3500K
SOURCE: 96 WHITE LEDS LUMENS: 909
RECESSED

GRUV 1.5" 10W LED 4FT 3500K
SOURCE: 96 WHITE LEDS LUMENS: 1599
RECESSED

LTL# 695287



ZONAL LUMEN SUMMARY

Zone	Lumens	%Fixt
0-30	443	48.71
0-40	633	69.58
0-60	842	92.63
0-90	909	100.00
40-90	277	30.42
60-90	67	7.37
90-180	0	0.00
0-180	909	100.00

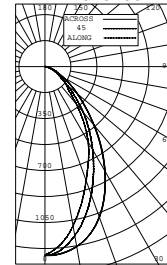
Efficacy = 43.3 Lumens /Watt

COEFFICIENTS OF UTILIZATION

Effective Floor Cavity Reflectance 20%

RC	80			
RW	70	50	30	10
RCR				
0	1.19	1.19	1.19	1.19
1	1.12	1.09	1.06	1.04
2	1.06	1.00	0.96	0.92
3	0.99	0.92	0.87	0.82
4	0.94	0.85	0.79	0.74
5	0.88	0.79	0.72	0.67
6	0.83	0.73	0.66	0.62
7	0.78	0.68	0.61	0.56
8	0.74	0.63	0.56	0.52
9	0.69	0.58	0.52	0.47
10	0.65	0.54	0.48	0.43

LTL# 695288



ZONAL LUMEN SUMMARY

Zone	Lumens	%Fixt
0-30	776	48.51
0-40	1109	69.33
0-60	1479	92.46
0-90	1599	100.00
40-90	491	30.67
60-90	121	7.54
90-180	0	0.00
0-180	1599	100.0

Efficacy = 38.4 Lumens /Watt

COEFFICIENTS OF UTILIZATION

Effective Floor Cavity Reflectance 20%

RC	80			
RW	70	50	30	10
RCR				
0	1.19	1.19	1.19	1.19
1	1.12	1.09	1.06	1.03
2	1.06	1.00	0.96	0.92
3	0.99	0.92	0.86	0.82
4	0.94	0.85	0.79	0.74
5	0.88	0.79	0.72	0.67
6	0.83	0.73	0.66	0.62
7	0.78	0.67	0.61	0.56
8	0.73	0.63	0.56	0.51
9	0.69	0.58	0.52	0.47
10	0.65	0.54	0.48	0.43

GRUV® 1.5"

RECESSED LINEAR LED

GRUV1.5
LED



TYPE:



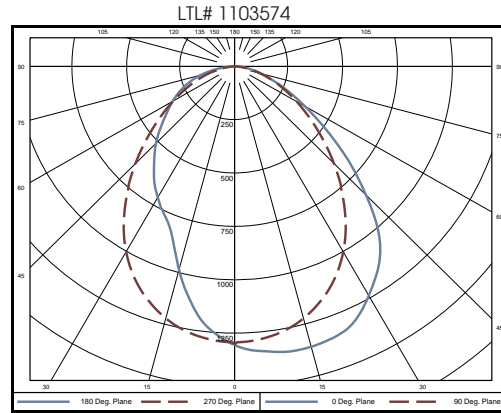
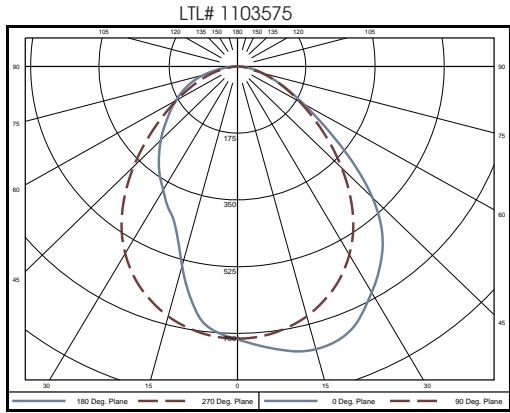
FIXTURE DATA:

Complete photometric data (ies format) available upon request.

ASYMMETRIC LENS

GRUV 1.5" 5W LED 4FT 3000K
SOURCE: 96 WHITE LEDS LUMENS: 1649
PENDANT

GRUV 1.5" 10W LED 4FT 3000K
SOURCE: 96 WHITE LEDS LUMENS: 3002
PENDANT



ZONAL LUMEN SUMMARY

Zone	Lumens	%Fixt
0-40	836	50.7
0-60	1376	83.4
0-90	1649	100.00
90-180	0	0.00

Efficacy = 85.4 Lumens /Watt

COEFFICIENTS OF UTILIZATION

Effective Floor Cavity Reflectance 20%

RC	80			
RW	70	50	30	10
RCR				
0	1963	1963	1963	1963
1	1807	1734	1668	1609
2	1654	1527	1421	1332
3	1517	1352	1225	1124
4	1395	1207	1069	964
5	1288	1085	943	839
6	1193	982	840	739
7	1109	894	755	658
8	1035	819	684	591
9	969	754	623	535
10	910	698	571	487

ZONAL LUMEN SUMMARY

Zone	Lumens	%Fixt
0-40	1508	50.2
0-60	2494	83.1
0-90	3002	100.00
90-180	0	0.00

Efficacy = 77.5 Lumens /Watt

COEFFICIENTS OF UTILIZATION

Effective Floor Cavity Reflectance 20%

RC	80			
RW	70	50	30	10
RCR				
0	3574	3574	3574	3574
1	3287	3153	3033	2925
2	3008	2774	2581	2419
3	2756	2456	2223	2038
4	2534	2190	1939	1746
5	2339	1968	1709	1518
6	2166	1780	1522	1336
7	2013	1621	1367	1188
8	1878	1484	1237	1067
9	1758	1366	1127	965
10	1651	1264	1033	879

GRUV® 1.5"

RECESSED LINEAR LED

GRUV1.5
LED



TYPE:



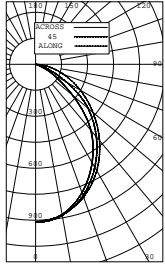
FIXTURE DATA:

Complete photometric data (.ies format) available upon request.

LENS DIRECT

GRUV 1.5" FLARE REGRESSED (FR) 5W LED 4FT 3500K
SOURCE: 96 WHITE LEDS LUMENS: 1866
RECESSED

LTL# 695280



ZONAL LUMEN SUMMARY

Zone	Lumens	%Fixt
0-30	669	35.82
0-40	1052	56.34
0-60	1665	89.19
0-90	1866	100.00
40-90	815	43.66
60-90	202	10.81
90-180	0	0.00
0-180	1866	100.00

Efficacy = 88.5 Lumens /Watt

COEFFICIENTS OF UTILIZATION

Effective Floor Cavity Reflectance 20%

RC	RW			
	70	50	30	10
0	1.19	1.19	1.19	1.19
1	1.11	1.08	1.05	1.02
2	1.04	0.98	0.92	0.88
3	0.96	0.88	0.81	0.76
4	0.90	0.80	0.73	0.67
5	0.83	0.73	0.65	0.59
6	0.77	0.66	0.58	0.53
7	0.72	0.60	0.52	0.47
8	0.67	0.54	0.47	0.42
9	0.62	0.50	0.42	0.37
10	0.58	0.46	0.38	0.33