

# ROOK 350 PENDANT

3.5" ROUND PENDANT, REMOTE DRIVER, LED

RK350-RD-REMOTE  
LED

**APPLICATIONS:**

Retail and commercial ambient/task lighting

**CONSTRUCTION:**

Extruded aluminum pendant  
Die-cast trim  
Extruded aluminum heat sink

**OPTICS:**

Hornet HP Downlight Trims (trimless) in various configurations

**LED:**

Color Temp Options: 2200K, 2700K, 3000K, 3500K, 4000K  
CRI: 83 typ. (2700K, 3000K, 3500K, 4000K)

90+ typ. (2200K, 2700K, 3000K)

Optional Amerlux CrispWhite technology

R9 Value: 11 (83CRI), 55 (90+CRI)

Binning: 3 MacAdam (SDMC)

Lumen Maintenance: >70% of initial lumens @ 50,000 hrs

Lumen Output: 1323 lm typ.

**ELECTRICAL:**

Electronic constant current LED driver mounted in canopy. 120v/277v input.

ELV and Triac dimming standard, 120v or 277v.

0-10v and Lutron systems also available. See following pages for more information.

**This product complies with IEEE C62.41 for surge endurance up to 2.5KV. Amerlux® recommends using additional surge protection with this unit (supplied by others), surge damage is not covered by warranty.**

**MOUNTING:**

Canopy/cord or rigid stem mounting

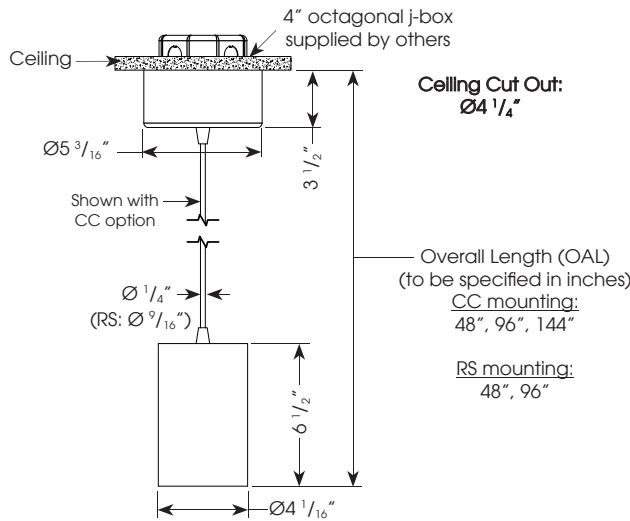
**LABELING:**



For indoor use only  
Damp location



PROJECT:  
  
TYPE:



Electrostatic sensitive device, observe precautions for handling

**ELECTRICAL**

Electronic driver

	16w System		18w System	
	Watts	Amps	Watts	Amps
120v	16	0.13	18	0.15
277v	16	0.06	18	0.06

**5** year limited warranty  
AMERLUX LED

(see website for details)

**ORDERING INFORMATION:**

Model	Wattage	Lamp Type	Housing Finish	Voltage	Mounting	Length (OAL)	Beam Spread	Trim Finish	Color Temp (CCT-CRI)	Options
RK350-RD-REMOTE	16 18	LED	MW - matte white MB - matte black SLV - matte silver	120/277	CC - canopy/cord RS - rigid stem	____ (inches) (see dimension parameters above; consult factory for other lengths)	SP - spot, 15° NF - narrow flood, 20° MFL - medium flood, 24° FL - flood, 28° WF - wide flood, 45° VWF - very wide flood, 60° LS - linear spread, 60° x 10°	MW - matte white MB - matte black SLV - matte silver	27 - 2700K-83 30 - 3000K-83 35 - 3500K-83 40 - 4000K-83  229 - 2200K-90+ 279 - 2700K-90+ 309 - 3000K-90+  CRISP - Crisp White (16W only)	HILUME-ECO - Lutron Hi-lume®/EcoSystem dimming (A series) HILUME-3WIRE - Lutron Hi-lume® 3 wire dimming (A series) 0-10V - 0-10v dimming, 1%

Complete Example: RK350-RD-REMOTE-18-LED-MW-120/277-CC-48-FL-MW-30

Cat #:

Amerlux reserves the right to change details that do not affect overall function and performance.



# ROOK 350 PENDANT

3.5" ROUND PENDANT, REMOTE DRIVER, LED

RK350-RD-REMOTE  
LED



TYPE:

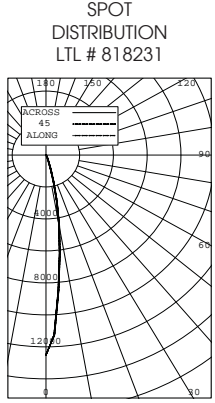


**FIXTURE DATA:** For 16W data, multiply by 0.89

Complete photometric data (ies format) available upon request.

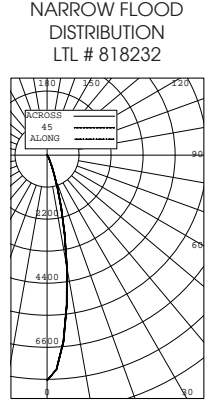
CCT Conversion Factor: 2700K-83 = 0.96; 3500K-83 = 1.02; 4000K-83 = 1.04; 2200K-90+ = 0.71; 2700-90+ = 0.80; 3000K-90+ = 0.83; CRISP = 0.65

## 18W LED 3000K



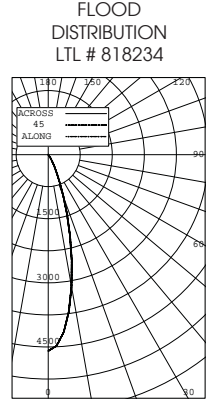
Candelas at Nadir

Deg	Candela
0	12508
5	8495
15	1754
25	190
35	32
45	3



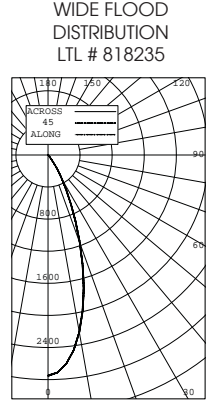
Candelas at Nadir

Deg	Candela
0	7734
5	6428
15	1866
25	277
35	45
45	4



Candelas at Nadir

Deg	Candela
0	4591
5	4168
15	1966
25	470
35	72
45	4



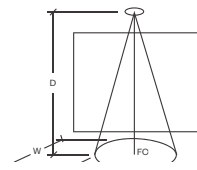
Candelas at Nadir

Deg	Candela
0	2751
5	2614
15	1719
25	676
35	141
45	7

## APPLICATION DATA:

### Notes and Definitions:

Beam spread is to 50% center beam candlepower (CBCP).  
 D=Distance to floor or wall.  
 FC=Footcandles on floor or wall at center beam aiming location.  
 L=Effective Visual Beam length in feet (50% of maximum footcandle level).  
 W=Effective Visual Beam width in feet (50% of maximum footcandle level).  
 CB=Distance across or down to center beam location.



0° Aiming Angle  
Horizontal Footcandles

	D	FC	L	W
SPOT	5.0'	483	1.4	1.4
	7.5'	223	1.9	1.9
	10.0'	124	2.7	2.7
	12.5'	80	3.3	3.3
NARROW FLOOD	5.0'	231	2.1	2.1
	7.5'	120	2.9	2.9
	10.0'	71	3.7	3.7
	12.5'	47	4.6	4.6
FLOOD	5.0'	150	2.7	2.7
	7.5'	74	3.6	3.6
	10.0'	43	4.8	4.8
	12.5'	28	5.8	5.8
WIDE FLOOD	5.0'	97	3.2	3.2
	7.5'	46	4.6	4.6
	10.0'	27	6.1	6.1
	12.5'	17	7.5	7.5

# ROOK 350 PENDANT

3.5" ROUND PENDANT, REMOTE DRIVER, LED

RK350-RD-REMOTE  
LED



TYPE:



## DIMMING COMPATIBILITY:

Amerlux® fixtures are compatible with all major dimming protocols prevalent in the United States. Please see below for general compatibilities and wiring diagrams. Amerlux recommends testing your unique dimming configuration as the exact full configuration (Dimmer, Fixture Quantity, Voltage, etc) may affect dimming performance.

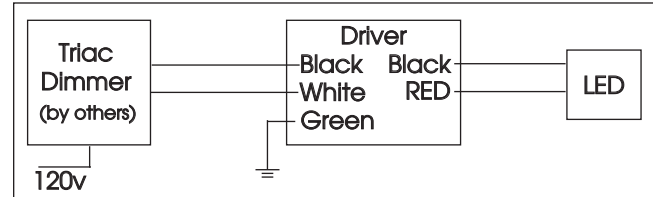
### TRIAC (Forward Phase) DIMMING (standard)

Utilizes "Standard" incandescent dimmers that are in wide use in installations across the US. Best for retrofit applications where Triac dimmers are installed.

#### Notes:

- 120v only
- Dims down to less than 5% light output (most cases)
- Consult Dimming manufacturer for installation instructions - DO NOT SHARE NEUTRALS!
- Must meet dimmer Minimum Load Requirements per dimming manufacturer

#### Wiring Diagram



#### Compatible Dimmers

##### Wall Box (Incandescent Style, Wattage as required)

Lutron "Diva"  
Lutron "Nova-T"  
Lutron "Maestro"

Lutron "Vareo"  
Lutron "Skylark"

##### Central System

ETC "SR" Rack w/D20 Module  
Lutron "GP" Panel

ETC "DRD" Rack w/D20 Module  
Lutron Grafix Eye QS

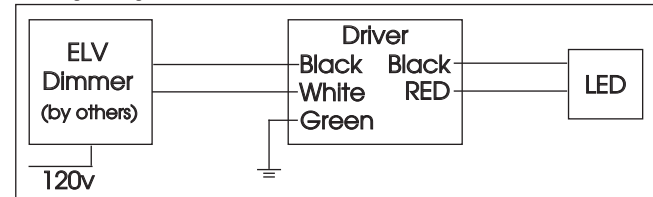
### ELV - Electronic Low Voltage (Reverse Phase) DIMMING (standard)

Utilizes specialized "ELV" dimmers. Best for New Construction applications

#### Notes:

- 120v only
- Dims down to less than 5% light output (most cases)
- Consult Dimming manufacturer for installation instructions - DO NOT SHARE NEUTRALS!
- Must meet dimmer Minimum Load Requirements

#### Wiring Diagram



#### Compatible Dimmers

##### Wall Box (ELV Style)

Lutron "Diva"  
Lutron "Nova-T"  
Lutron "Maestro"  
Leviton "Surslide"

Lutron "Vareo"  
Lutron "Skylark"  
Leviton "Vizio"

##### Central System

ETC "SR" Rack w/ELV10 Module  
Lutron "GP" Panel with PPHM-PA Interface

ETC "DRD" Rack w/ELV10 Module  
Lutron Grafix Eye QS with PPHM-PA Interface

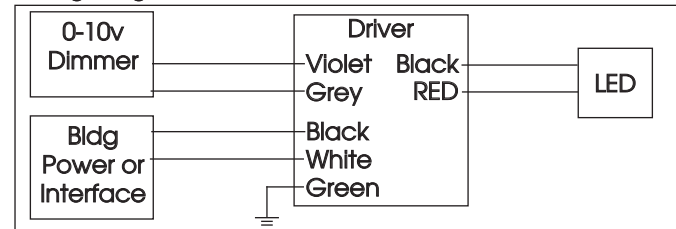
### 0-10V - DIMMING (-0-10V Option)

Integrates into a variety of building management and daylighting controls

#### Notes:

- 120v - 277v
- Dims down to 1% light output
- Requires interface to turn off power to driver
- Consult Dimming manufacturer for installation instructions - DO NOT SHARE NEUTRALS!

#### Wiring Diagram



#### Compatible Dimmers

##### Wall Box

Lutron "Diva" - DVTV with PP-120H Interface

Leviton Renoir II 0-10v

##### Central System

Lutron Grafix Eye with GRX-TVI Interface

# ROOK 350 PENDANT

3.5" ROUND PENDANT, REMOTE DRIVER, LED

RK350-RD-REMOTE  
LED



TYPE:



## LUTRON HI-LUME / ECO-SYSTEM (-HILUME Option)

Integrates into a variety of building management and daylighting controls

### Notes:

- 120v or 277v
- Dims down to 1% light output
- May use 3-Wire or Ecosystem Control
- Consult Dimming manufacturer for installation instructions - DO NOT SHARE NEUTRALS!

### Compatible Dimmers

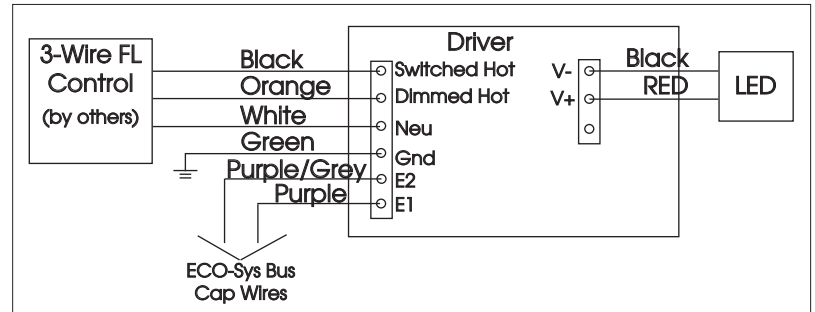
#### Wall Box (3-Wire Fluorescent)

DIVA  
Maestro  
Nova T  
Vareo

#### Central System

Lutron ECO-System compatible controls  
ETC "SR" Rack w/D20F Module  
ETC "DRD" Rack w/D20F Module

### 3-Wire Wiring Diagram



### ECO System Digital Control Wiring

