

# FINO® CEILING

## GRID CEILING MOUNT WALL WASH LED

FINO-CLG-  
GRID  
LED

### APPLICATIONS:

Commercial and hospitality grid ceiling mounted wall wash lighting

### CONSTRUCTION:

2 pc construction: 2" deep extruded aluminum & sheet metal mud-in frame & housing with gear and snap-in extruded aluminum optical assembly  
Fixture lengths available in 6" increments (minimum 2')  
Extruded latching system for hairline seams  
Field replaceable LED board

### OPTICS:

6w/ft or 12w/ft LED boards  
Color Temp: 2700K, 3000K, 3500K, 4000K  
CRI: 80 typ  
Life: 50,000 hrs  
Lumen Maintenance: >70% of initial lumens @ 50,000 hrs  
Lumen Output (3500K): 347 lm/ft (6w), 632 lm/ft (12w)  
Engineered optical performance lens with internal asymmetric high reflectance white reflector (standard)

### ELECTRICAL:

Electronic constant current LED driver  
120v or 277v input  
0-10v dimming to 1%, standard  
**This product complies with IEEE C62.41 for surge endurance up to 2.5KV. Amerlux® recommends using additional surge protection with this unit (supplied by others), surge damage is not covered by warranty.**

### MOUNTING:

For use in 9/16" slot grid or 9/16" flat tee grid ceilings  
4" TechZone compatible  
Note: Not for use in 15/16" T-grid ceilings  
Fixture placement:  
MIN: 18" from wall  
IDEAL: 24" from wall  
MAX: 36" from wall

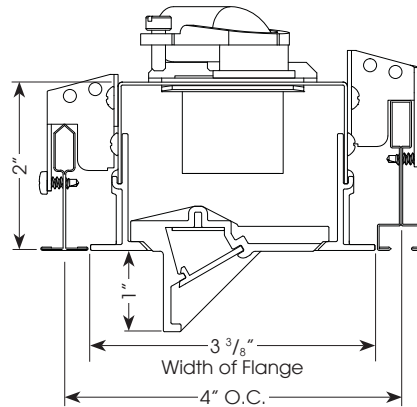
### LABELING:



For indoor use only  
IC rated  
Not for use if fire rated ceilings

PROJECT:

TYPE:



### ELECTRICAL

Electronic driver

Wattage per foot		4'		8'	
		System watts	Amps	System watts	Amps
6	120v	24	0.20	48	0.40
	277v	24	0.09	48	0.17
12	120v	48	0.40	96	0.80
	277V	48	0.17	96	0.35

**10** year limited  
warranty  
AMERLUX LED  
(see website for details)

### ORDERING INFORMATION:

Model	Wattage Per Foot	Lamp Type	Color Temp	Finish	Voltage	Length	Configuration	Options/Accessories
FINO-CLG-GRID	6 12	LED	2700 3000 3500 4000	HW - high reflectance white	120/277	2' 4' 5' 6' 8'	IND - individual CON - continuous runs in excess of 8', consult factory	HILUME - Lutron Hi-Lume® dimming

\*Note - For 12w fixtures - Due to driver limitations, not all output & length configurations are possible. Please consult factory.

Example: FINO-CLG-GRID-6-LED-3500-HW-120-4-IND

Cat #:

Amerlux reserves the right to change details that do not affect overall function and performance.

# FINO® CEILING

GRID CEILING MOUNT WALL WASH LED

FINO-CLG-  
GRID  
LED



TYPE:

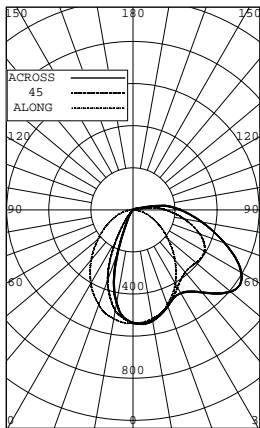
**FIXTURE DATA:**

Complete photometric data (.ies format) available upon request.

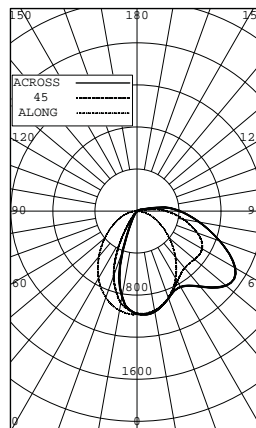
FINO CEILING 6W/FT LED 4' IND  
SOURCE: 112 WHITE LEDS LUMENS/FT: 347 (3500K)  
RECESSED

FINO 12W/FT LED 4' IND  
SOURCE: 112 WHITE LEDS LUMENS/FT: 632 (3500K)  
RECESSED

LTL# 627967



LTL# 629434



**ZONAL LUMEN SUMMARY**

Zone	Lumens	%Fixt
0-30	347	24.98
0-40	521	37.52
0-60	901	64.92
0-90	1323	95.28
40-90	802	57.76
60-90	421	30.36
90-180	66	4.72
0-180	1388	100.0

**ZONAL LUMEN SUMMARY**

Zone	Lumens	%Fixt
0-30	633	25.04
0-40	952	37.65
0-60	1648	65.17
0-90	2412	95.39
40-90	1460	57.73
60-90	764	30.21
90-180	117	4.61
0-180	2528	100.0

Total Luminaire Efficacy = 59.1 lumens/watt

Total Luminaire Efficacy = 51.2 lumens/watt

**COEFFICIENTS OF UTILIZATION**

Effective Floor Cavity Reflectance 20%

RC	80			
RW	70	50	30	10
RCR				
0	1.18	1.18	1.18	1.18
1	1.06	1.00	0.95	0.91
2	0.96	0.87	0.80	0.73
3	0.87	0.76	0.68	0.61
4	0.80	0.68	0.59	0.52
5	0.74	0.61	0.52	0.45
6	0.68	0.55	0.46	0.39
7	0.63	0.49	0.41	0.35
8	0.59	0.45	0.37	0.31
9	0.55	0.41	0.33	0.27
10	0.51	0.38	0.30	0.25

**COEFFICIENTS OF UTILIZATION**

Effective Floor Cavity Reflectance 20%

RC	80			
RW	70	50	30	10
RCR				
0	1.18	1.18	1.18	1.18
1	1.06	1.00	0.95	0.91
2	0.96	0.87	0.80	0.74
3	0.87	0.76	0.68	0.61
4	0.81	0.68	0.59	0.52
5	0.74	0.61	0.52	0.45
6	0.68	0.55	0.46	0.39
7	0.63	0.49	0.41	0.35
8	0.59	0.45	0.37	0.31
9	0.55	0.41	0.33	0.27
10	0.51	0.38	0.30	0.25