

CYLINDRIX® III HORIZONTAL

LED TRACK HEAD

C3TH-A14
LED

APPLICATION:

Retail, supermarket and commercial accent & display lighting

CONSTRUCTION:

Die-cast aluminum heat sink and optic housing
Passive cooling
Powder coat paint, custom colors available, consult factory

ELECTRICAL:

Electronic constant current LED driver
120v or 277v input
ELV and Triac dimming standard, 120v or 277v.
This product complies with IEEE C62.41 for surge endurance up to 2.5KV. Amerlux® recommends using additional surge protection with this unit (supplied by others), surge damage is not covered by warranty.

MOUNTING:

Track and busway
Note: Ceiling mounted track only

OPTICS:

LED cluster
Color Temp Options: 2700K, 3000K, 3500K, 4000K
CRI: 83 typ. (2700K, 3000K, 3500K, 4000K)
90+ typ. (2700K, 3000K)
CrispWhite LED available
R9 Values: 11 (83CRI), 55 (90+CRI)
Life: 50,000 hrs
Lumen Maintenance: >70% of initial lumens @ 50,000 hrs
Lumen Output (31w): NSP 2,426; SP 2,345; FL 2,227; WF 2,264
CBCP (31w): NSP 34,180; SP 18,677; FL 8,683; WF 4,223
LPW: Up to 79 lpw
0-90° tilt, 360° rotation
Beam options: Narrow Spot 10°, Spot 15°, Flood 25°, Wide Flood 40°
Field interchangeable spun aluminum reflectors

LABELING:

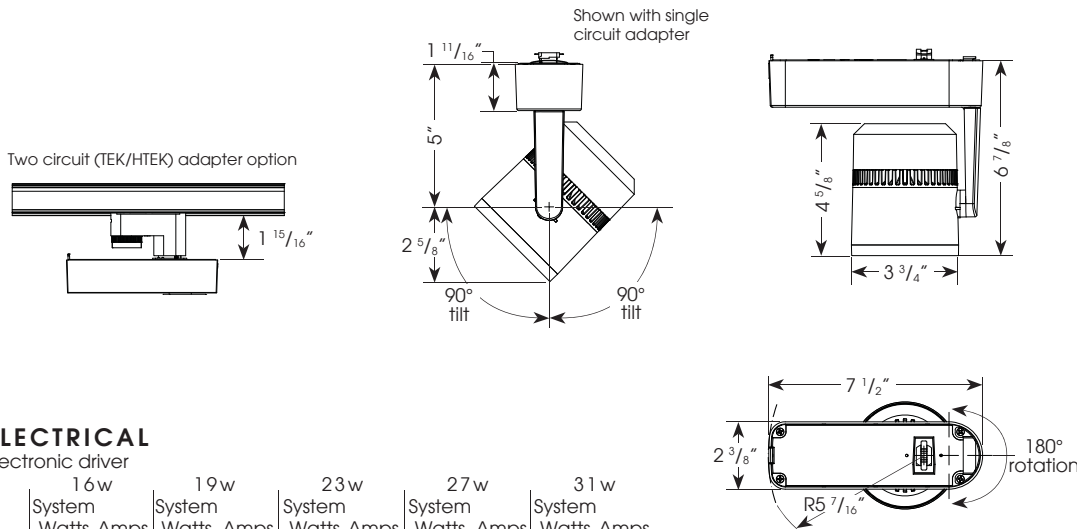


For indoor use only



PROJECT:

TYPE:



ELECTRICAL

Electronic driver

	16w		19w		23w		27w		31w	
	System Watts	Amps	System Watts	Amps	System Watts	Amps	System Watts	Amps	System Watts	Amps
120v	16	0.13	19	0.16	23	0.19	27	0.23	31	0.26
277v	16	0.06	19	0.07	23	0.08	27	0.10	31	0.11



(see next page for details)



(see page 3)



(see website for details)

ORDERING INFORMATION:

Model	Wattage	Lamp Type	Finish	Mounting	Voltage	Beam Spread	Color Temp (CCT-CRI)	Options/Accessories
C3TH-A14	16	LED	WT - white	TS1 - Global GES 1cir/H-Style, 120v	120	NSP - narrow spot, 10°	27 - 2700K-83	SL - linear spread lens, requires snoot
	19		texture	TJ1 - J-Style	277	SP - spot, 15°	30 - 3000K-83	
	23		BT - black	TL1 - L-Style		FL - flood, 25°	35 - 3500K-83	CL - clear glass lens
	27		texture	TEK - Global TEK 2cir/2neut, 120v		WF - wide flood, 40°	40 - 4000K-83	SOL - solite beam softening lens
	31		ST - silver	TN2 - Global HTEK 2cir/2neut, 277v			279 - 2700K-90+	SN - snoot, 3/4" deep (required when more than 1 accessory is used)
			texture	TN3 - Global XTS 3cir, 120V			309 - 3000K-90+	
			— (other RAL)	B - busway (compact series B40,B60c only, consult factory for other busway adapters)			359 - 3500K-90+	
							409 - 4000K-90+	
							CRISP - CrispWhite	HEX - hexcell louver
							3CLA - 3K Class A	CB - cross blade, requires snoot

Example: C3TH-A14-31-LED-WT-TS1-120-FL-30

Cat #:

Amerlux reserves the right to change details that do not affect overall function and performance.



CYLINDRIX® III HORIZONTAL

LED TRACK HEAD

C3TH-A14
LED



TYPE:

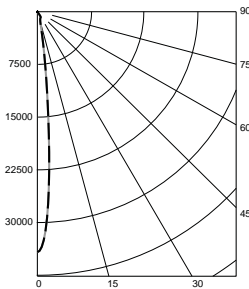


FIXTURE DATA: Multiplying Factors: 0.52 for 16w; 0.61 for 19w; 0.74 for 23w; 0.87 for 27w

Complete photometric data (ies format) available upon request.

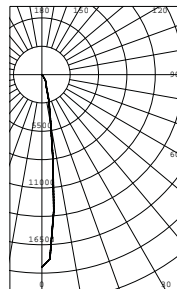
31W LED

NARROW SPOT
DISTRIBUTION
LTL # 11906314.01A



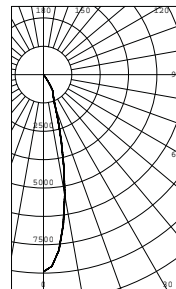
Candelas at Nadir	
Deg	Candela
0	34180
5	17580
15	1541
25	979
35	195
45	18

SPOT
DISTRIBUTION
LTL # 851724



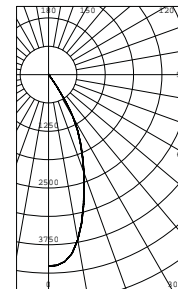
Candelas at Nadir	
Deg	Candela
0	18677
5	13251
15	2560
25	952
35	228
45	12

FLOOD
DISTRIBUTION
LTL # 851725



Candelas at Nadir	
Deg	Candela
0	8683
5	7773
15	3031
25	1009
35	253
45	20

WIDE FLOOD
DISTRIBUTION
LTL # 851726

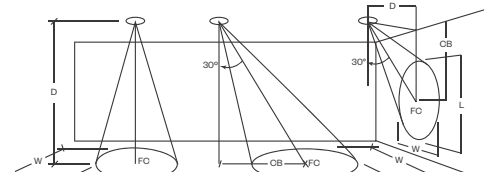


Candelas at Nadir	
Deg	Candela
0	4223
5	4139
15	2980
25	1658
35	323
45	26

APPLICATION DATA:

Notes and Definitions:

Beam spread is to 50% center beam candlepower (CBCP).
 D=Distance to floor or wall.
 FC=Footcandles on floor or wall at center beam aiming location.
 L=Effective Visual Beam length in feet (50% of maximum footcandle level).
 W=Effective Visual Beam width in feet (50% of maximum footcandle level).
 CB=Distance across or down to center beam location.



	0° Aiming Angle Horizontal Footcandles				30° Aiming Angle Horizontal Footcandles					30° Aiming Angle Vertical Footcandles					60° Aiming Angle Vertical Footcandles				
	D	FC	L	W	D	FC	L	W	CB	D	FC	L	W	CB	D	FC	L	W	CB
NARROW SPOT	5.0'	1367	1.1	1.1	5.0'	839	1.3	1.1	3.0	3.0'	508	2.0	1.1	5.0	3.0'	1553	1.1	1.0	2.0
	7.5'	608	1.3	1.3	7.5'	384	1.9	1.4	4.0	4.0'	261	2.9	1.4	7.0	4.0'	1131	1.2	1.1	2.0
	10.0'	342	1.7	1.7	10.0'	211	2.5	2.1	6.0	5.0'	186	3.3	1.6	8.0	5.0'	846	1.2	1.1	3.0
	12.5'	219	2.3	2.3	12.5'	143	3.0	2.7	7.0	6.0'	128	4.0	2.1	10.0	6.0'	503	2.0	1.3	3.0
SPOT	5.0'	745	1.3	1.3	5.0'	463	1.7	1.4	3.0	3.0'	279	2.9	1.4	5.0	3.0'	1010	1.4	1.1	2.0
	7.5'	332	1.7	1.7	7.5'	221	2.4	2.0	4.0	4.0'	168	3.7	1.7	6.0	4.0'	723	1.5	1.2	2.0
	10.0'	187	2.6	2.6	10.0'	116	3.4	3.0	5.0	5.0'	108	4.3	2.4	8.0	5.0'	465	1.7	1.4	3.0
	12.5'	120	3.1	3.1	12.5'	79	4.0	3.5	7.0	6.0'	75	5.3	2.8	9.0	6.0'	322	2.2	1.6	3.0
FLOOD	5.0'	347	2.1	2.1	5.0'	217	2.8	2.5	3.0	3.0'	168	3.6	2.1	4.0	3.0'	524	2.2	1.4	2.0
	7.5'	154	3.2	3.2	7.5'	104	3.9	3.5	4.0	4.0'	93	4.7	2.9	5.0	4.0'	369	2.1	1.8	2.0
	10.0'	87	4.1	4.1	10.0'	59	5.2	4.7	5.0	5.0'	60	5.8	3.6	7.0	5.0'	218	2.8	2.5	3.0
	12.5'	56	5.2	5.2	12.5'	38	6.6	5.8	6.0	6.0'	42	7.1	4.3	8.0	6.0'	164	3.2	2.9	3.0
WIDE FLOOD	5.0'	169	3.4	3.4	5.0'	126	3.9	3.6	2.0	3.0'	118	3.6	3.0	3.0	3.0'	335	2.5	2.2	1.0
	7.5'	76	5.1	5.1	7.5'	56	5.9	5.4	3.0	4.0'	67	4.7	4.0	4.0	4.0'	189	3.3	3.1	2.0
	10.0'	43	6.8	6.8	10.0'	32	8.0	7.3	4.0	5.0'	43	6.1	5.0	5.0	5.0'	127	4.0	3.6	2.0
	12.5'	27	8.5	8.5	12.5'	20	10.0	9.2	5.0	6.0'	30	7.4	6.0	6.0	6.0'	84	5.0	4.6	3.0

CYLINDRIX® III HORIZONTAL

LED TRACK HEAD

C3TH-A14
LED



TYPE:



ENERGY STAR APPROVED MODEL NUMBERS:



Certificate of Conformance

Energy Efficiency Certification

UL conducted an independent evaluation on behalf of:

AMERLUX L L C

23 Daniel Rd, Fairfield, NJ 07004-2527

for the following products:

- Directional Luminaires
- Brand: Amerlux
- Model: See Appendix A

This product meets all of the necessary qualifications pursuant to:
ENERGY STAR®: Program Requirements for Luminaires, Version 2.0



2017-04-05
Certification Date

N/A
Certification Revision Date

[Signature]
Issued by

11650992
UL Product Number

00-VS-F0418, Version 3.0, This is to certify that representative samples of the Certified Product(s) listed above have been investigated by UL to the Standard(s) indicated on this certificate, in accordance with the UL Global Services Agreement and the EEC Terms & Conditions ("Agreement"). The Certificate Holder is entitled to use the UL Energy Verified Mark for the Certified Product(s) listed on the certificate and manufactured at the production site(s) covered by the UL Test Report, in accordance with the terms of the Agreement. This Certificate shall remain valid unless a Standard identified on this Certificate is amended or withdrawn prior to that date or these is a non-compliance with the Agreement.

Appendix A

Model Name	Model Number	Family Model(s) - Additional Model Number
C3TV	C3TV-A14-##-LED-**-***-###-**-2700-##	C3TV-A14-##-LED-**-***-###-**-3000-##
		C3TV-A14-##-LED-**-***-###-**-3500-##
		C3TV-A14-##-LED-**-***-###-**-4000-##
		C3TH-A14-##-LED-**-***-###-**-2700-##
		C3TH-A14-##-LED-**-***-###-**-3000-##
		C3TH-A14-##-LED-**-***-###-**-3500-##
		C3TH-A14-##-LED-**-***-###-**-4000-##
		C3TV-A14-##-LED-**-***-###-**-3000-##