

# CYLINDRIX® III MINI

MULTIPLE RECESSED TRIMLESS 1 LIGHT LED

C3MRTLX-1  
1LT LED

## APPLICATION:

Accent and display lighting for retail, commercial and hospitality environments

## CONSTRUCTION:

Stamped steel mounting frame w/integral mounting bars  
Steel driver housing  
Steel plaster frame  
Extruded aluminum upper housing, cut, mitre, weld  
Complete die-cast optical head construction  
Thermally protected  
Powder coat paint

## MOUNTING:

For use in sheet rock ceilings, max thickness 5/8"  
Optional mounting in millwork ceilings

## LABELING:



For indoor use only

## OPTICS:

0-20° tilt, 360°+ rotation  
Available in a variety of beam spreads  
LED:  
Color Temp Options: 2200K, 2700K, 3000K, 3500K, 4000K  
CRI: 83 typ. (2700K, 3000K, 3500K, 4000K)  
90+ typ. (2200K, 2700K, 3000K, 3500K)  
CrispWhite LED available  
R9 Values: 11 (83CRI), 55 (90+CRI)  
Binning: 3 MacAdam  
Lumen Maintenance: >70% of initial lumens @ 50,000 hrs  
Lumen Output (21w, 3000K): 1850 lm (89.6 lpw)  
CBCP (21w, 3000K): SP 13,578

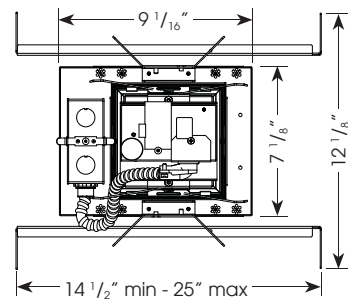
## ELECTRICAL:

Electronic constant current LED driver, 120v - 277v input  
ELV and Triac dimming standard, 120v & 277v.  
0-10v and Lutron systems also available. See following pages for more information.  
**This product complies with IEEE C62.41 for surge endurance up to 2.5KV. Amerlux® recommends using additional surge protection with this unit (supplied by others), surge damage is not covered by warranty.**

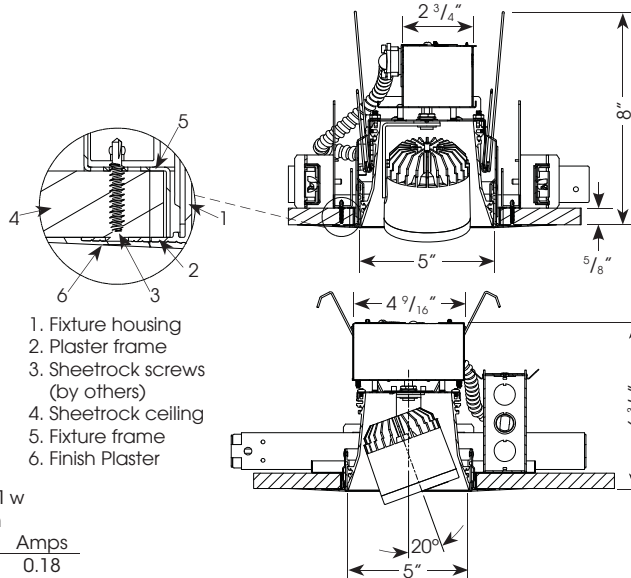


PROJECT:

TYPE:



Ceiling Cut Out Dimension: 5 9/16" x 5 9/16"



1. Fixture housing
2. Plaster frame
3. Sheetrock screws (by others)
4. Sheetrock ceiling
5. Fixture frame
6. Finish Plaster

  
Electrostatic sensitive device,  
observe precautions for  
handling

## ELECTRICAL

Electronic driver

	15w		18w		21w	
	System Watts	Amps	System Watts	Amps	System Watts	Amps
120v	15	0.13	18	0.15	21	0.18
277v	15	0.05	18	0.06	21	0.08

## ORDERING INFORMATION:

FRAME Model	# Heads	Lamp Type	Voltage	Options/Accessories
C3M-R/SRTLX-FRAME	1	LED	120	0-10V - 0-10v dimming
C3M-R/SRTLX-MWF (for use in millwork)			277	HILUME - Lutron HI-lume® dimming DALI - DALI dimming

Complete Unit Specification:

C3M-R/SRTLX-FRAME-1-LED-120/C3M-RTLX-TRIM-1-21-LED-WT-120-277-SP-30

Frame Only: C3M-R/SRTLX-FRAME-1-LED-120

Trim Only: C3M-RTLX-TRIM-1-21-LED-WT-120-277-SP-30

TRIM Model	# Heads	Wattage	Lamp Type	Housing/ Head Finish	Voltage	Beam Spread	Color Temp (CCT-CRI)	Options/Accessories
C3M-RTLX-TRIM	1	15	LED	WT - white texture	120-277	SP - spot, 14°	27 - 2700-83	SN - snoot, 1" w/matte black interior standard
		21					30 - 3000-83	
				BT - black texture		VNF - very narrow flood, 18°	35 - 3500-83	HEX - hexcell louver
				ST - silver texture		NF - narrow flood, 23°	40 - 4000-83	LS - linear spread
				(other RAL)		FL - flood, 34°	229 - 2200-90+	CB - cross blade, matte black, requires snoot
		18 (8° only)				WF - wide flood, 44°	279 - 2700-90+	SOL - solite beam softening lens
						VNSP - very narrow spot, 8° (18w only)	309 - 3000-90+	0-10V - 0-10v dimming
							359 - 3500-90+	HILUME - Lutron HI-lume® dimming
							409 - 4000-90+	DALI - DALI driver
							3CLA - 3K Class A	
							CRISP - CrispWhite (not for VNSP)	

Cat #:

Amerlux reserves the right to change details that do not affect overall function and performance.



# CYLINDRIX® III MINI

MULTIPLE RECESSED TRIMLESS 1 LIGHT LED

C3MRTLX-1  
1LT LED



TYPE:



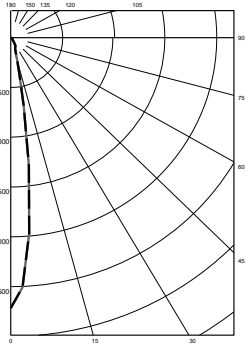
**FIXTURE DATA:** For 15W data, multiply by 0.71; For 18W data see next page

Complete photometric data (ies format) available upon request.

CCT Correction Factors: 2700-83 = 0.96; 3500-83 = 1.02; 4000-83 = 1.04; 2200-90+ = 0.71; 2700-90+ = 0.80; 3000-90+ = 0.83; 3500-90+ = 0.87; Crisp = 0.65

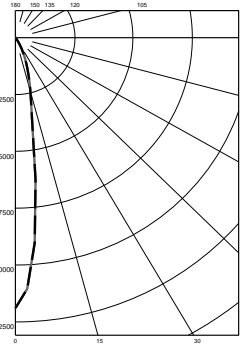
## 21W LED (3000K)

SPOT (SP)  
DISTRIBUTION  
LTL #1026701



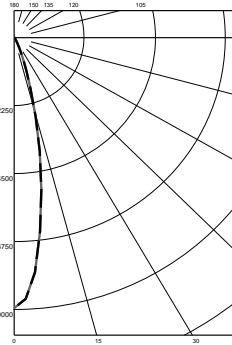
Candelas at Nadir	
Deg	Candela
0	13578
5	9865
15	1152
25	506
35	211
45	101

VERY NARROW  
FLOOD (VNF) DISTRIBUTION  
LTL #883522



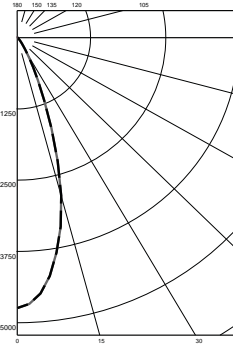
Candelas at Nadir	
Deg	Candela
0	11895
5	9054
15	2337
25	790
35	103
45	23

NARROW FLOOD (NF)  
DISTRIBUTION  
LTL #1037438



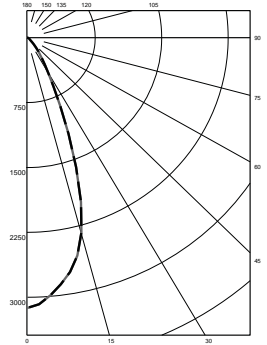
Candelas at Nadir	
Deg	Candela
0	8953
5	7795
15	2707
25	474
35	94
45	50

FLOOD (FL)  
DISTRIBUTION  
LTL #1037439



Candelas at Nadir	
Deg	Candela
0	4743
5	4504
15	2871
25	829
35	178
45	49

WIDE FLOOD (WF)  
DISTRIBUTION  
LTL #1037440

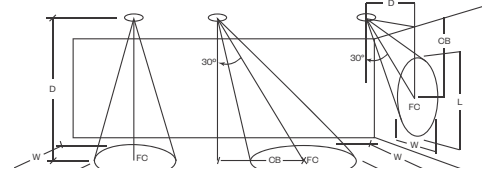


Candelas at Nadir	
Deg	Candela
0	3124
5	2988
15	2330
25	876
35	287
45	102

## APPLICATION DATA:

### Notes and Definitions:

Beam spread is to 50% center beam candlepower (CBCP).  
 D=Distance to floor or wall.  
 FC=Footcandles on floor or wall at center beam aiming location.  
 L=Effective Visual Beam length in feet (50% of maximum footcandle level).  
 W=Effective Visual Beam width in feet (50% of maximum footcandle level).  
 CB=Distance across or down to center beam location.



0° Aiming Angle  
Horizontal  
Footcandles



30° Aiming Angle  
Horizontal  
Footcandles



30° Aiming Angle  
Vertical  
Footcandles



60° Aiming Angle  
Vertical  
Footcandles

	0° Aiming Angle Horizontal Footcandles				30° Aiming Angle Horizontal Footcandles					30° Aiming Angle Vertical Footcandles					60° Aiming Angle Vertical Footcandles				
	D	FC	L	W	D	FC	L	W	CB	D	FC	L	W	CB	D	FC	L	W	CB
SPOT	5.0'	540	1.2	1.2	5.0'	348	1.6	1.4	3.0	3.0'	200	2.8	1.4	5.0	3.0'	726	1.3	1.1	2.0
	7.5'	241	1.8	1.8	7.5'	155	2.5	2.2	4.0	4.0'	121	3.5	1.8	6.0	4.0'	518	1.5	1.2	2.0
	10.0'	136	2.6	2.6	10.0'	85	3.4	3.0	6.0	5.0'	77	4.3	2.5	8.0	5.0'	334	1.8	1.3	3.0
	12.5'	87	3.2	3.2	12.5'	57	4.2	3.6	7.0	6.0'	54	5.2	2.9	9.0	6.0'	230	2.2	1.6	3.0
VERY NARROW FLOOD	5.0'	473	1.4	1.4	5.0'	305	1.9	1.5	3.0	3.0'	176	3.4	1.5	5.0	3.0'	651	1.6	1.2	2.0
	7.5'	211	2.1	2.1	7.5'	136	2.9	2.5	4.0	4.0'	108	4.1	2.0	6.0	4.0'	462	1.6	1.3	2.0
	10.0'	119	2.9	2.9	10.0'	75	3.8	3.3	6.0	5.0'	67	5.3	2.8	8.0	5.0'	293	2.0	1.5	3.0
	12.5'	76	3.5	3.5	12.5'	50	4.7	3.9	7.0	6.0'	49	6.3	3.2	9.0	6.0'	206	2.4	1.8	3.0
NARROW FLOOD	5.0'	358	1.9	1.9	5.0'	257	2.4	2.1	3.0	3.0'	181	3.2	1.8	4.0	3.0'	620	1.9	1.2	2.0
	7.5'	159	2.9	2.9	7.5'	115	3.5	3.2	4.0	4.0'	96	4.4	2.8	6.0	4.0'	426	1.9	1.5	2.0
	10.0'	90	3.8	3.8	10.0'	63	4.8	4.2	5.0	5.0'	63	5.3	3.3	7.0	5.0'	249	2.5	2.2	3.0
	12.5'	58	4.8	4.8	12.5'	40	6.1	5.4	7.0	6.0'	43	6.7	4.0	8.0	6.0'	182	2.9	2.6	3.0
FLOOD	5.0'	190	2.9	2.9	5.0'	130	3.5	3.1	2.0	3.0'	113	3.4	2.7	3.0	3.0'	340	2.3	1.8	1.0
	7.5'	85	4.3	4.3	7.5'	58	5.2	4.8	3.0	4.0'	64	4.6	3.5	4.0	4.0'	208	2.8	2.6	2.0
	10.0'	48	5.7	5.7	10.0'	34	6.8	6.4	5.0	5.0'	41	5.8	4.4	5.0	5.0'	133	3.5	3.1	2.0
	12.5'	31	7.2	7.2	12.5'	22	8.5	8.0	6.0	6.0'	29	7.0	5.2	7.0	6.0'	93	4.1	3.8	3.0
WIDE FLOOD	5.0'	125	3.3	3.3	5.0'	92	3.9	3.5	2.0	3.0'	92	3.2	2.7	3.0	3.0'	254	2.3	2.0	1.0
	7.5'	56	5.0	5.0	7.5'	41	5.6	5.4	3.0	4.0'	52	4.3	3.6	4.0	4.0'	138	3.2	3.0	2.0
	10.0'	32	6.7	6.7	10.0'	23	7.6	7.3	4.0	5.0'	34	5.3	4.6	5.0	5.0'	93	3.9	3.5	2.0
	12.5'	20	8.5	8.5	12.5'	15	9.6	9.2	5.0	6.0'	23	6.5	5.5	6.0	6.0'	64	4.7	4.5	2.0

# CYLINDRIX® III MINI

MULTIPLE RECESSED TRIMLESS 1 LIGHT LED

C3MRTLX-1  
1LT LED



TYPE:



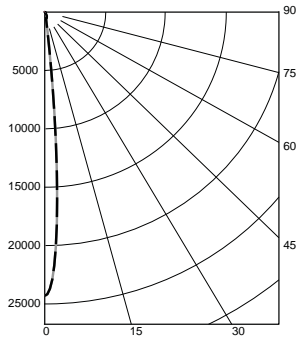
**FIXTURE DATA:**

Complete photometric data (ies format) available upon request.

CCT Correction Factors: 2700-83 = 0.96; 3500-83 = 1.02; 4000-83 = 1.04; 2200-90+ = 0.71; 2700-90+ = 0.80; 3000-90+ = 0.83; 3500-90+ = 0.87; Crisp = 0.65

**18W LED (3000K-83)**

VERY NARROW SPOT (VNSP)  
DISTRIBUTION  
LTL #1170140

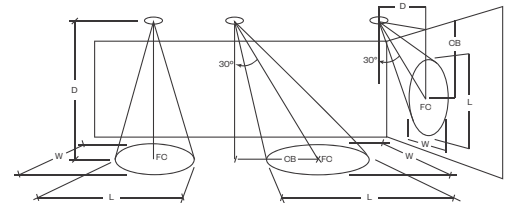


Candelas at Nadir	
Deg	Candela
0	24308
5	8980
15	527
25	394
35	131
45	57

**APPLICATION DATA:**

**Notes and Definitions:**

Beam spread is to 50% center beam candlepower (CBCP).  
 D=Distance to floor or wall.  
 FC=Footcandles on floor or wall at center beam aiming location.  
 L=Effective Visual Beam length in feet (50% of maximum footcandle level).  
 W=Effective Visual Beam width in feet (50% of maximum footcandle level).  
 CB=Distance across or down to center beam location.



0° Aiming Angle  
Horizontal  
Footcandles



30° Aiming Angle  
Horizontal  
Footcandles



30° Aiming Angle  
Vertical  
Footcandles



60° Aiming Angle  
Vertical  
Footcandles

VERY NARROW SPOT	0° Aiming Angle Horizontal Footcandles				30° Aiming Angle Horizontal Footcandles					30° Aiming Angle Vertical Footcandles					60° Aiming Angle Vertical Footcandles				
	D	FC	L	W	D	FC	L	W	CB	D	FC	L	W	CB	D	FC	L	W	CB
	5.0'	967	1.0	1.0	5.0'	624	1.0	1.0	3.0	3.0'	360	1.5	1.0	5.0	3.0'	983	1.0	1.0	2.0
	7.5'	431	1.1	1.1	7.5'	251	1.8	1.1	4.0	4.0'	185	2.4	1.1	7.0	4.0'	729	1.1	1.0	2.0
	10.0'	243	1.3	1.3	10.0'	153	2.1	1.6	6.0	5.0'	129	2.7	1.2	8.0	5.0'	600	1.1	1.0	3.0
	12.5'	156	1.8	1.8	12.5'	102	2.4	2.2	7.0	6.0'	90	3.3	1.6	10.0	6.0'	325	1.9	1.0	3.0

# CYLINDRIX® III MINI

MULTIPLE RECESSED TRIMLESS 1 LIGHT LED

C3MRTLX-1  
1LT LED



TYPE:



## DIMMING COMPATIBILITY:

Amerlux® fixtures are compatible with all major dimming protocols prevalent in the United States. Please see below for general compatibilities and wiring diagrams. Amerlux recommends testing your unique dimming configuration as the exact full configuration (Dimmer, Fixture Quantity, Voltage, etc) may affect dimming performance.

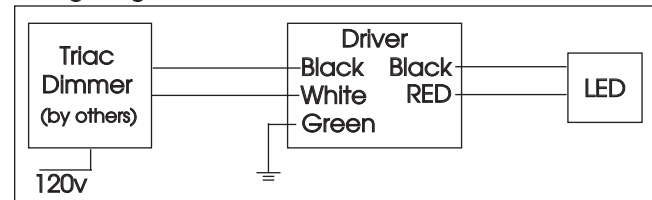
### TRIAC (Forward Phase) DIMMING (standard)

Utilizes "Standard" incandescent dimmers that are in wide use in installations across the US. Best for retrofit applications where Triac dimmers are installed.

#### Notes:

- 120v & 277v
- Dims down to less than 5% light output (most cases)
- Consult Dimming manufacturer for installation instructions - DO NOT SHARE NEUTRALS!
- Must meet dimmer Minimum Load Requirements per dimming manufacturer

#### Wiring Diagram



#### Compatible Dimmers

##### Wall Box (Incandescent Style, Wattage as required)

Lutron "Diva"	Lutron "Vareo"
Lutron "Nova-T"	Lutron "Skylark"
Lutron "Maestro"	

##### Central System

ETC "SR" Rack w/D20 Module	ETC "DRD" Rack w/D20 Module
Lutron "GP" Panel	Lutron Grafix Eye QS

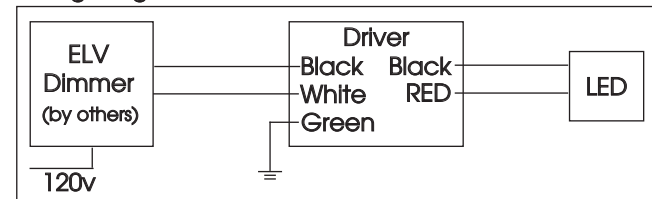
### ELV - Electronic Low Voltage (Reverse Phase) DIMMING (standard)

Utilizes specialized "ELV" dimmers. Best for New Construction applications

#### Notes:

- 120v & 277v
- Dims down to less than 5% light output (most cases)
- Consult Dimming manufacturer for installation instructions - DO NOT SHARE NEUTRALS!
- Must meet dimmer Minimum Load Requirements

#### Wiring Diagram



#### Compatible Dimmers

##### Wall Box (ELV Style)

Lutron "Diva"	Lutron "Vareo"
Lutron "Nova-T"	Lutron "Skylark"
Lutron "Maestro"	
Leviton "Surslide"	Leviton "Vizio"

##### Central System

ETC "SR" Rack w/ELV10 Module	ETC "DRD" Rack w/ELV10 Module
Lutron "GP" Panel with PHPM-PA Interface	Lutron Grafix Eye QS with PHPM-PA Interface

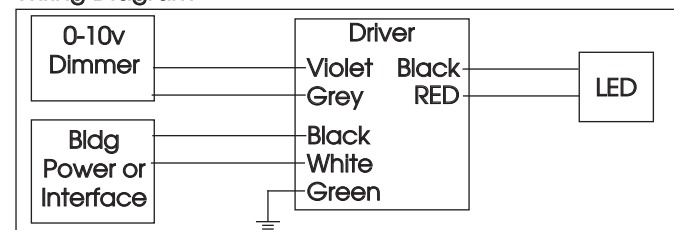
### 0-10V - DIMMING (-0-10V Option)

Integrates into a variety of building management and daylighting controls

#### Notes:

- 120v - 277v
- Dims down to less than 10% light output
- Requires interface to turn off power to driver
- Consult Dimming manufacturer for installation instructions - DO NOT SHARE NEUTRALS!

#### Wiring Diagram



#### Compatible Dimmers

##### Wall Box

Lutron "Diva" - DVTV with PP-120H Interface	Leviton Renoir II 0-10v
---	-------------------------

##### Central System

Lutron Grafix Eye with GRX-TVI Interface
--

# CYLINDRIX® III MINI

MULTIPLE RECESSED TRIMLESS 1 LIGHT LED

C3MRTLX-1  
1LT LED



TYPE:



## LUTRON HI-LUME / ECO-SYSTEM (-HILUME Option)

Integrates into a variety of building management and daylighting controls

### Notes:

- 120v or 277v
- Dims down to less than 5% light output
- May use 3-Wire or Ecosystem Control
- Consult Dimming manufacturer for installation instructions - DO NOT SHARE NEUTRALS!

### Compatible Dimmers

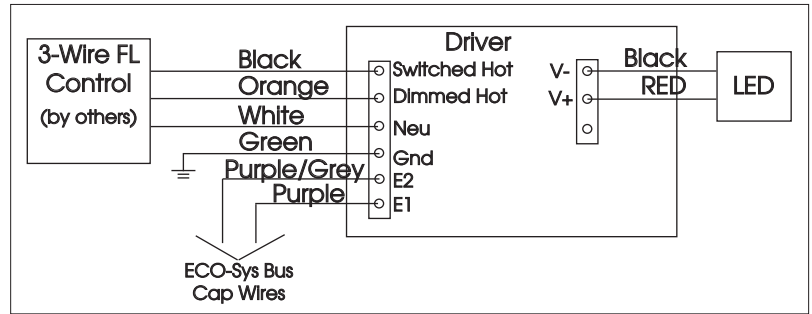
#### Wall Box (3-Wire Fluorescent)

DIVA  
Maestro  
Nova T  
Vareo

#### Central System

Lutron ECO-System compatible controls  
ETC "SR" Rack w/D20F Module  
ETC "DRD" Rack w/D20F Module

### 3-Wire Wiring Diagram



### ECO System Digital Control Wiring

