

ESSENZA® DOWNLIGHT

SHALLOW ROUND WALL WASH LED

APPLICATIONS:

Residential & hospitality

CONSTRUCTION:

Universal frame, Round or Square
Includes mounting bars

20 ga. galvanized steel frame
18 ga. galvanized steel splice housing and hanger brackets
Die-cast optical housing, trim and heat sink

ELECTRICAL:

Electronic constant current LED driver
120v or 277v input (voltage specific thermal protector)
ELV & Triac dimming standard

This product complies with IEEE C62.41 for surge endurance up to 2.5KV. Amerlux® recommends using additional surge protection with this unit (supplied by others), surge damage is not covered by warranty.

MOUNTING:

For use in T-grid or sheet rock ceilings,
(max ceiling thickness 1")


OPTICS:

Engineered nano technology lens provides high transmission while concealing LED image

LED:

Color Temp Options: 2200K, 2700K, 3000K, 3500K, 4000K
CRI: 83 typ. (2700K, 3000K, 3500K, 4000K)
90+ typ. (2200K, 2700K, 3000K)
Optional Amerlux CrispWhite technology
R9 Value: 11 (83CRI), 55 (90+CRI)
Binning: 3 MacAdam (SDCM)
Life: 50,000 hrs
Lumen Maintenance: >70% of initial lumens @ 50,000 hrs
Lumen Output (at 3000K, 90+CRI): 12w: 293 lm typ.
18w: 349 lm typ.

LABELING:

 listed to UL standards as tested by CSA.
Optional IC/AT rated (12w only)
Damp location

EZRLW
LED



PROJECT:

TYPE:



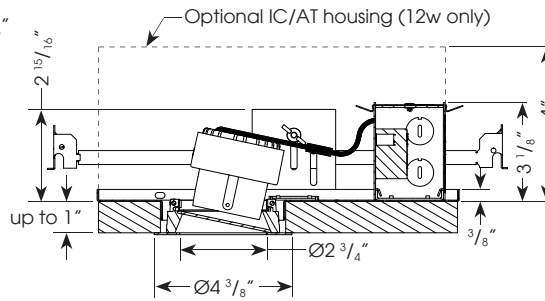
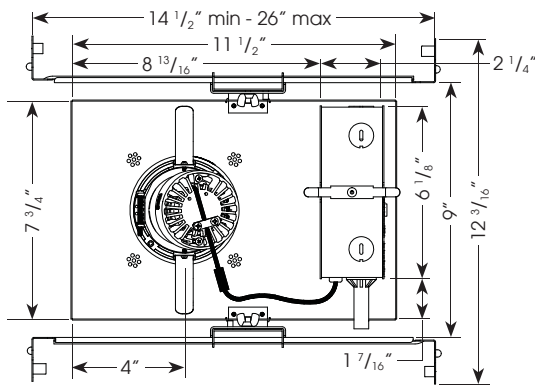
Electrostatic sensitive device,
observe precautions for
handling



(see next page for details)

3 year limited
warranty

(see website for details)



Ceiling Cut Out Dimension: 4" dia.

• see ordering information below for EM restrictions

ELECTRICAL

Electronic driver

	12w*		18w*	
	System Watts	Amps	System Watts	Amps
120v	12	0.10	18	0.15
277v	12	0.04	18	0.06

* includes 2w thermal protector

ORDERING INFORMATION:

Housing: Model	Wattage	Lamp Type	Voltage	Options	Trim: Model	Trim Finish	Color Temp (CCT-CRI)
EZ	12 18	LED	120 277	<ul style="list-style-type: none"> •EMI - integral emergency battery pack with remote test switch, requires 7" ceiling clearance (not for use with IC/AT housing) IC/AT - insulated ceiling/air tight (12w only) CP - Chicago Plenum (CCEA) (12w only) HILUME-A - Lutron Hi-lume® A Series dimming driver 0-10V - 0-10V dimming, 1% dim 	EZRLW	MWW - matte white	27 - 2700K-83 30 - 3000K-83 35 - 3500K-83 40 - 4000K-83 229 - 2200K-90+ 279 - 2700K-90+ 309 - 3000K-90+ CRISP - crisp white

Complete Example: EZ-18-LED-120/EZRLW-MWW-309

Housing Example: EZ-18-LED-120

Reflector Example: EZRLW-MWW-309

Cat #:

Amerlux reserves the right to change details that do not affect overall function and performance.

QUICKSHIP ESSENZA® DOWNLIGHT

SHALLOW ROUND WALL WASH LED

EZRLW
LED

Amerlux® QuickShip makes it possible not only to keep up with expectations, but to keep ahead of them. We help enhance your competitive edge, ensuring you can start installation more quickly than you thought possible.

We can ship within 5-10 business days of your Amerlux QuickShip order, depending upon the selection.

- **QuickShip must be clearly marked on all P.O.'s.**
- **Must note on P.O. if requesting frames ship first.**
- **Standard shipping terms apply.**
- **See terms & conditions below.**

Quantity: 100 pieces or less
Housing: 5 days
Trims: 10 days



PROJECT:

TYPE:

QUICKSHIP ORDERING INFORMATION:

Housing:					Trim:		
Model	Wattage	Lamp Type	Voltage	Options	Model	Trim Finish	Color Temp (CCT-CRI)
EZ	12 18	LED	120 277	IC/AT - insulated ceiling/air tight (12w only) CP - Chicago Plenum (CCEA) (12w only)	EZRLW	MWW - matte white	279 - 2700K-90+ 309 - 3000K-90+

Complete **QuickShip** Example: EZ-18-LED-120/EZRLW-MWW-309
Housing Example: EZ-18-LED-120
Trim Example: EZRLW-MWW-309

Cat #:

Terms & Conditions

1. For QuickShip processing, please submit QuickShip items on separate purchase order and indicate "QuickShip" on order.
2. Configurations outside of what is displayed on the QuickShip program are not available under the QuickShip lead times.
3. Please contact Customer Support to process orders with quantities larger than those listed.
4. Orders will be entered within 24 hours of receipt of a clean purchase order. Lead times are calculated by business days from time of sales order confirmation. Orders will ship within QuickShip lead times or sooner.
5. Change orders and order cancellations cannot be processed after sales order confirmation is generated.
6. For freight allowed (greater than \$3,000), order will ship complete based on longest lead time item. Please indicate on PO if Partial Shipments are approved and indicate freight method. For partial shipments under \$3,000, customer will be invoiced for freight.
7. All Lead times indicate when the fixture ships from Amerlux®. Arrival at destination is contingent upon carrier.

Expedite your orders by providing:

- **Separate purchase order noting "QuickShip Program"**
- **Complete and accurate configurations**
- **Accurate pricing, quote number, shipping and contact information**

Amerlux reserves the right to modify this program at any time.

ESSENZA® DOWNLIGHT

SHALLOW ROUND WALL WASH LED



TYPE:



FIXTURE DATA: For 12w data, multiply by 0.84

Complete photometric data (ies format) available upon request.

CCT Conversion Factor: 2700K-83 = 1.16; 3000K-83 = 1.20; 3500K-83 = 1.23; 4000K-83 = 1.25; 2200K-90+ = 0.85; 2700K-90+ = 0.96; 3000K-90+ = 1.0; CRISP = 0.79

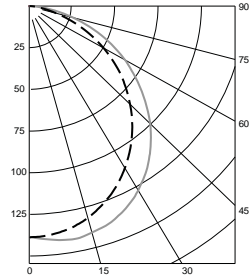
Essenza Round Wall Wash, 18w LED, 3000K-90+
 Source: LED with solite lens Lumens: 349
 Recessed

ZONAL LUMEN SUMMARY

Zone	Lumens	%Fixt
0-40	170	48.7
0-60	289	82.8
0-90	349	100.0
90-180	0	0.0

Luminaire Efficacy: 20.2 lumens/watt

LTL# 1163277



APPLICATION DATA:

Footcandles on Wall

Footcandles are average and rounded off.
 Data for multiple units are based on a minimum of five units.

1.5 Feet From Wall

Distance from ceiling	1.5' spacing				
	0.5'	1.5'	2.5'	3.5'	4.5'
0.5'	19	20	21	20	19
1.5'	29	31	32	31	29
2.5'	18	20	20	20	18
3.5'	11	12	12	12	11
4.5'	7	7	8	7	7
5.5'	5	5	5	5	5
6.5'	3	4	4	4	3
7.5'	3	3	3	3	3

1.5 Feet From Wall

Distance from ceiling	2' spacing						
	0.5'	1.5'	2.5'	3.5'	4.5'	5.5'	6.5'
0.5'	13	18	14	18	14	18	13
1.5'	22	25	23	25	23	25	22
2.5'	14	15	16	16	16	15	14
3.5'	9	10	10	10	10	10	9
4.5'	6	6	6	7	6	6	6
5.5'	4	4	4	5	4	4	4
6.5'	3	3	3	3	3	3	3
7.5'	2	3	3	3	3	3	2

2 Feet From Wall

Distance from ceiling	2' spacing						
	0.5'	1.5'	2.5'	3.5'	4.5'	5.5'	6.5'
0.5'	8	9	9	9	9	9	8
1.5'	16	17	17	17	17	17	16
2.5'	14	15	15	16	15	15	14
3.5'	10	11	11	11	11	11	10
4.5'	7	7	8	8	8	7	7
5.5'	5	5	5	6	5	5	5
6.5'	4	4	4	4	4	4	4
7.5'	3	3	3	3	3	3	3

ESSENZA® DOWNLIGHT

SHALLOW ROUND WALL WASH LED



TYPE:

DIMMING COMPATIBILITY:

Amerlux® fixtures are compatible with all major dimming protocols prevalent in the United States. Please see below for general compatibilities and wiring diagrams. Amerlux recommends testing your unique dimming configuration as the exact full configuration (Dimmer, Fixture Quantity, Voltage, etc) may affect dimming performance.

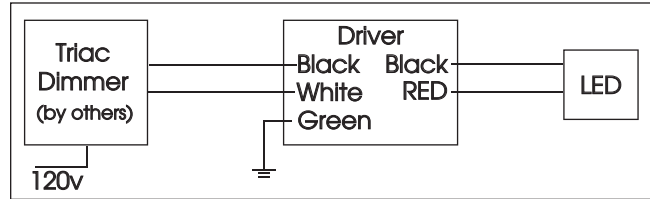
TRIAC (Forward Phase) DIMMING (standard)

Utilizes "Standard" incandescent dimmers that are in wide use in installations across the US. Best for retrofit applications where Triac dimmers are installed.

Notes:

- 120v or 277v
- Dims down to less than 5% light output (most cases)
- Consult Dimming manufacturer for installation instructions - DO NOT SHARE NEUTRALS!
- Must meet dimmer Minimum Load Requirements per dimming manufacturer

Wiring Diagram



Compatible Dimmers

Wall Box (Incandescent Style, Wattage as required)

Lutron "Diva"
Lutron "Nova-T"
Lutron "Maestro"

Lutron "Vareo"
Lutron "Skylark"

Central System

ETC "SR" Rack w/D20 Module
Lutron "GP" Panel

ETC "DRD" Rack w/D20 Module
Lutron Grafix Eye QS

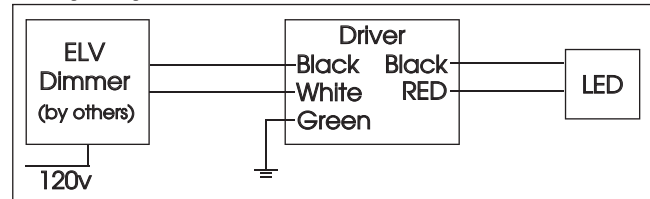
ELV - Electronic Low Voltage (Reverse Phase) DIMMING (standard)

Utilizes specialized "ELV" dimmers. Best for New Construction applications

Notes:

- 120v or 277v
- Dims down to less than 5% light output (most cases)
- Consult Dimming manufacturer for installation instructions - DO NOT SHARE NEUTRALS!
- Must meet dimmer Minimum Load Requirements

Wiring Diagram



Compatible Dimmers

Wall Box (ELV Style)

Lutron "Diva"
Lutron "Nova-T"
Lutron "Maestro"
Leviton "Surslide"

Lutron "Vareo"
Lutron "Skylark"
Leviton "Vizio"

Central System

ETC "SR" Rack w/ELV10 Module
Lutron "GP" Panel with PHPM-PA Interface

ETC "DRD" Rack w/ELV10 Module
Lutron Grafix Eye QS with PHPM-PA Interface

ESSENZA® DOWNLIGHT

SHALLOW ROUND WALL WASH LED



TYPE:

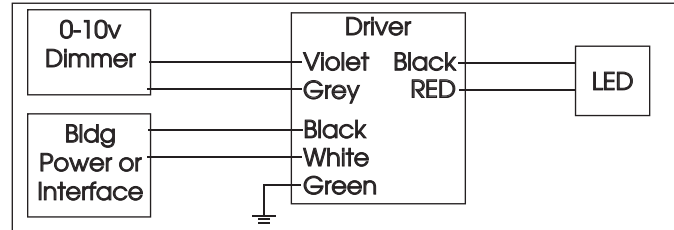
0-10V - DIMMING (-0-10V Option)

Integrates into a variety of building management and daylighting controls

Notes:

- 120v - 277v
- Dims down to 1% light output
- Requires interface to turn off power to driver
- Consult Dimming manufacturer for installation instructions - DO NOT SHARE NEUTRALS!

Wiring Diagram



Compatible Dimmers

Wall Box

Lutron "Diva" - DTV with PP-120H Interface

Leviton Renoir II 0-10v

Central System

Lutron Grafix Eye with GRX-TVI Interface

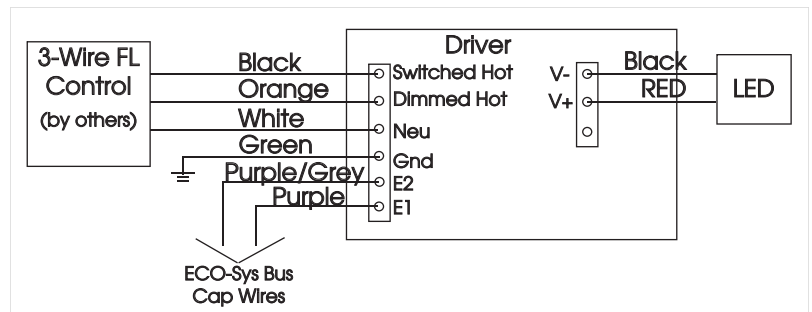
LUTRON HI-LUME / ECO-SYSTEM (-HILUME Option)

Integrates into a variety of building management and daylighting controls

Notes:

- 120v or 277v
- Dims down to 1% light output
- May use 3-Wire or Ecosystem Control
- Consult Dimming manufacturer for installation instructions - DO NOT SHARE NEUTRALS!

3-Wire Wiring Diagram



Compatible Dimmers

Wall Box (3-Wire Fluorescent)

DIVA
Maestro
Nova T
Vareo

Central System

Lutron ECO-System compatible controls
ETC "SR" Rack w/D20F Module
ETC "DRD" Rack w/D20F Module

ECO System Digital Control Wiring

