

# ESSENZA® DOWNLIGHT

## SHALLOW SQUARE ADJUSTABLE LED

### APPLICATIONS:

Residential & hospitality

### CONSTRUCTION:

Universal frame, Round or Square  
Includes mounting bars

20 ga. galvanized steel frame  
18 ga. galvanized steel splice housing and hanger brackets  
Die-cast optical housing, trim and heat sink

### ELECTRICAL:

Electronic constant current LED driver  
120V or 277V input (voltage specific thermal protector)  
ELV & Triac dimming standard

This product complies with IEEE C62.41 for surge endurance up to 2.5KV. Amerlux® recommends using additional surge protection with this unit (supplied by others), surge damage is not covered by warranty.

### MOUNTING:

For use in T-grid or sheet rock ceilings,  
(max ceiling thickness 1")

### OPTICS:

LED:

Color Temp Options: 2200K, 2700K, 3000K, 3500K, 4000K  
CRI: 83 typ. (2700K, 3000K, 3500K, 4000K)

90+ typ. (2200K, 2700K, 3000K)

Optional Amerlux CrispWhite technology

R9 Value: 11 (83CRI), 55 (90+CRI)

Binning: 3 MacAdam (SDCM)

Life: 50,000 hrs

Lumen Maintenance: >70% of initial lumens @ 50,000 hrs

Lumen Output (at 3000K, 90+CRI): 12W: 766 lm typ.

18W: 912 lm typ.

0-30° tilt

Beam Spreads: Spot, 15°; Flood, 28°; Wide Flood, 45°;

Very Wide Flood, 60°

### LABELING:



listed to UL standards as tested by CSA.

Optional IC/AT rated (12W only)

Damp location

EZSA  
LED



PROJECT:

TYPE:



Electrostatic sensitive device,  
observe precautions for  
handling



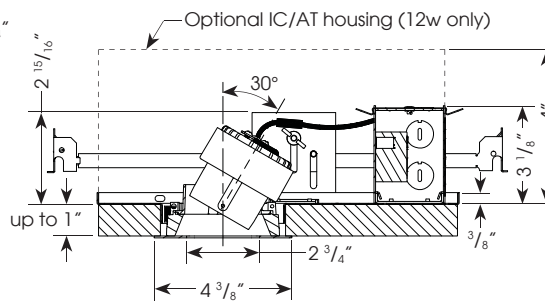
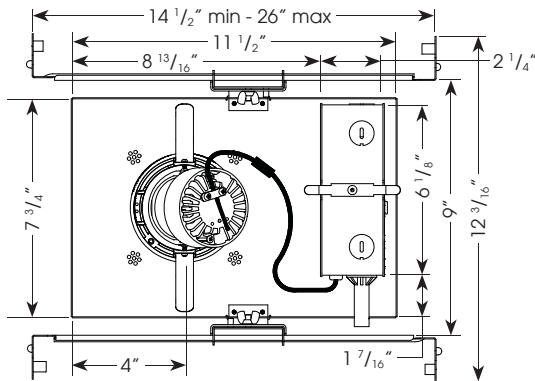
(see next page for details)



Title 24  
Compliant

3 year limited  
warranty

(see website for details)



Ceiling Cut Out Dimension: 4" dia.  
(universal frame, round or square)

• see ordering information below for EM restrictions

### ELECTRICAL

Electronic driver

	12W*		18W*	
	System Watts	Amps	System Watts	Amps
120V	12	0.10	18	0.15
277V	12	0.04	18	0.06

\* includes 2W thermal protector

### ORDERING INFORMATION:

Housing:					Trim:		Beam Spread	Color Temp (CCT-CRI)
Model	Wattage	Lamp Type	Voltage	Options	Model	Trim Finish		
EZ	12* 18	LED	120 277	•EMI - integral emergency battery pack with remote test switch, requires 7" ceiling clearance (not for use with IC/AT housing) IC/AT* - insulated ceiling/air tight (12W only) CP - Chicago Plenum (CCEA) (12w only) HILUME-A - Lutron HI-lume® A Series dimming driver 0-10V* - 0-10V dimming, 1% dim	EZSA	MWW* - matte white	SP* - spot, 15° FL* - flood, 28° WF* - wide flood, 45° VWF* - very wide flood, 60°	27 - 2700K-83 30 - 3000K-83 35 - 3500K-83 40 - 4000K-83  229 - 2200K-90+ 279* - 2700K-90+ 309* - 3000K-90+  CRISP - crisp white

Complete Example: EZ-18-LED-120/EZSA-MWW-FL-309

Housing Example: EZ-18-LED-120

Reflector Example: EZSA-MWW-FL-309

\* Title 24 Compliant

Cat #:

Amerlux reserves the right to change details that do not affect overall function and performance.

# QUICKSHIP ESSENZA® DOWNLIGHT

SHALLOW SQUARE ADJUSTABLE LED

EZSA  
LED

Amerlux® QuickShip makes it possible not only to keep up with expectations, but to keep ahead of them. We help enhance your competitive edge, ensuring you can start installation more quickly than you thought possible.



We can ship within 5-10 business days of your Amerlux QuickShip order, depending upon the selection.



- **QuickShip must be clearly marked on all P.O.'s.**
- **Must note on P.O. if requesting frames ship first.**
- **Standard shipping terms apply.**
- **See terms & conditions below.**

**Quantity:** 100 pieces or less  
Housing: 5 days  
Trims: 10 days

PROJECT:  
  
TYPE:

## QUICKSHIP ORDERING INFORMATION:

Housing:					Trim:		Beam Spread	Color Temp (CCT-CRI)
Model	Wattage	Lamp Type	Voltage	Options	Model	Trim Finish		
EZ	12 18	LED	120 277	IC/AT - insulated ceiling/air tight (12W only) CP - Chicago Plenum (CCEA) (12W only)	EZSA	MWW - matte white	SP - spot, 15° FL - flood, 28° WF - wide flood, 45° VWF - very wide flood, 60°	279 - 2700K-90+ 309 - 3000K-90+

Complete **QuickShip** Example: EZ-18-LED-120/EZSA-MWW-FL-309  
Housing Example: EZ-18-LED-120  
Trim Example: EZSA-MWW-FL-309

Cat #:

## Terms & Conditions

1. For QuickShip processing, please submit QuickShip items on separate purchase order and indicate "QuickShip" on order.
2. Configurations outside of what is displayed on the QuickShip program are not available under the QuickShip lead times.
3. Please contact Customer Support to process orders with quantities larger than those listed.
4. Orders will be entered within 24 hours of receipt of a clean purchase order. Lead times are calculated by business days from time of sales order confirmation. Orders will ship within QuickShip lead times or sooner.
5. Change orders and order cancellations cannot be processed after sales order confirmation is generated.
6. For freight allowed (greater than \$3,000), order will ship complete based on longest lead time item. Please indicate on PO if Partial Shipments are approved and indicate freight method. For partial shipments under \$3,000, customer will be invoiced for freight.
7. All Lead times indicate when the fixture ships from Amerlux®. Arrival at destination is contingent upon carrier.

**Expedite your orders by providing:**

- **Separate purchase order noting "QuickShip Program"**
- **Complete and accurate configurations**
- **Accurate pricing, quote number, shipping and contact information**

**Amerlux reserves the right to modify this program at any time.**

# ESSENZA® DOWNLIGHT

SHALLOW SQUARE ADJUSTABLE LED



TYPE:

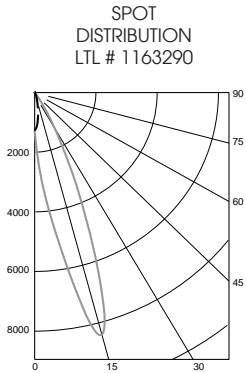


**FIXTURE DATA:** For 12w data, multiply by 0.84

Complete photometric data (ies format) available upon request.

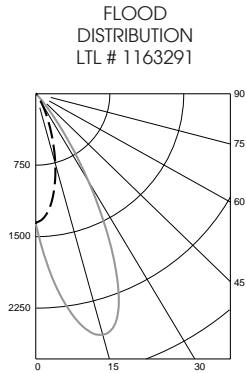
CCT Conversion Factor: 2700K-83 = 1.16; 3000K-83 = 1.20; 3500K-83 = 1.23; 4000K-83 = 1.25; 2200K-90+ = 0.85; 2700-90+ = 0.96; 3000K-90+ = 1.0; CRISP = 0.79

## 18W LED, 3000K-90+



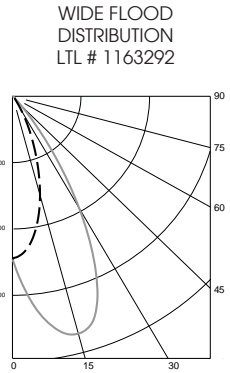
Candelas at Nadir

Deg	Candela
0	1282
5	3206
15	8410
25	2661
35	221
45	14



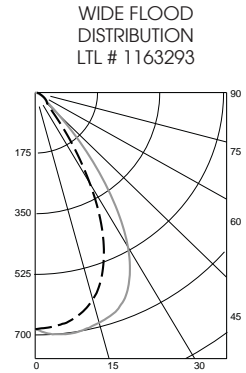
Candelas at Nadir

Deg	Candela
0	1364
5	1946
15	2617
25	1821
35	462
45	31



Candelas at Nadir

Deg	Candela
0	1227
5	1545
15	1853
25	1452
35	529
45	51



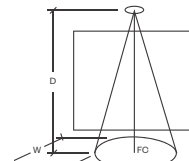
Candelas at Nadir

Deg	Candela
0	683
5	701
15	689
25	619
35	384
45	104

## APPLICATION DATA:

### Notes and Definitions:

Beam spread is to 50% center beam candlepower (CBCP).  
 D=Distance to floor or wall.  
 FC=Footcandles on floor or wall at center beam aiming location.  
 L=Effective Visual Beam length in feet (50% of maximum footcandle level).  
 W=Effective Visual Beam width in feet (50% of maximum footcandle level).  
 CB=Distance across or down to center beam location.



15° Aiming Angle  
Horizontal  
Footcandles

	D	FC	L	W	CB
SPOT	5.0'	254	1.7	1.5	1.0
	7.5'	135	2.1	2.0	2.0
	10.0'	69	3.0	2.9	3.0
	12.5'	48	3.6	3.5	3.0
FLOOD	5.0'	95	2.7	2.7	1.0
	7.5'	42	4.0	3.9	2.0
	10.0'	24	5.2	5.2	2.0
	12.5'	16	6.5	6.5	3.0
WIDE FLOOD	5.0'	69	3.1	3.1	1.0
	7.5'	30	4.7	4.7	2.0
	10.0'	17	6.2	6.2	2.0
	12.5'	11	7.8	7.8	3.0
VERY WIDE FLOOD	5.0'	28	4.4	4.8	0.0
	7.5'	12	6.8	7.2	0.0
	10.0'	7	9.0	9.5	1.0
	12.5'	5	11.4	12.1	0.0

# ESSENZA® DOWNLIGHT

SHALLOW SQUARE ADJUSTABLE LED



TYPE:

## DIMMING COMPATIBILITY:

Amerlux® fixtures are compatible with all major dimming protocols prevalent in the United States. Please see below for general compatibilities and wiring diagrams. Amerlux recommends testing your unique dimming configuration as the exact full configuration (Dimmer, Fixture Quantity, Voltage, etc) may affect dimming performance.

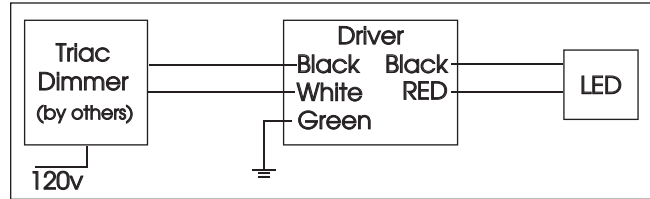
### TRIAC (Forward Phase) DIMMING (standard)

Utilizes "Standard" incandescent dimmers that are in wide use in installations across the US. Best for retrofit applications where Triac dimmers are installed.

#### Notes:

- 120v or 277v
- Dims down to less than 5% light output (most cases)
- Consult Dimming manufacturer for installation instructions - DO NOT SHARE NEUTRALS!
- Must meet dimmer Minimum Load Requirements per dimming manufacturer

Wiring Diagram



#### Compatible Dimmers

##### Wall Box (Incandescent Style, Wattage as required)

Lutron "Diva"	Lutron "Vareo"
Lutron "Nova-T"	Lutron "Skylark"
Lutron "Maestro"	

##### Central System

ETC "SR" Rack w/D20 Module	ETC "DRD" Rack w/D20 Module
Lutron "GP" Panel	Lutron Grafix Eye QS

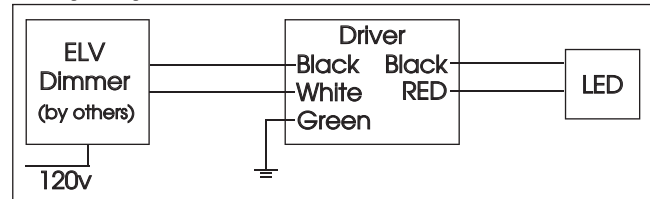
### ELV - Electronic Low Voltage (Reverse Phase) DIMMING (standard)

Utilizes specialized "ELV" dimmers. Best for New Construction applications

#### Notes:

- 120v or 277v
- Dims down to less than 5% light output (most cases)
- Consult Dimming manufacturer for installation instructions - DO NOT SHARE NEUTRALS!
- Must meet dimmer Minimum Load Requirements

Wiring Diagram



#### Compatible Dimmers

##### Wall Box (ELV Style)

Lutron "Diva"	Lutron "Vareo"
Lutron "Nova-T"	Lutron "Skylark"
Lutron "Maestro"	
Leviton "Surslide"	Leviton "Vizio"

##### Central System

ETC "SR" Rack w/ELV10 Module	ETC "DRD" Rack w/ELV10 Module
Lutron "GP" Panel with PHPM-PA Interface	Lutron Grafix Eye QS with PHPM-PA Interface

# ESSENZA® DOWNLIGHT

SHALLOW SQUARE ADJUSTABLE LED



TYPE:

EZSA  
LED



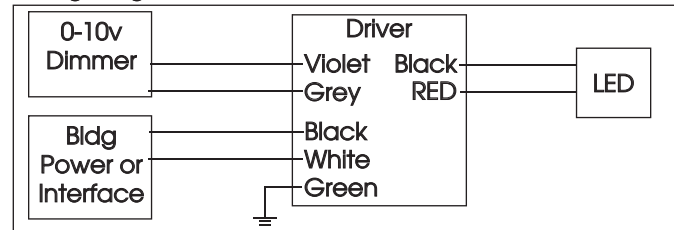
## 0-10V - DIMMING (-0-10V Option)

Integrates into a variety of building management and daylighting controls

### Notes:

- 120v - 277v
- Dims down to 1% light output
- Requires interface to turn off power to driver
- Consult Dimming manufacturer for installation instructions - DO NOT SHARE NEUTRALS!

### Wiring Diagram



### Compatible Dimmers

#### Wall Box

Lutron "Diva" - DTV with PP-120H Interface

Leviton Renoir II 0-10v

#### Central System

Lutron Grafix Eye with GRX-TVI Interface

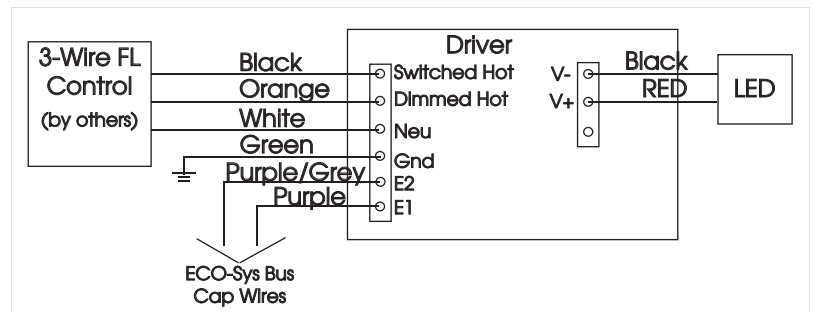
## LUTRON HI-LUME / ECO-SYSTEM (-HILUME Option)

Integrates into a variety of building management and daylighting controls

### Notes:

- 120v or 277v
- Dims down to 1% light output
- May use 3-Wire or Ecosystem Control
- Consult Dimming manufacturer for installation instructions - DO NOT SHARE NEUTRALS!

### 3-Wire Wiring Diagram



### Compatible Dimmers

#### Wall Box (3-Wire Fluorescent)

DIVA  
Maestro  
Nova T  
Vareo

#### Central System

Lutron ECO-System compatible controls  
ETC "SR" Rack w/D20F Module  
ETC "DRD" Rack w/D20F Module

### ECO System Digital Control Wiring

