

EVOKE® 2.9" HP

2.9" ROUND DOWNLIGHT LED

E2.9RD-HP-A15
LED



APPLICATION:

Commercial and retail ambient and task lighting

HOUSING CONSTRUCTION:

20 ga. steel painted matte black
Formed aperture plate with 5/8" lip (GB-standard)
Integral adjustable locking mounting bars
Thermally protected

REFLECTOR TRIM CONSTRUCTION:

Spun aluminum self-flanged reflector
Variety of anodized aperture finishes in both white and clear flange
Wet location option adds clear glass lens and silicone flange gasket

OPTICS:

Available in a variety of beam spreads

LED:

Color Temp Options: 2200K, 2700K, 3000K, 3500K, 4000K
CRI: 83 typ. (2700K, 3000K, 3500K, 4000K)
90+ typ. (2200K, 2700K, 3000K)
Amerlux Crisp White technology available (18w max)
R9 Value: 11 (83CRI), 55 (90+CRI)
Binning: 3 MacAdam (SDCM)
Life: 50,000 hrs
Lumen Maintenance: >70% of initial lumens @ 50,000 hrs
Lumen Output (20w, 3000K): up to 1232 lm; 62.4 lm/w
CBCP (20w, 3000K): up to 10921 max.

ELECTRICAL:

Electronic constant current LED driver, 120v or 277v input (voltage specific TP on 18w & 20w)
ELV and Triac dimming standard, 120v or 277v.
0-10v, Lutron & DALI systems available. See following pages for more information.

This product complies with IEEE C62.41 for surge endurance up to 2.5KV. Amerlux® recommends using additional surge protection with this unit (supplied by others), surge damage is not covered by warranty.

MOUNTING:

Specify ceiling mounting:
GRID: 1" deep aperture collar
GB (Gyp. Board): 5/8" deep aperture collar
Extra thick ceiling ring available for ceilings over 1" thick, consult factory

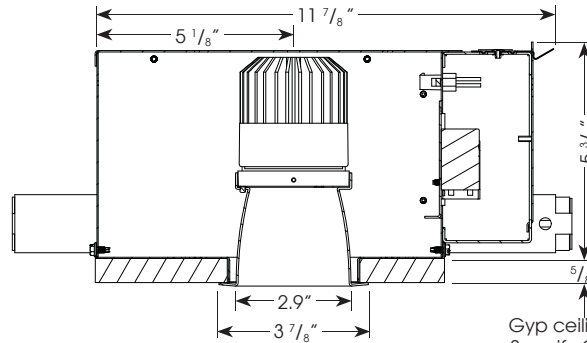
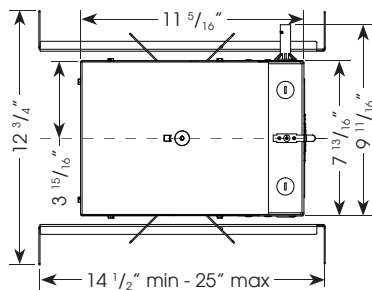
LABELING:



Damp location
Wet location, when WET option selected
IC/AT rated (11w only)

PROJECT:

TYPE:



Ceiling Cut Out Dimension: 3 7/8"

Gyp ceiling shown.
Specify GRID for 1" deep aperture collar.

ELECTRICAL

Electronic driver

	11w		18w*		20w*	
	System Watts	Amps	System Watts	Amps	System Watts	Amps
120v	11	0.09	18	0.15	20	0.17
277v	11	0.04	18	0.06	20	0.07

* 2w thermal protector included on 18w & 20w



5 year limited warranty
AMERLUX LED

(see website for details)

ORDERING INFORMATION:

Housing Model	Wattage	Lamp Type	Voltage	Ceiling Mounting	Options	Reflector Model	Aperture Finish	Beam Spread	Color Temp (CCT(K)-CRI)	Options
E2.9RD-HP-A15	11	LED	120	GB - 5/8" deep collar	HILUME - Lutron Hi-Lume® A-series dimming (Ecosystem or 3 wire)	E2.9RD-HP-A15	Reflector with White Painted Flange	SP - spot, 15°	27 - 2700-83	WET - wet location
	18		277	GRID - 1" deep collar	0-10V - 0-10V dimming (other, consult factory)		SDW - semi-diffuse	NF - narrow flood, 20°	30 - 3000-83	
	20				DALI - DALI driver		GDW - specular gold	MFL - medium flood, 24°	35 - 3500-83	
					CP - Chicago Plenum (CCEA)		BKW - specular black	FL - flood, 28°	40 - 4000-83	
					IC/AT - insulated ceiling/air tight (11w only)		MWW - matte white	WF - wide flood, 45°	229 - 2200-90+	
							Reflector with Clear Flange (flange finish matches cone finish)	VWF - very wide flood, 60°	279 - 2700-90+	CRISP - CrispWhite (18w max)
							SDC - semi-diffuse	LS - linear spread, 60° x 10°	309 - 3000-90+	
							GDC - specular gold			
							BKC - specular black			

Complete Unit Specification: E2.9RD-HP-A15-20-LED-120-GB/E2.9RD-HP-A15-SDW-SP-30

Housing Only: E2.9RD-HP-A15-20-LED-120-GB

Reflector Only: E2.9RD-HP-A15-SDW-SP-30

Cat #:

Amerlux® reserves the right to change details that do not affect overall function and performance.



EVOKE® 2.9" HP

2.9" ROUND DOWNLIGHT LED

E2.9RD-HP-A15
LED



TYPE:

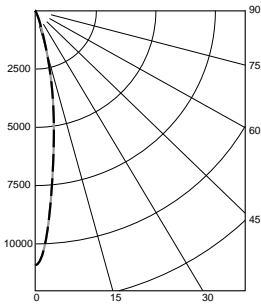


FIXTURE DATA: For 11w data, multiply by 0.55; For 18w data, multiply by 0.9

Complete photometric data (ies format) available upon request.

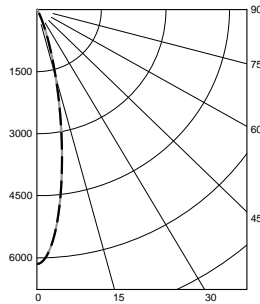
20W LED

SPOT
DISTRIBUTION
LTL # 1178257



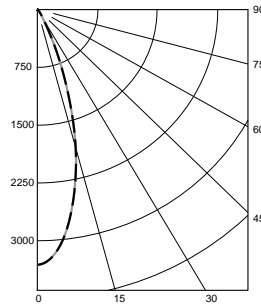
Candelas at Nadir	
Deg	Candela
0	10920
5	7588
15	1649
25	175
35	36
45	13

NARROW FLOOD
DISTRIBUTION
LTL # 1178258



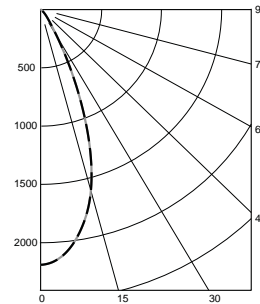
Candelas at Nadir	
Deg	Candela
0	6147
5	5282
15	1797
25	286
35	57
45	20

FLOOD
DISTRIBUTION
LTL # 1178260



Candelas at Nadir	
Deg	Candela
0	3312
5	3103
15	1859
25	486
35	85
45	30

WIDE FLOOD
DISTRIBUTION
LTL # 1178261

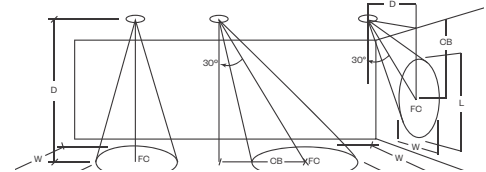


Candelas at Nadir	
Deg	Candela
0	2190
5	2117
15	1599
25	634
35	129
45	43

APPLICATION DATA:

Notes and Definitions:

Beam spread is to 50% center beam candlepower (CBCP).
 D=Distance to floor or wall.
 FC=Footcandles on floor or wall at center beam aiming location.
 L=Effective Visual Beam length in feet (50% of maximum footcandle level).
 W=Effective Visual Beam width in feet (50% of maximum footcandle level).
 CB=Distance across or down to center beam location.



0° Aiming Angle
Horizontal
Footcandles

	D	FC	L	W
SPOT	5.0'	260	1.9	1.9
	7.5'	144	2.6	2.6
	10.0'	90	3.2	3.2
	12.5'	61	3.8	3.8
NARROW FLOOD	5.0'	183	2.3	2.3
	7.5'	94	3.1	3.1
	10.0'	56	4.0	4.0
	12.5'	37	4.9	4.9
FLOOD	5.0'	114	2.9	2.9
	7.5'	55	4.2	4.2
	10.0'	32	5.5	5.5
	12.5'	21	6.9	6.9
WIDE FLOOD	5.0'	80	3.4	3.4
	7.5'	37	5.1	5.1
	10.0'	21	6.8	6.8
	12.5'	14	8.5	8.5

EVOKE® 2.9" HP

2.9" ROUND DOWNLIGHT LED

E2.9RD-HP-A15
LED



TYPE:



DIMMING COMPATIBILITY:

Amerlux® fixtures are compatible with all major dimming protocols prevalent in the United States. Please see below for general compatibilities and wiring diagrams. Amerlux® recommends testing your unique dimming configuration as the exact full configuration (Dimmer, Fixture Quantity, Voltage, etc) may affect dimming performance.

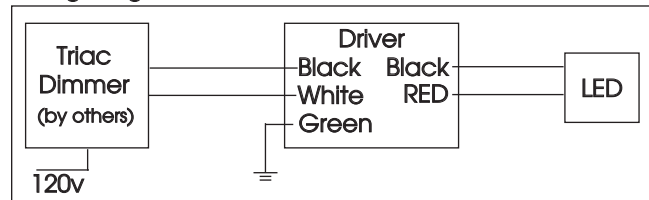
TRIAC (Forward Phase) DIMMING (standard)

Utilizes "Standard" incandescent dimmers that are in wide use in installations across the US. Best for retrofit applications where Triac dimmers are installed.

Notes:

- 120v or 277v
- Dims down to less than 5% light output (most cases)
- Consult Dimming manufacturer for installation instructions - DO NOT SHARE NEUTRALS!
- Must meet dimmer Minimum Load Requirements per dimming manufacturer

Wiring Diagram



Compatible Dimmers

Wall Box (Incandescent Style, Wattage as required)

Lutron "Diva"	Lutron "Vareo"
Lutron "Nova-T"	Lutron "Skylark"
Lutron "Maestro"	

Central System

ETC "SR" Rack w/D20 Module	ETC "DRD" Rack w/D20 Module
Lutron "GP" Panel	Lutron Grafix Eye QS

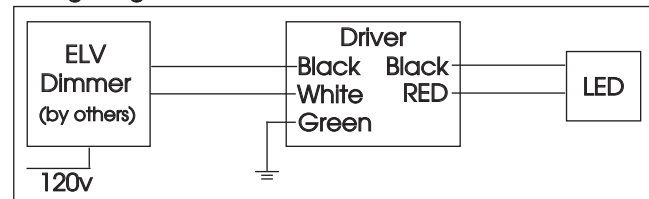
ELV - Electronic Low Voltage (Reverse Phase) DIMMING (standard)

Utilizes specialized "ELV" dimmers. Best for New Construction applications

Notes:

- 120v or 277v
- Dims down to less than 5% light output (most cases)
- Consult Dimming manufacturer for installation instructions - DO NOT SHARE NEUTRALS!
- Must meet dimmer Minimum Load Requirements

Wiring Diagram



Compatible Dimmers

Wall Box (ELV Style)

Lutron "Diva"	Lutron "Vareo"
Lutron "Nova-T"	Lutron "Skylark"
Lutron "Maestro"	
Leviton "Surslide"	Leviton "Vizio"

Central System

ETC "SR" Rack w/ELV10 Module	ETC "DRD" Rack w/ELV10 Module
Lutron "GP" Panel with PHPM-PA Interface	Lutron Grafix Eye QS with PHPM-PA Interface

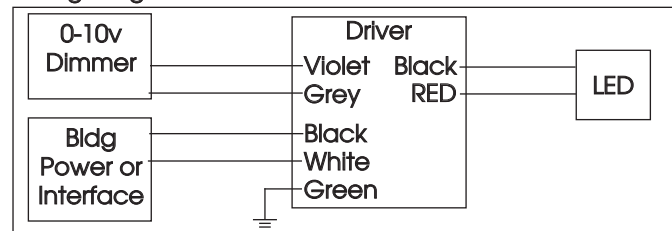
0-10V - DIMMING (-0-10V Option)

Integrates into a variety of building management and daylighting controls

Notes:

- 120v - 277v
- Dims down to 1% light output
- Requires interface to turn off power to driver
- Consult Dimming manufacturer for installation instructions - DO NOT SHARE NEUTRALS!

Wiring Diagram



Compatible Dimmers

Wall Box

Lutron "Diva" - DVTV with PP-120H Interface	Leviton Renoir II 0-10v
---	-------------------------

Central System

Lutron Grafix Eye with GRX-TVI Interface
--

EVOKE® 2.9" HP

2.9" ROUND DOWNLIGHT LED

E2.9RD-HP-A15
LED



TYPE:



LUTRON HI-LUME / ECO-SYSTEM (-HILUME Option)

Integrates into a variety of building management and daylighting controls

Notes:

- 120v or 277v
- Dims down to 1% light output
- May use 3-Wire or Ecosystem Control
- Consult Dimming manufacturer for installation instructions - DO NOT SHARE NEUTRALS!

Compatible Dimmers

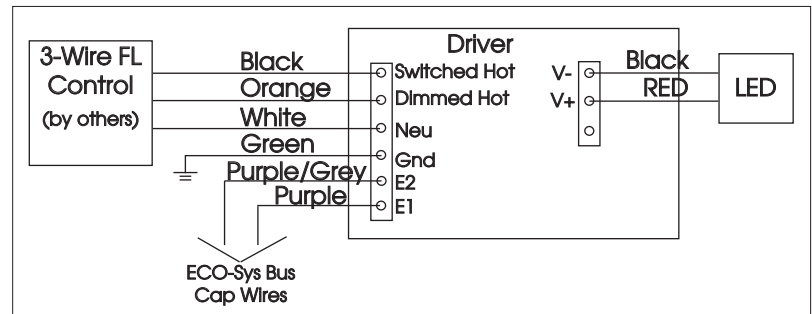
Wall Box (3-Wire Fluorescent)

DIVA
Maestro
Nova T
Vareo

Central System

Lutron ECO-System compatible controls
ETC "SR" Rack w/D20F Module
ETC "DRD" Rack w/D20F Module

3-Wire Wiring Diagram



ECO System Digital Control Wiring

