

# EVOKE® 2.9" HP

## 2.9" ROUND LENS WALL WASH LED

E2.9RLW-HP-A15  
LED



**APPLICATION:**

Commercial and retail wall wash lighting

**HOUSING CONSTRUCTION:**

20 ga. steel painted matte black  
Formed aperture plate with 5/8" lip (GB-standard)  
Integral adjustable locking mounting bars  
Thermally protected

**REFLECTOR TRIM CONSTRUCTION:**

Spun aluminum self-flanged reflector with bias cut  
Available in a variety of finishes  
Engineered diffusing lens  
Steel mounting ring with torsion spring  
Linear spread lens etched on the interior side

**OPTICS:**

LED:  
Color Temp Options: 2200K, 2700K, 3000K, 3500K, 4000K  
CRI: 83 typ. (2700K, 3000K, 3500K, 4000K)  
90+ typ. (2200K, 2700K, 3000K)  
Amerlux Crisp White technology available (18w max)  
R9 Value: 11 (83CRI), 55 (90+CRI)  
Binning: 3 MacAdam (SDCM)  
Life: 50,000 hrs  
Lumen Maintenance: >70% of initial lumens @ 50,000 hrs  
Lumen Output (20w, 3000K): 1033 lm

**ELECTRICAL:**

Electronic constant current LED driver, 120v or 277v input (voltage specific TP on 18w & 20w)  
ELV and Triac dimming standard, 120v or 277v.  
0-10v, Lutron & DALI systems available. See following pages for more information.  
**This product complies with IEEE C62.41 for surge endurance up to 2.5KV. Amerlux® recommends using additional surge protection with this unit (supplied by others), surge damage is not covered by warranty.**

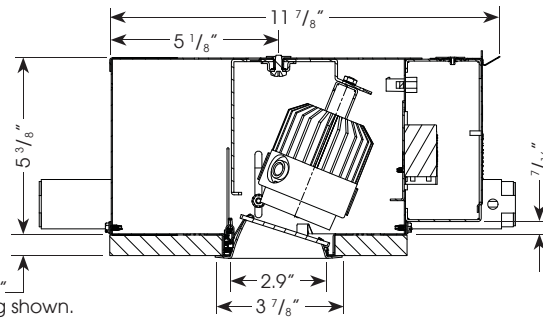
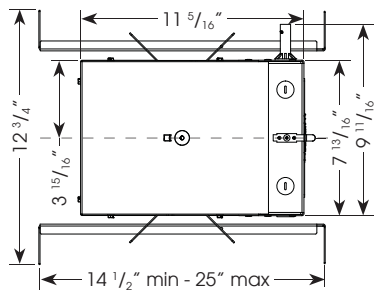
**MOUNTING:**

Specify ceiling mounting:  
GRID: 1" deep aperture collar  
GB (Gyp. Board): 5/8" deep aperture collar  
Note: Not recommended for ceilings over 1" thick

**LABELING:**

 US  
Damp location  
IC/AT rated (11w only)

PROJECT:  
  
TYPE:



Gyp ceiling shown. Specify GRID for 1" deep aperture collar. Ceiling Cut Out Dimension: 3 7/16"



**ELECTRICAL**

Electronic driver

	11w		18w*		20w*	
	System Watts	Amps	System Watts	Amps	System Watts	Amps
120v	11	0.09	18	0.15	20	0.17
277v	11	0.04	18	0.06	20	0.07

\* 2w thermal protector included on 18w & 20w

**ORDERING INFORMATION:**

Housing Model	Wattage	Lamp Type	Voltage	Ceiling Mounting	Color Temp (CCT(K)-CRI)	Options	Reflector Model	Aperture Finish
E2.9RLW-HP-A15	11	LED	120	GB - 5/8" deep collar	27 - 2700-83	HILUME - Lutron Hi-lume® A-series dimming (Ecosystem or 3 wire) 0-10V - 0-10v dimming DALI - DALI driver CP - Chicago Plenum (CCEA) IC/AT - insulated ceiling/air tight (11w only)	E2.9RLW-HP-A15	Reflector with White Painted Flange SDW - semi-diffuse CLW - specular clear MWW - matte white
	18		277		30 - 3000-83			
	20			GRID - 1" deep collar	35 - 3500-83			
				-	40 - 4000-83			
				(other, consult factory)	229 - 2200-90+			Reflector with Clear Flange (flange finish matches cone finish) SDC - semi-diffuse CLC - specular clear
					279 - 2700-90+			
					309 - 3000-90+			
					CRISP - CrispWhite (18w max)			



(see website for details)

Complete Unit Specification: E2.9RLW-HP-A15-20-LED-120-GB-30/E2.9RLW-HP-A15-SDW

Housing Only: E2.9RLW-HP-A15-20-LED-120-GB-30

Reflector Only: E2.9RLW-HP-A15-SDW

Cat #:

Amerlux® reserves the right to change details that do not affect overall function and performance.



# EVOKE® 2.9" HP

2.9" ROUND LENS WALL WASH LED

E2.9RLW-HP-A15  
LED



TYPE:



**FIXTURE DATA:** For 11W data, multiply by 0.55; For 18W data, multiply by 0.9

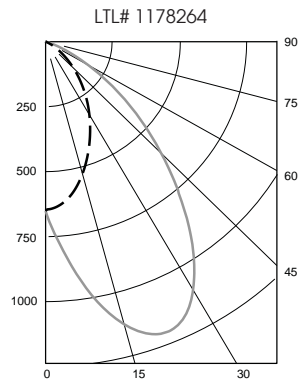
Complete photometric data (ies format) available upon request.

Evoked 2.9" Round Lens Wall Washer HP A15 20W LED  
Source: One white LED with patterned plastic optic Lumens: 1033  
Recessed

**ZONAL LUMEN SUMMARY**

Zone	Lumens	%Fixt
0-40	718	69.5
0-60	997	96.6
0-90	1033	100.0
90-180	0	0.0

Total Lumen Output: 1033  
Luminaire Efficacy: 52.8 lumens/watt



**APPLICATION DATA:**

**Footcandles on Wall**

Footcandles are average and rounded off.  
Data for multiple units are based on a minimum of five units.

1.5 Feet From Wall

	← 1.5' →		← 1.5' →		← 1.5' →		← 1.5' →	
Distance from ceiling	0.5'	1.5'	2.5'	3.5'	4.5'	5.5'	6.5'	7.5'
	14	118	91	53	33	22	15	11
	11	121	103	65	39	26	18	13
	12	124	109	69	44	28	20	14
	16	134	115	73	45	29	20	15
	12	124	109	70	44	28	20	14
	11	121	104	65	40	26	18	13
	15	118	92	54	33	22	15	11

1.5 Feet From Wall

	← 2' →		← 2' →		← 2' →		← 2' →	
Distance from ceiling	0.5'	1.5'	2.5'	3.5'	4.5'	5.5'	6.5'	7.5'
	14	107	79	46	27	18	13	10
	7	114	90	50	32	21	15	11
	15	114	80	55	34	23	16	12
	7	114	80	54	35	24	17	13
	15	114	80	57	36	24	17	13
	7	114	80	54	35	24	17	13
	15	107	79	50	34	23	16	12
	14	107	79	50	32	21	15	11

2 Feet From Wall

	← 2' →		← 2' →		← 2' →		← 2' →	
Distance from ceiling	0.5'	1.5'	2.5'	3.5'	4.5'	5.5'	6.5'	7.5'
	4	55	64	49	33	23	17	13
	4	49	68	61	39	27	19	15
	4	50	72	61	42	30	21	16
	5	50	77	61	43	31	22	17
	4	50	72	61	43	31	22	17
	4	49	76	61	43	30	21	16
	4	49	68	54	39	27	20	15
	4	55	64	54	33	23	17	13

# EVOKE® 2.9" HP

2.9" ROUND LENS WALL WASH LED

E2.9RLW-HP-A15  
LED



TYPE:



## DIMMING COMPATIBILITY:

Amerlux® fixtures are compatible with all major dimming protocols prevalent in the United States. Please see below for general compatibilities and wiring diagrams. Amerlux® recommends testing your unique dimming configuration as the exact full configuration (Dimmer, Fixture Quantity, Voltage, etc) may affect dimming performance.

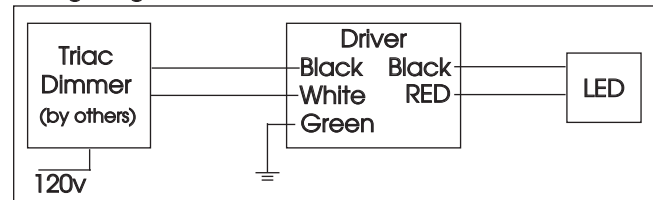
### TRIAC (Forward Phase) DIMMING (standard)

Utilizes "Standard" incandescent dimmers that are in wide use in installations across the US. Best for retrofit applications where Triac dimmers are installed.

#### Notes:

- 120v or 277v
- Dims down to less than 5% light output (most cases)
- Consult Dimming manufacturer for installation instructions - DO NOT SHARE NEUTRALS!
- Must meet dimmer Minimum Load Requirements per dimming manufacturer

#### Wiring Diagram



#### Compatible Dimmers

Wall Box (Incandescent Style, Wattage as required)

Lutron "Diva"  
Lutron "Nova-T"  
Lutron "Maestro"

Lutron "Vareo"  
Lutron "Skylark"

#### Central System

ETC "SR" Rack w/D20 Module  
Lutron "GP" Panel

ETC "DRD" Rack w/D20 Module  
Lutron Grafix Eye QS

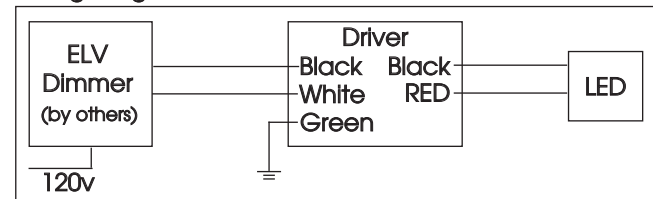
### ELV - Electronic Low Voltage (Reverse Phase) DIMMING (standard)

Utilizes specialized "ELV" dimmers. Best for New Construction applications

#### Notes:

- 120v or 277v
- Dims down to less than 5% light output (most cases)
- Consult Dimming manufacturer for installation instructions - DO NOT SHARE NEUTRALS!
- Must meet dimmer Minimum Load Requirements

#### Wiring Diagram



#### Compatible Dimmers

Wall Box (ELV Style)

Lutron "Diva"  
Lutron "Nova-T"  
Lutron "Maestro"  
Leviton "Surslide"

Lutron "Vareo"  
Lutron "Skylark"  
Leviton "Vizio"

#### Central System

ETC "SR" Rack w/ELV10 Module  
Lutron "GP" Panel with PHPM-PA Interface

ETC "DRD" Rack w/ELV10 Module  
Lutron Grafix Eye QS with PHPM-PA Interface

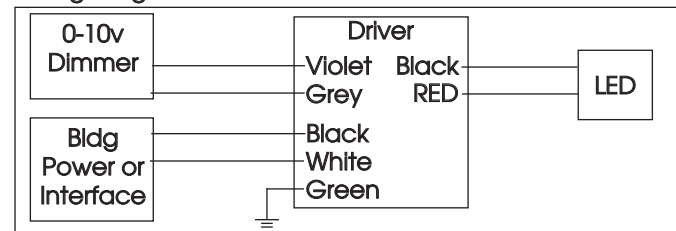
### 0-10V - DIMMING (-0-10V Option)

Integrates into a variety of building management and daylighting controls

#### Notes:

- 120v - 277v
- Dims down to 1% light output
- Requires interface to turn off power to driver
- Consult Dimming manufacturer for installation instructions - DO NOT SHARE NEUTRALS!

#### Wiring Diagram



#### Compatible Dimmers

Wall Box

Lutron "Diva" - DVTV with PP-120H Interface

Leviton Renoir II 0-10v

#### Central System

Lutron Grafix Eye with GRX-TVI Interface

# EVOKE® 2.9" HP

2.9" ROUND LENS WALL WASH LED

E2.9RLW-HP-A15  
LED



TYPE:



## LUTRON HI-LUME / ECO-SYSTEM (-HILUME Option)

Integrates into a variety of building management and daylighting controls

### Notes:

- 120v or 277v
- Dims down to 1% light output
- May use 3-Wire or Ecosystem Control
- Consult Dimming manufacturer for installation instructions - DO NOT SHARE NEUTRALS!

### Compatible Dimmers

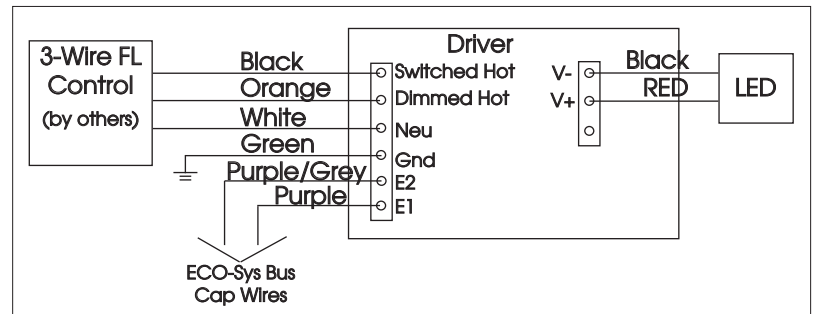
#### Wall Box (3-Wire Fluorescent)

DIVA  
Maestro  
Nova T  
Vareo

#### Central System

Lutron ECO-System compatible controls  
ETC "SR" Rack w/D20F Module  
ETC "DRD" Rack w/D20F Module

### 3-Wire Wiring Diagram



### ECO System Digital Control Wiring

