

# EVOKE® 2.9" HP

## 2.9" SQUARE PINHOLE ADJUSTABLE LED

### APPLICATION:

Commercial and retail accent and display lighting

### HOUSING CONSTRUCTION:

20 ga. steel painted matte black  
Formed aperture plate with  $\frac{5}{8}$ " lip (GB-standard)  
Integral adjustable locking mounting bars  
Thermally protected

### PINHOLE TRIM CONSTRUCTION:

Die-cast aluminum faceplate painted matte white  
Die-cast knife edge baffle painted matte black  
Spring steel mounting clips

### OPTICS:

Cam adjustment mechanism provides lockable 0-40° tilt;  
360°+ rotation  
Available in a variety of beam spreads  
LED:

Color Temp Options: 2200K, 2700K, 3000K, 3500K, 4000K  
CRI: 83 typ. (2700K, 3000K, 3500K, 4000K)  
90+ typ. (2200K, 2700K, 3000K)

Amerlux Crisp White technology available (18w max)

R9 Value: 11 (83CRI), 55 (90+CRI)

Binning: 3 MacAdam (SDCM)

Life: 50,000 hrs

Lumen Maintenance: >70% of initial lumens @ 50,000 hrs

Lumen Output (20w, 3000K): up to 1085 lm; 55.2 lm/w

CBCP (20w, 3000K): up to 7337 max.

### ELECTRICAL:

Electronic constant current LED driver, 120v or 277v input  
(voltage specific TP on 18w & 20w)  
ELV and Triac dimming standard, 120v or 277v.  
0-10v, Lutron & DALI systems available. See following pages  
for more information.

**This product complies with IEEE C62.41 for surge endurance  
up to 2.5KV. Amerlux® recommends using additional surge  
protection with this unit (supplied by others), surge damage  
is not covered by warranty.**

### MOUNTING:

Specify ceiling mounting:

GRID: 1" deep aperture collar

GB (Gyp. Board):  $\frac{5}{8}$ " deep aperture collar

Extra thick ceiling ring available for ceilings over 1" thick,  
consult factory

Note: Tilt adjustment reduced to 30° in ceilings  $1\frac{1}{4}$ " thick

### LABELING:



Damp location

IC/AT rated (11w only)

E2.9SPA-HP-A15  
LED



PROJECT:

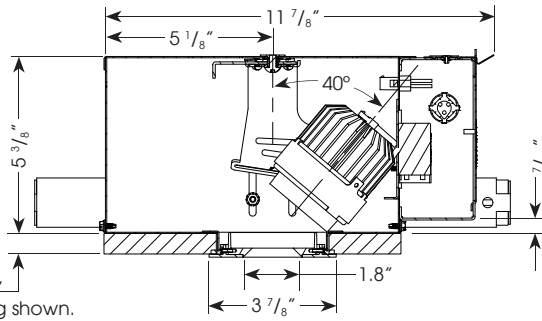
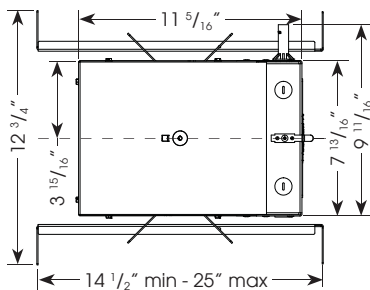
TYPE:



Electrostatic sensitive device,  
observe precautions for  
handling

**5** year limited  
warranty  
AMERLUX LED

(see website for details)



Ceiling Cut Out Dimension:  $3\frac{7}{16}$ "

### ELECTRICAL

Electronic driver

	11w		18w*		20w*	
	System Watts	Amps	System Watts	Amps	System Watts	Amps
120v	11	0.09	18	0.15	20	0.17
277v	11	0.04	18	0.06	20	0.07

\* 2w thermal protector included on 18w & 20w

### ORDERING INFORMATION:

Housing Model	Wattage	Lamp Type	Voltage	Beam Spread	Ceiling Mounting	Color Temp (CCT(K)-CRI)	Options	Reflector Model	Aperture Finish
E2.9SA-HP-A15	11	LED	120	SP - spot, 15°	GB - 5/8"	27 - 2700-83	HILUME - Lutron Hi-lume® A-series dimming (Ecosystem or 3 wire)	E2.9SPA-HP-A15	Faceplate with black baffle MW - matte white
	18		277	NF - narrow flood, 20°	deep collar	30 - 3000-83			
	20			MFL - medium flood, 24°	GRID - 1"	35 - 3500-83			
				FL - flood, 28°	deep collar	40 - 4000-83			
				WF - wide flood, 45°	_____	_____			
					(other, consult factory)	229 - 2200-90+	0-10V - 0-10v dimming DALI - DALI driver CP - Chicago Plenum (CCEA)		
						279 - 2700-90+	IC/AT - insulated ceiling/air tight (11w only)		
						309 - 3000-90+			
						CRISP - CrispWhite (18w max)			

Complete Unit Specification: E2.9SA-HP-A15-20-LED-120-SP-GB-30/E2.9SPA-HP-A15-MWW

Housing Only: E2.9SA-HP-A15-20-LED-120-SP-GB-30

Reflector Only: E2.9SPA-HP-A15-MWW

Cat #:

Amerlux® reserves the right to change details that do not affect overall function and performance.

# EVOKE® 2.9" HP

2.9" SQUARE PINHOLE ADJUSTABLE LED

E2.9SPA-HP-A15  
LED



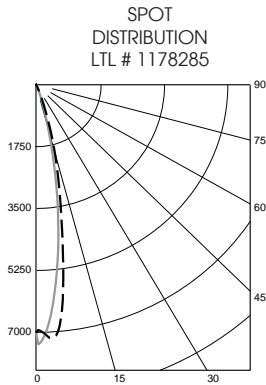
TYPE:



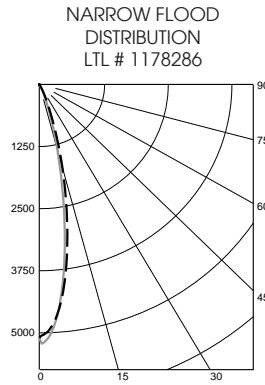
**FIXTURE DATA:** For 11w data, multiply by 0.55; For 18w data, multiply by 0.9

Complete photometric data (ies format) available upon request.

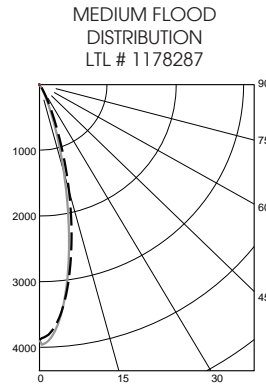
## 20W LED



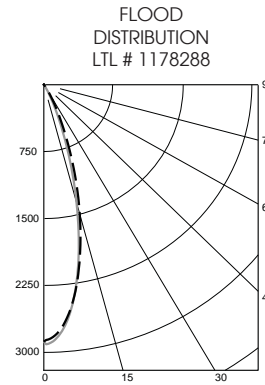
Candelas at Nadir	
Deg	Candela
0	7011
5	5770
15	1178
25	97
35	10
45	2



Candelas at Nadir	
Deg	Candela
0	5097
5	4472
15	1346
25	157
35	16
45	3



Candelas at Nadir	
Deg	Candela
0	3887
5	3554
15	1434
25	237
35	21
45	3

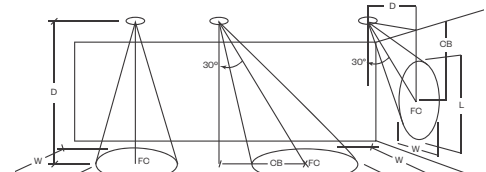


Candelas at Nadir	
Deg	Candela
0	2879
5	2701
15	1386
25	288
35	22
45	3

## APPLICATION DATA:

### Notes and Definitions:

Beam spread is to 50% center beam candlepower (CBCP).  
 D=Distance to floor or wall.  
 FC=Footcandles on floor or wall at center beam aiming location.  
 L=Effective Visual Beam length in feet (50% of maximum footcandle level).  
 W=Effective Visual Beam width in feet (50% of maximum footcandle level).  
 CB=Distance across or down to center beam location.



		0° Aiming Angle Horizontal Footcandles			
		D	FC	L	W
SPOT	5.0'	211	1.9	2.3	
	7.5'	111	2.7	3.1	
	10.0'	66	3.4	4.0	
	12.5'	43	4.1	5.0	
NARROW FLOOD	5.0'	156	2.2	2.4	
	7.5'	80	3.0	3.3	
	10.0'	47	3.8	4.3	
	12.5'	31	4.8	5.3	
MEDIUM FLOOD	5.0'	125	2.5	2.6	
	7.5'	62	3.4	3.7	
	10.0'	37	4.5	4.8	
	12.5'	24	5.5	5.9	
FLOOD	5.0'	97	2.8	2.9	
	7.5'	47	3.8	4.0	
	10.0'	27	5.1	5.4	
	12.5'	18	6.3	6.7	

# EVOKE® 2.9" HP

2.9" SQUARE PINHOLE ADJUSTABLE LED

E2.9SPA-HP-A15  
LED



TYPE:



## DIMMING COMPATIBILITY:

Amerlux® fixtures are compatible with all major dimming protocols prevalent in the United States. Please see below for general compatibilities and wiring diagrams. Amerlux® recommends testing your unique dimming configuration as the exact full configuration (Dimmer, Fixture Quantity, Voltage, etc) may affect dimming performance.

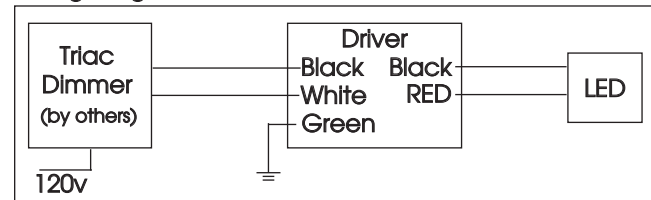
### TRIAC (Forward Phase) DIMMING (standard)

Utilizes "Standard" incandescent dimmers that are in wide use in installations across the US. Best for retrofit applications where Triac dimmers are installed.

#### Notes:

- 120v or 277v
- Dims down to less than 5% light output (most cases)
- Consult Dimming manufacturer for installation instructions - DO NOT SHARE NEUTRALS!
- Must meet dimmer Minimum Load Requirements per dimming manufacturer

#### Wiring Diagram



#### Compatible Dimmers

##### Wall Box (Incandescent Style, Wattage as required)

Lutron "Diva"	Lutron "Vareo"
Lutron "Nova-T"	Lutron "Skylark"
Lutron "Maestro"	

##### Central System

ETC "SR" Rack w/D20 Module	ETC "DRD" Rack w/D20 Module
Lutron "GP" Panel	Lutron Grafix Eye QS

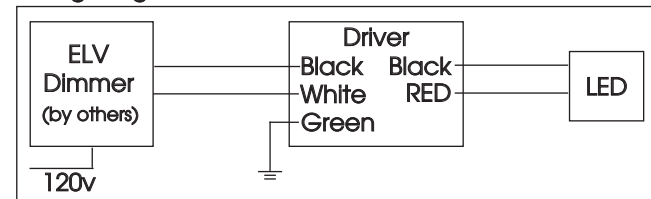
### ELV - Electronic Low Voltage (Reverse Phase) DIMMING (standard)

Utilizes specialized "ELV" dimmers. Best for New Construction applications

#### Notes:

- 120v or 277v
- Dims down to less than 5% light output (most cases)
- Consult Dimming manufacturer for installation instructions - DO NOT SHARE NEUTRALS!
- Must meet dimmer Minimum Load Requirements

#### Wiring Diagram



#### Compatible Dimmers

##### Wall Box (ELV Style)

Lutron "Diva"	Lutron "Vareo"
Lutron "Nova-T"	Lutron "Skylark"
Lutron "Maestro"	
Leviton "Surslide"	Leviton "Vizio"

##### Central System

ETC "SR" Rack w/ELV10 Module	ETC "DRD" Rack w/ELV10 Module
Lutron "GP" Panel with PHPM-PA Interface	Lutron Grafix Eye QS with PHPM-PA Interface

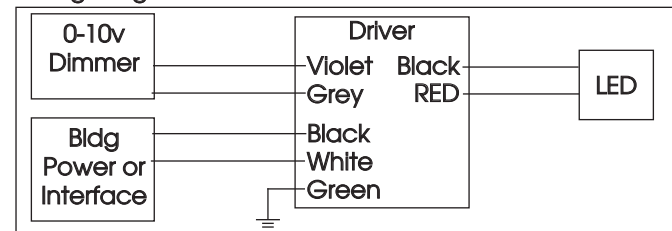
### 0-10V - DIMMING (-0-10V Option)

Integrates into a variety of building management and daylighting controls

#### Notes:

- 120v - 277v
- Dims down to 1% light output
- Requires interface to turn off power to driver
- Consult Dimming manufacturer for installation instructions - DO NOT SHARE NEUTRALS!

#### Wiring Diagram



#### Compatible Dimmers

##### Wall Box

Lutron "Diva" - DVTV with PP-120H Interface	Leviton Renoir II 0-10v
---	-------------------------

##### Central System

Lutron Grafix Eye with GRX-TVI Interface
--

# EVOKE® 2.9" HP

2.9" SQUARE PINHOLE ADJUSTABLE LED

E2.9SPA-HP-A15  
LED



TYPE:



## LUTRON HI-LUME / ECO-SYSTEM (-HILUME Option)

Integrates into a variety of building management and daylighting controls

### Notes:

- 120v or 277v
- Dims down to 1% light output
- May use 3-Wire or Ecosystem Control
- Consult Dimming manufacturer for installation instructions - DO NOT SHARE NEUTRALS!

### Compatible Dimmers

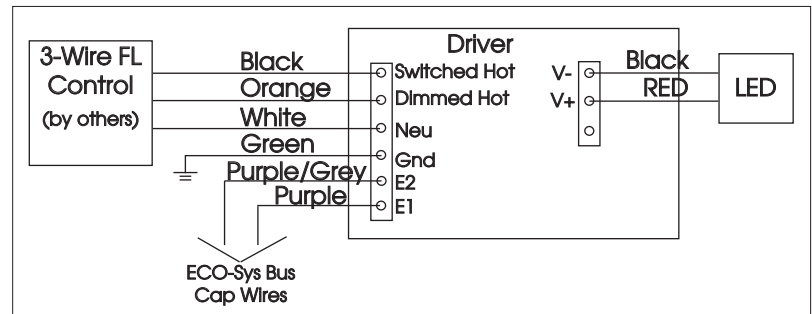
#### Wall Box (3-Wire Fluorescent)

DIVA  
Maestro  
Nova T  
Vareo

#### Central System

Lutron ECO-System compatible controls  
ETC "SR" Rack w/D20F Module  
ETC "DRD" Rack w/D20F Module

### 3-Wire Wiring Diagram



### ECO System Digital Control Wiring

