

EVOKE® 2.9" HP

2.9" SQUARE LENS WALL WASH LED

APPLICATION:

Commercial and retail wall wash lighting

HOUSING CONSTRUCTION:

20 ga. steel painted matte black
Formed aperture plate with 5/8" lip (GB-standard)
Integral adjustable locking mounting bars
Thermally protected

REFLECTOR TRIM CONSTRUCTION:

Die-cast aluminum seamless self-flanged trim
Painted finishes include matte white and optical matte black with matte white flange
Engineered diffusing lens

OPTICS:

LED:

Color Temp Options: 2200K, 2700K, 3000K, 3500K, 4000K
CRI: 83 typ. (2700K, 3000K, 3500K, 4000K)
90+ typ. (2200K, 2700K, 3000K)
Amerlux Crisp White technology available (18w max)
R9 Value: 11 (83CRI), 55 (90+CRI)
Binning: 3 MacAdam (SDCM)
Life: 50,000 hrs
Lumen Maintenance: >70% of initial lumens @ 50,000 hrs
Lumen Output (20w, 3000K): 997 lm

ELECTRICAL:

Electronic constant current LED driver, 120v or 277v input (voltage specific TP on 18w & 20w)
ELV and Triac dimming standard, 120v or 277v.
0-10v, Lutron & DALI systems available. See following pages for more information.

This product complies with IEEE C62.41 for surge endurance up to 2.5KV. Amerlux® recommends using additional surge protection with this unit (supplied by others), surge damage is not covered by warranty.

MOUNTING:

For use in T-grid or sheet rock ceilings, 5/8" - 1" standard

LABELING:



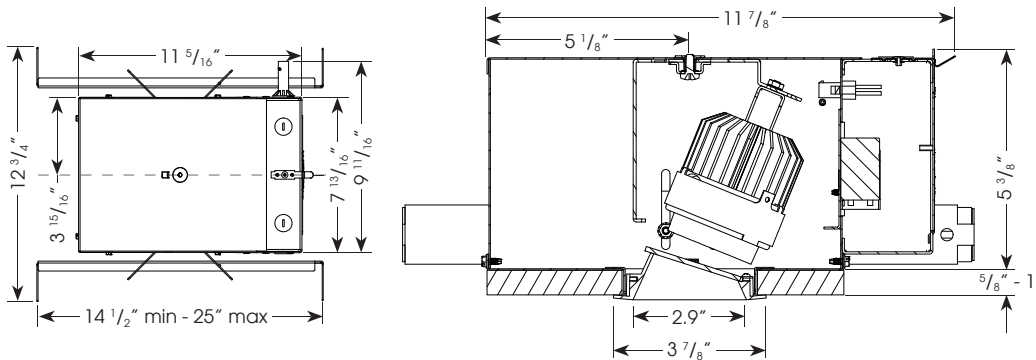
Damp location
IC/AT rated (11w only)

E2.9SLW-HP-A15
LED



PROJECT:

TYPE:



Ceiling Cut Out Dimension: 3 7/16"

ELECTRICAL

Electronic driver

	11w		18w*		20w*	
	System Watts	Amps	System Watts	Amps	System Watts	Amps
120v	11	0.09	18	0.15	20	0.17
277v	11	0.04	18	0.06	20	0.07

* 2w thermal protector included on 18w & 20w



5 year limited warranty
AMERLUX LED

(see website for details)

ORDERING INFORMATION:

Housing Model	Wattage	Lamp Type	Voltage	Ceiling Mounting	Color Temp (CCT(K)-CRI)	Options	Reflector Model	Aperture Finish
E2.9SLW-HP-A15	11	LED	120	GB - 5/8" deep collar	27 - 2700-83	HILUME - Lutron Hi-lume® A-series dimming (Ecosystem or 3 wire)	E2.9SLW-HP-A15	Reflector with White Painted Flange
	18		277		30 - 3000-83			
E2.9SLW-HP-A15	20	LED	120	GRID - 1" deep collar	35 - 3500-83	0-10V - 0-10v dimming DALI - DALI driver CP - Chicago Plenum (CCEA) IC/AT - insulated ceiling/air tight (11w only)	E2.9SLW-HP-A15	MBW - matte black MWW - matte white SLVW - matte silver
					40 - 4000-83			
					(other, consult factory)			
					CRISP - CrispWhite (18w max)			

Complete Unit Specification: E2.9SLW-HP-A15-20-LED-120-GB-30/E2.9SLW-HP-A15-MBW

Housing Only: E2.9SLW-HP-A15-20-LED-120-GB-30

Reflector Only: E2.9SLW-G2-HP-MBW

Cat #:

Amerlux® reserves the right to change details that do not affect overall function and performance.



EVOKE® 2.9" HP

2.9" SQUARE LENS WALL WASH LED

E2.9SLW-HP-A15
LED



TYPE:



FIXTURE DATA: For 11w data, multiply by 0.55; For 18w data, multiply by 0.9

Complete photometric data (ies format) available upon request.

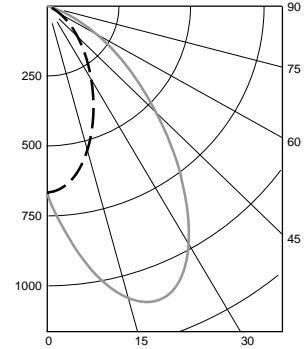
Evoked 2.9" Square Lens Wall Washer HP A15 20w LED
Source: One white LED with patterned plastic optic Lumens: 997
Recessed

ZONAL LUMEN SUMMARY

Zone	Lumens	%Fixt
0-40	673	67.5
0-60	936	93.9
0-90	997	100.0
90-180	0	0.0

Total Lumen Output: 997
Luminaire Efficacy: 51 lumens/watt

LTL# 1178284



APPLICATION DATA:

Footcandles on Wall

Footcandles are average and rounded off.
Data for multiple units are based on a minimum of five units.

1.5 Feet From Wall

	← 1.5' →		← 1.5' →		← 1.5' →		← 1.5' →	
Distance from ceiling	0.5'	19	20	20	22	20	20	20
	1.5'	105	110	114	122	114	111	105
	2.5'	82	93	99	104	99	93	82
	3.5'	50	60	65	67	65	60	50
	4.5'	31	37	41	42	41	37	31
	5.5'	21	25	27	28	27	25	21
	6.5'	15	17	19	19	19	17	15
	7.5'	11	13	14	14	14	13	11

1.5 Feet From Wall

	← 2' →		← 2' →		← 2' →		← 2' →	
Distance from ceiling	0.5'	19	12	20	13	20	13	20
	1.5'	95	74	103	75	103	75	103
	2.5'	71	69	81	72	82	72	81
	3.5'	42	46	51	49	53	49	51
	4.5'	26	30	32	33	34	33	32
	5.5'	17	20	22	22	23	22	20
	6.5'	12	14	16	16	16	16	14
	7.5'	9	11	12	12	12	12	11

2 Feet From Wall

	← 2' →		← 2' →		← 2' →		← 2' →	
Distance from ceiling	0.5'	6	6	7	7	7	7	6
	1.5'	52	51	58	53	59	53	58
	2.5'	58	61	68	65	69	65	68
	3.5'	44	49	54	53	56	53	54
	4.5'	30	36	39	40	41	40	39
	5.5'	22	25	28	29	29	29	28
	6.5'	16	18	20	21	21	21	20
	7.5'	12	14	15	16	16	16	15

EVOKE® 2.9" HP

2.9" SQUARE LENS WALL WASH LED

E2.9SLW-HP-A15
LED



TYPE:



DIMMING COMPATIBILITY:

Amerlux® fixtures are compatible with all major dimming protocols prevalent in the United States. Please see below for general compatibilities and wiring diagrams. Amerlux® recommends testing your unique dimming configuration as the exact full configuration (Dimmer, Fixture Quantity, Voltage, etc) may affect dimming performance.

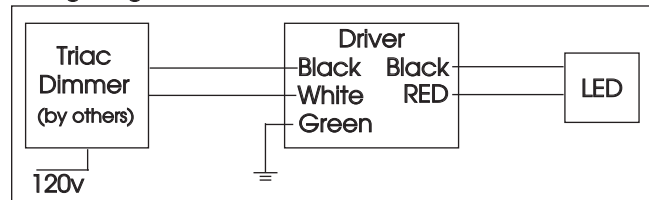
TRIAC (Forward Phase) DIMMING (standard)

Utilizes "Standard" incandescent dimmers that are in wide use in installations across the US. Best for retrofit applications where Triac dimmers are installed.

Notes:

- 120v or 277v
- Dims down to less than 5% light output (most cases)
- Consult Dimming manufacturer for installation instructions - DO NOT SHARE NEUTRALS!
- Must meet dimmer Minimum Load Requirements per dimming manufacturer

Wiring Diagram



Compatible Dimmers

Wall Box (Incandescent Style, Wattage as required)

Lutron "Diva"	Lutron "Vareo"
Lutron "Nova-T"	Lutron "Skylark"
Lutron "Maestro"	

Central System

ETC "SR" Rack w/D20 Module	ETC "DRD" Rack w/D20 Module
Lutron "GP" Panel	Lutron Grafix Eye QS

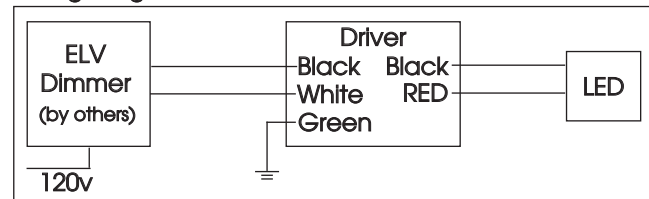
ELV - Electronic Low Voltage (Reverse Phase) DIMMING (standard)

Utilizes specialized "ELV" dimmers. Best for New Construction applications

Notes:

- 120v or 277v
- Dims down to less than 5% light output (most cases)
- Consult Dimming manufacturer for installation instructions - DO NOT SHARE NEUTRALS!
- Must meet dimmer Minimum Load Requirements

Wiring Diagram



Compatible Dimmers

Wall Box (ELV Style)

Lutron "Diva"	Lutron "Vareo"
Lutron "Nova-T"	Lutron "Skylark"
Lutron "Maestro"	
Leviton "Surslide"	Leviton "Vizio"

Central System

ETC "SR" Rack w/ELV10 Module	ETC "DRD" Rack w/ELV10 Module
Lutron "GP" Panel with PHPM-PA Interface	Lutron Grafix Eye QS with PHPM-PA Interface

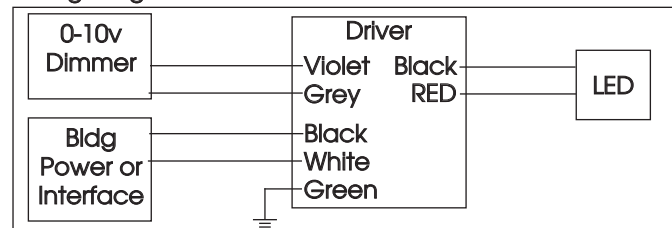
0-10V - DIMMING (-0-10V Option)

Integrates into a variety of building management and daylighting controls

Notes:

- 120v - 277v
- Dims down to 1% light output
- Requires interface to turn off power to driver
- Consult Dimming manufacturer for installation instructions - DO NOT SHARE NEUTRALS!

Wiring Diagram



Compatible Dimmers

Wall Box

Lutron "Diva" - DVTV with PP-120H Interface	Leviton Renoir II 0-10v
---	-------------------------

Central System

Lutron Grafix Eye with GRX-TVI Interface
--

EVOKE® 2.9" HP

2.9" SQUARE LENS WALL WASH LED

E2.9SLW-HP-A15
LED



TYPE:



LUTRON HI-LUME / ECO-SYSTEM (-HILUME Option)

Integrates into a variety of building management and daylighting controls

Notes:

- 120v or 277v
- Dims down to 1% light output
- May use 3-Wire or Ecosystem Control
- Consult Dimming manufacturer for installation instructions - DO NOT SHARE NEUTRALS!

Compatible Dimmers

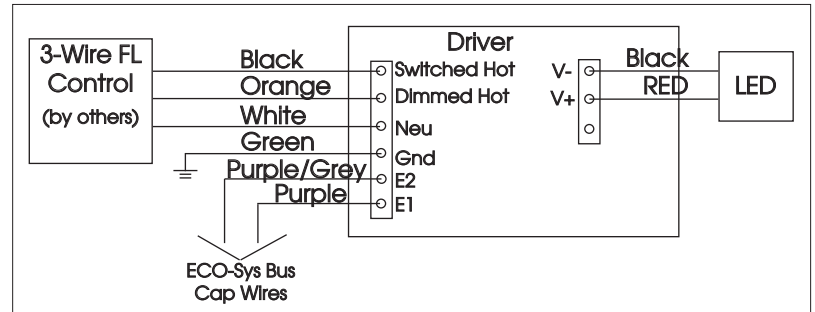
Wall Box (3-Wire Fluorescent)

DIVA
Maestro
Nova T
Vareo

Central System

Lutron ECO-System compatible controls
ETC "SR" Rack w/D20F Module
ETC "DRD" Rack w/D20F Module

3-Wire Wiring Diagram



ECO System Digital Control Wiring

