

EVOKE® 2.9" HP

2.9" ROUND DOWNLIGHT TRIMLESS LED

APPLICATION:

Commercial and retail ambient and task lighting

HOUSING CONSTRUCTION:

20 ga. steel painted matte black
Formed aperture plate with $\frac{5}{8}$ " lip (GB-standard)
Cast aluminum plaster frame with perforated face
Integral adjustable locking mounting bars
Thermally protected

REFLECTOR TRIM CONSTRUCTION:

Spun aluminum reflector
Semi-diffuse or specular clear finish

ELECTRICAL:

Electronic constant current LED driver, 120v or 277v input (voltage specific TP on 18w & 20w)
ELV and Triac dimming standard, 120v or 277v.
0-10v, Lutron & DALI systems available. See following pages for more information.

This product complies with IEEE C62.41 for surge endurance up to 2.5KV. Amerlux® recommends using additional surge protection with this unit (supplied by others), surge damage is not covered by warranty.

OPTICS:

Available in a variety of beam spreads

LED:

Color Temp Options: 2200K, 2700K, 3000K, 3500K, 4000K
CRI: 83 typ. (2700K, 3000K, 3500K, 4000K)
90+ typ. (2200K, 2700K, 3000K)

Amerlux Crisp White technology available (18w max)

R9 Value: 11 (83CRI), 55 (90+CRI)

Binning: 3 MacAdam (SDCM)

Life: 50,000 hrs

Lumen Maintenance: >70% of initial lumens @ 50,000 hrs

Lumen Output (20w, 3000K): up to 1232 lm; 62.4 lm/w

CBCP (20w, 3000K): up to 10921 max.

MOUNTING:

For use in sheet rock ceilings, ceiling thickness $\frac{5}{8}$ "

Other Ceilings: Consult factory for other ceiling thicknesses or for use in millwork ceilings

LABELING:



Damp location

IC/AT rated (11w only)

E2.9RD-HP-A15-TL
LED

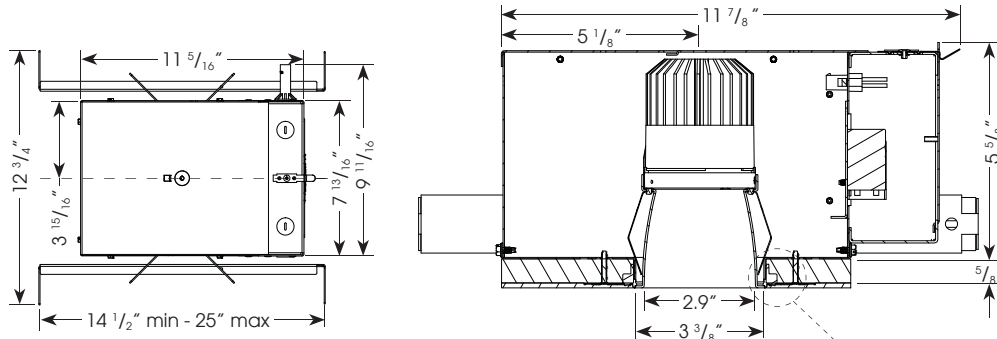


PROJECT:

TYPE:

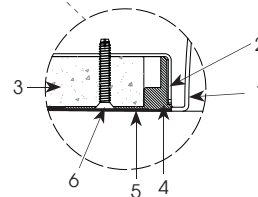


Electrostatic sensitive device,
observe precautions for
handling



Ceiling Cut Out Dimension: $4 \frac{1}{16}$ "

1. Reflector Trim
2. Fixture Housing Aperture Plate
3. Ceiling $\frac{5}{8}$ " (1" max)
4. Cast Aluminum Plaster Frame
5. Plaster Skim Coat (by others)
6. 6-32 Type F Thread Cutting Screw



ELECTRICAL

Electronic driver

	11w		18w*		20w*	
	System Watts	Amps	System Watts	Amps	System Watts	Amps
120v	11	0.09	18	0.15	20	0.17
277v	11	0.04	18	0.06	20	0.07

* 2w thermal protector included on 18w & 20w

ORDERING INFORMATION:

Housing Model	Wattage	Lamp Type	Voltage	Options	Reflector Model	Aperture Finish	Beam Spread	Color Temp (CCT)(K)-CRI)
E2.9RD-HP-A15-TL	11	LED	120	HILUME - Lutron Hi-Lume® A-series dimming (Ecosystem or 3 wire) 0-10V - 0-10v dimming DALI - DALI driver CP - Chicago Plenum (CCEA) IC/AT - insulated ceiling/air tight (11w only)	E2.9RD-HP-A15-TL	SDC - semi-diffuse clear CLC - specular clear	SP - spot, 15°	27 - 2700-83
	18		NF - narrow flood, 20°				30 - 3000-83	
	20		MFL - medium flood, 24°				35 - 3500-83	
							FL - flood, 28°	40 - 4000-83
							WF - wide flood, 45°	229 - 2200-90+
							VWF - very wide flood, 60°	279 - 2700-90+
							LS - linear spread, 60° x 10°	309 - 3000-90+
								CRISP - CrispWhite (18w max)

Complete Unit Specification: E2.9RD-HP-A15-TL-20-LED-120/E2.9RD-HP-A15-TL-SDC-SP-30

Housing Only: E2.9RD-HP-A15-TL-20-LED-120

Reflector Only: E2.9RD-HP-A15-TL-SDC-SP-30

Cat #:

Amerlux® reserves the right to change details that do not affect overall function and performance.



EVOKE® 2.9" HP

2.9" ROUND DOWNLIGHT TRIMLESS LED

E2.9RD-HP-A15-TL
LED



TYPE:

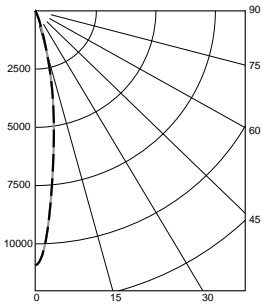


FIXTURE DATA: For 11w data, multiply by 0.55; For 18w data, multiply by 0.9

Complete photometric data (ies format) available upon request.

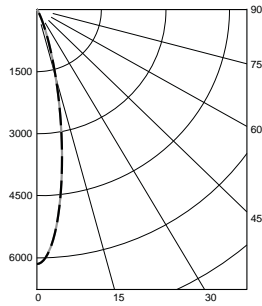
20W LED

SPOT
DISTRIBUTION
LTL # 1178257



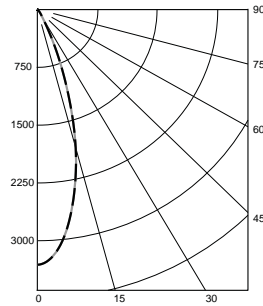
Candelas at Nadir	
Deg	Candela
0	10920
5	7588
15	1649
25	175
35	36
45	13

NARROW FLOOD
DISTRIBUTION
LTL # 1178258



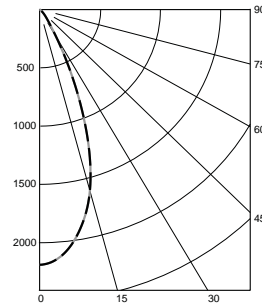
Candelas at Nadir	
Deg	Candela
0	6147
5	5282
15	1797
25	286
35	57
45	20

FLOOD
DISTRIBUTION
LTL # 1178260



Candelas at Nadir	
Deg	Candela
0	3312
5	3103
15	1859
25	486
35	85
45	30

WIDE FLOOD
DISTRIBUTION
LTL # 1178261

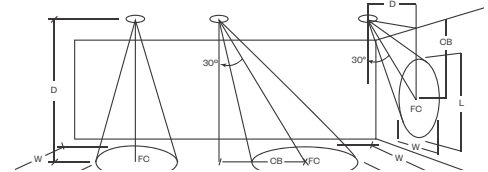


Candelas at Nadir	
Deg	Candela
0	2190
5	2117
15	1599
25	634
35	129
45	43

APPLICATION DATA:

Notes and Definitions:

Beam spread is to 50% center beam candlepower (CBCP).
 D=Distance to floor or wall.
 FC=Footcandles on floor or wall at center beam aiming location.
 L=Effective Visual Beam length in feet (50% of maximum footcandle level).
 W=Effective Visual Beam width in feet (50% of maximum footcandle level).
 CB=Distance across or down to center beam location.



0° Aiming Angle
Horizontal
Footcandles

	D	FC	L	W
SPOT	5.0'	260	1.9	1.9
	7.5'	144	2.6	2.6
	10.0'	90	3.2	3.2
	12.5'	61	3.8	3.8
NARROW FLOOD	5.0'	183	2.3	2.3
	7.5'	94	3.1	3.1
	10.0'	56	4.0	4.0
	12.5'	37	4.9	4.9
FLOOD	5.0'	114	2.9	2.9
	7.5'	55	4.2	4.2
	10.0'	32	5.5	5.5
	12.5'	21	6.9	6.9
WIDE FLOOD	5.0'	80	3.4	3.4
	7.5'	37	5.1	5.1
	10.0'	21	6.8	6.8
	12.5'	14	8.5	8.5

EVOKE® 2.9" HP

2.9" ROUND DOWNLIGHT TRIMLESS LED

E2.9RD-HP-A15-TL
LED



TYPE:



DIMMING COMPATIBILITY:

Amerlux® fixtures are compatible with all major dimming protocols prevalent in the United States. Please see below for general compatibilities and wiring diagrams. Amerlux® recommends testing your unique dimming configuration as the exact full configuration (Dimmer, Fixture Quantity, Voltage, etc) may affect dimming performance.

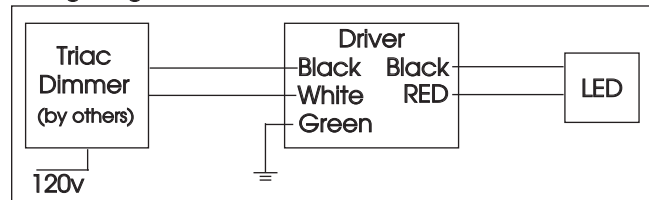
TRIAC (Forward Phase) DIMMING (standard)

Utilizes "Standard" incandescent dimmers that are in wide use in installations across the US. Best for retrofit applications where Triac dimmers are installed.

Notes:

- 120v or 277v
- Dims down to less than 5% light output (most cases)
- Consult Dimming manufacturer for installation instructions - DO NOT SHARE NEUTRALS!
- Must meet dimmer Minimum Load Requirements per dimming manufacturer

Wiring Diagram



Compatible Dimmers

Wall Box (Incandescent Style, Wattage as required)

Lutron "Diva"	Lutron "Vareo"
Lutron "Nova-T"	Lutron "Skylark"
Lutron "Maestro"	

Central System

ETC "SR" Rack w/D20 Module	ETC "DRD" Rack w/D20 Module
Lutron "GP" Panel	Lutron Grafix Eye QS

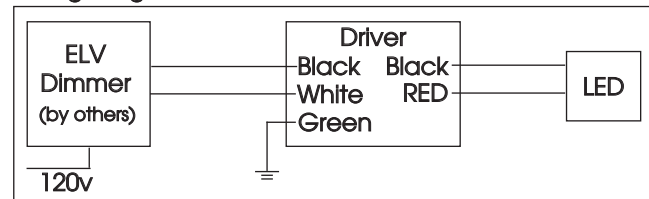
ELV - Electronic Low Voltage (Reverse Phase) DIMMING (standard)

Utilizes specialized "ELV" dimmers. Best for New Construction applications

Notes:

- 120v or 277v
- Dims down to less than 5% light output (most cases)
- Consult Dimming manufacturer for installation instructions - DO NOT SHARE NEUTRALS!
- Must meet dimmer Minimum Load Requirements

Wiring Diagram



Compatible Dimmers

Wall Box (ELV Style)

Lutron "Diva"	Lutron "Vareo"
Lutron "Nova-T"	Lutron "Skylark"
Lutron "Maestro"	
Leviton "Surslide"	Leviton "Vizio"

Central System

ETC "SR" Rack w/ELV10 Module	ETC "DRD" Rack w/ELV10 Module
Lutron "GP" Panel with PHPM-PA Interface	Lutron Grafix Eye QS with PHPM-PA Interface

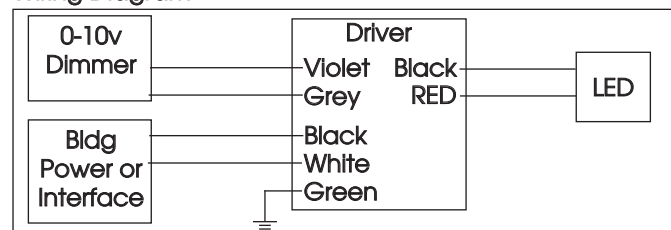
0-10V - DIMMING (-0-10V Option)

Integrates into a variety of building management and daylighting controls

Notes:

- 120v - 277v
- Dims down to 1% light output
- Requires interface to turn off power to driver
- Consult Dimming manufacturer for installation instructions - DO NOT SHARE NEUTRALS!

Wiring Diagram



Compatible Dimmers

Wall Box

Lutron "Diva" - DVTV with PP-120H Interface	Leviton Renoir II 0-10v
---	-------------------------

Central System

Lutron Grafix Eye with GRX-TVI Interface
--

EVOKE® 2.9" HP

2.9" ROUND DOWNLIGHT TRIMLESS LED

E2.9RD-HP-A15-TL
LED



TYPE:



LUTRON HI-LUME / ECO-SYSTEM (-HILUME Option)

Integrates into a variety of building management and daylighting controls

Notes:

- 120v or 277v
- Dims down to 1% light output
- May use 3-Wire or Ecosystem Control
- Consult Dimming manufacturer for installation instructions - DO NOT SHARE NEUTRALS!

Compatible Dimmers

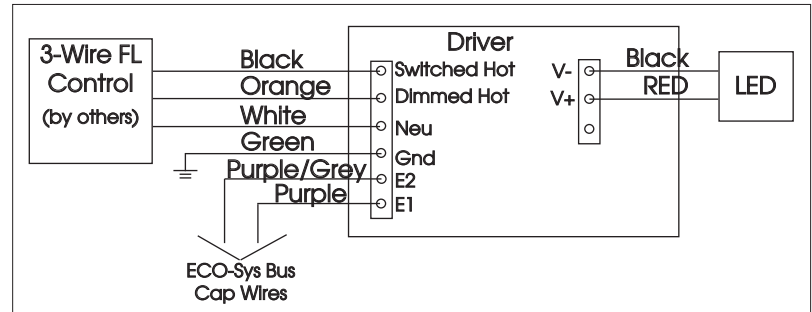
Wall Box (3-Wire Fluorescent)

DIVA
Maestro
Nova T
Vareo

Central System

Lutron ECO-System compatible controls
ETC "SR" Rack w/D20F Module
ETC "DRD" Rack w/D20F Module

3-Wire Wiring Diagram



ECO System Digital Control Wiring

