

EVOKE® 2.9" HP

2.9" ROUND PINHOLE ADJUSTABLE TRIMLESS LED

APPLICATION:

Commercial and retail accent and display lighting

HOUSING CONSTRUCTION:

20 ga. steel painted matte black
Formed aperture plate with 5/8" lip (GB-standard)
Cast aluminum plaster frame with perforated face
Integral adjustable locking mounting bars
Thermally protected

PINHOLE TRIM CONSTRUCTION:

Die-cast aluminum faceplate painted matte white
Die-cast knife edge baffle painted matte black
Spring steel mounting clips

ELECTRICAL:

Electronic constant current LED driver, 120v or 277v input (voltage specific TP on 18w & 20w)
ELV and Triac dimming standard, 120v or 277v.
0-10v, Lutron & DALI systems available. See following pages for more information.

This product complies with IEEE C62.41 for surge endurance up to 2.5KV. Amerlux® recommends using additional surge protection with this unit (supplied by others), surge damage is not covered by warranty.

OPTICS:

Cam adjustment mechanism provides lockable 0-35° tilt; 360°+ rotation
Available in a variety of beam spreads
LED:

Color Temp Options: 2200K, 2700K, 3000K, 3500K, 4000K
CRI: 83 typ. (2700K, 3000K, 3500K, 4000K)
90+ typ. (2200K, 2700K, 3000K)
Amerlux Crisp White technology available (18w max)
R9 Value: 11 (83CRI), 55 (90+CRI)
Binning: 3 MacAdam (SDCM)
Life: 50,000 hrs
Lumen Maintenance: >70% of initial lumens @ 50,000 hrs
Lumen Output (20w, 3000K): up to 745 lm; 37.8 lm/w
CBCP (20w, 3000K): up to 4131 max.

MOUNTING:

For use in sheet rock ceilings, ceiling thickness 5/8"
Other Ceilings: Consult factory for other ceiling thicknesses or for use in millwork ceilings

LABELING:



Damp location
IC/AT rated (11w only)

E2.9RPA-HP-A15-TL
LED

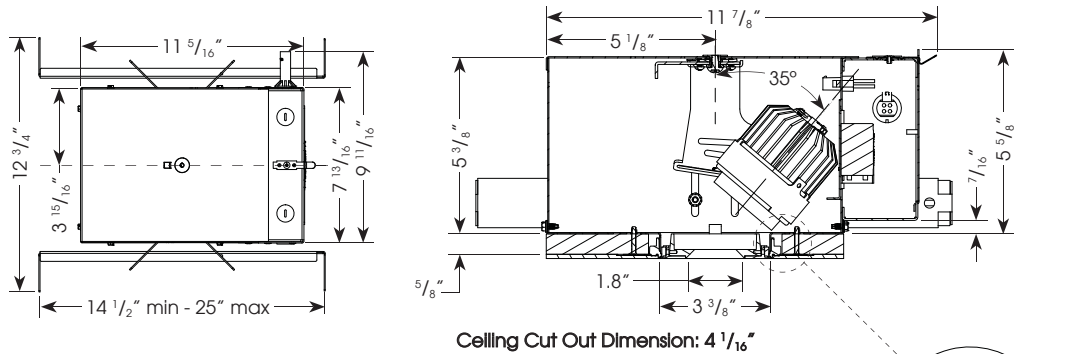


PROJECT:

TYPE:



Electrostatic sensitive device,
observe precautions for
handling



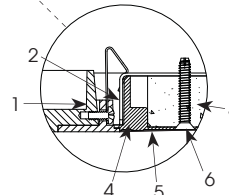
ELECTRICAL

Electronic driver

	11w		18w*		20w*	
	System Watts	Amps	System Watts	Amps	System Watts	Amps
120v	11	0.09	18	0.15	20	0.17
277v	11	0.04	18	0.06	20	0.07

* 2w thermal protector included on 18w & 20w

1. Reflector Trim
2. Fixture Housing Aperture Plate
3. Ceiling 5/8" (1" max)
4. Cast Aluminum Plaster Frame
5. Plaster Skim Coat (by others)
6. 6-32 Type F Thread Cutting Screw



5 year limited
warranty
AMERLUX LED

(see website for details)

ORDERING INFORMATION:

Housing Model	Wattage	Lamp Type	Voltage	Beam Spread	Color Temp (CCT(K)-CRI)	Options	Reflector Model	Aperture Finish
E2.9RA-HP-A15-TL	11 18 20	LED	120 277	SP - spot, 15° NF - narrow flood, 20° MFL - medium flood, 24° FL - flood, 28° WF - wide flood, 45°	27 - 2700-83 30 - 3000-83 35 - 3500-83 40 - 4000-83 229 - 2200-90+ 279 - 2700-90+ 309 - 3000-90+	HILUME - Lutron Hi-lume® A-series dimming (Ecosystem or 3 wire) 0-10V - 0-10v dimming DALI - DALI driver CP - Chicago Plenum (CCEA) IC/AT - insulated ceiling/air tight (11w only)	E2.9RPA-HP-A15-TL	Faceplate with black baffle MW - matte white
						CRISP - CrispWhite (18w max)		

Complete Unit Specification: E2.9RA-HP-A15-TL-20-LED-120-SP-30/E2.9RPA-HP-A15-TL-MW

Housing Only: E2.9RA-HP-A15-TL-20-LED-120-SP-30

Reflector Only: E2.9RPA-HP-A15-TL-MW

Cat #:

Amerlux® reserves the right to change details that do not affect overall function and performance.

Amerlux®, LLC • 178 Bauer Drive, Oakland, NJ 07436 • P: 973.882.5010 F: 973-882.2605 • www.amerlux.com



EVOKE® GENERATION 2 HP

2.9" ROUND PINHOLE ADJUSTABLE TRIMLESS LED

E2.9RPA-G2-HP-TL
LED



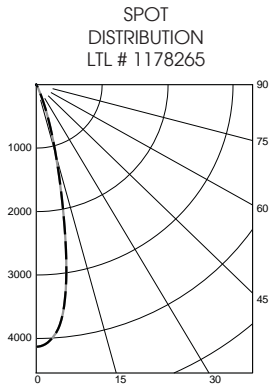
TYPE:



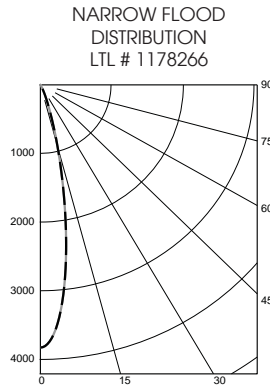
FIXTURE DATA: For 11w data, multiply by 0.55; For 18w data, multiply by 0.9

Complete photometric data (ies format) available upon request.

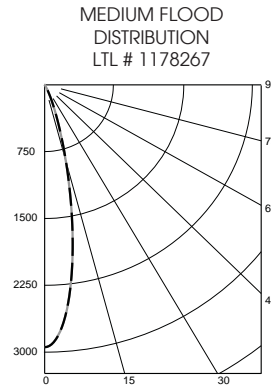
20W LED



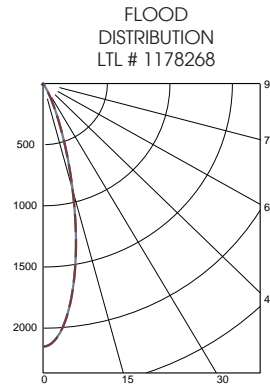
Candelas at Nadir	
Deg	Candela
0	4131
5	3867
15	1199
25	110
35	7
45	1



Candelas at Nadir	
Deg	Candela
0	3828
5	3291
15	921
25	108
35	9
45	1



Candelas at Nadir	
Deg	Candela
0	2945
5	2608
15	932
25	141
35	11
45	1

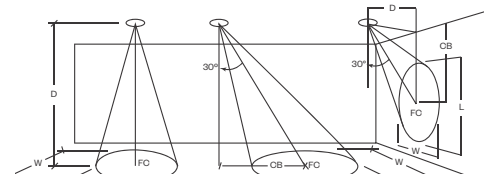


Candelas at Nadir	
Deg	Candela
0	2151
5	1964
15	919
25	196
35	17
45	2

APPLICATION DATA:

Notes and Definitions:

Beam spread is to 50% center beam candlepower (CBCP).
 D=Distance to floor or wall.
 FC=Footcandles on floor or wall at center beam aiming location.
 L=Effective Visual Beam length in feet (50% of maximum footcandle level).
 W=Effective Visual Beam width in feet (50% of maximum footcandle level).
 CB=Distance across or down to center beam location.



	0° Aiming Angle Horizontal Footcandles			
	D	FC	L	W
SPOT	5.0'	135	2.3	2.3
	7.5'	68	3.2	3.2
	10.0'	39	4.1	4.1
	12.5'	26	5.1	5.1
NARROW FLOOD	5.0'	113	2.1	2.1
	7.5'	59	3.0	3.0
	10.0'	35	3.7	3.7
	12.5'	23	4.7	4.7
MEDIUM FLOOD	5.0'	91	2.4	2.4
	7.5'	46	3.2	3.2
	10.0'	27	4.1	4.1
	12.5'	18	5.1	5.1
FLOOD	5.0'	70	2.6	2.6
	7.5'	35	3.6	3.6
	10.0'	20	4.8	4.8
	12.5'	13	5.9	5.9

EVOKE® GENERATION 2 HP

2.9" ROUND PINHOLE ADJUSTABLE TRIMLESS LED

E2.9RPA-G2-HP-TL
LED



TYPE:



DIMMING COMPATIBILITY:

Amerlux® fixtures are compatible with all major dimming protocols prevalent in the United States. Please see below for general compatibilities and wiring diagrams. Amerlux® recommends testing your unique dimming configuration as the exact full configuration (Dimmer, Fixture Quantity, Voltage, etc) may affect dimming performance.

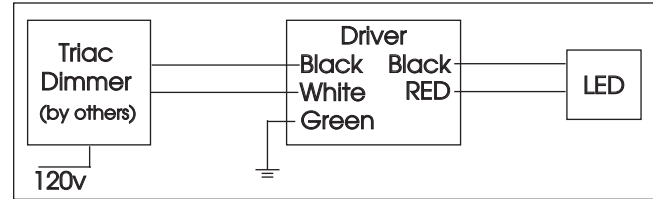
TRIAC (Forward Phase) DIMMING (standard)

Utilizes "Standard" incandescent dimmers that are in wide use in installations across the US. Best for retrofit applications where Triac dimmers are installed.

Notes:

- 120v or 277v
- Dims down to less than 5% light output (most cases)
- Consult Dimming manufacturer for installation instructions - DO NOT SHARE NEUTRALS!
- Must meet dimmer Minimum Load Requirements per dimming manufacturer

Wiring Diagram



Compatible Dimmers

Wall Box (Incandescent Style, Wattage as required)

Lutron "Diva"
Lutron "Nova-T"
Lutron "Maestro"

Lutron "Vareo"
Lutron "Skylark"

Central System

ETC "SR" Rack w/D20 Module
Lutron "GP" Panel

ETC "DRD" Rack w/D20 Module
Lutron Grafix Eye QS

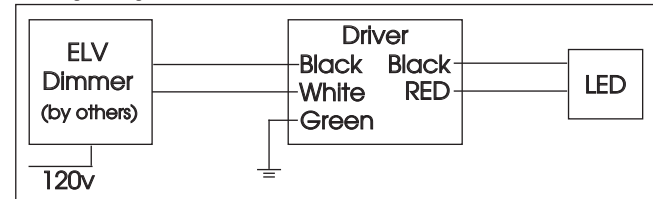
ELV - Electronic Low Voltage (Reverse Phase) DIMMING (standard)

Utilizes specialized "ELV" dimmers. Best for New Construction applications

Notes:

- 120v or 277v
- Dims down to less than 5% light output (most cases)
- Consult Dimming manufacturer for installation instructions - DO NOT SHARE NEUTRALS!
- Must meet dimmer Minimum Load Requirements

Wiring Diagram



Compatible Dimmers

Wall Box (ELV Style)

Lutron "Diva"
Lutron "Nova-T"
Lutron "Maestro"
Leviton "Surslide"

Lutron "Vareo"
Lutron "Skylark"
Leviton "Vizio"

Central System

ETC "SR" Rack w/ELV10 Module
Lutron "GP" Panel with PPHM-PA Interface

ETC "DRD" Rack w/ELV10 Module
Lutron Grafix Eye QS with PPHM-PA Interface

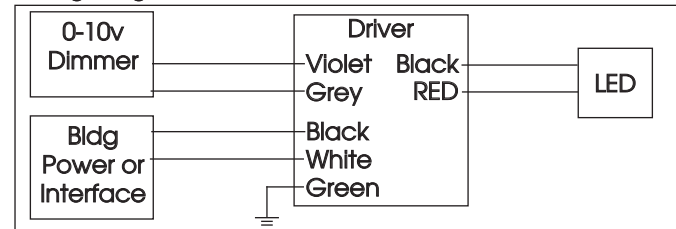
0-10V - DIMMING (-0-10V Option)

Integrates into a variety of building management and daylighting controls

Notes:

- 120v - 277v
- Dims down to 1% light output
- Requires interface to turn off power to driver
- Consult Dimming manufacturer for installation instructions - DO NOT SHARE NEUTRALS!

Wiring Diagram



Compatible Dimmers

Wall Box

Lutron "Diva" - DVTV with PP-120H Interface

Leviton Renoir II 0-10v

Central System

Lutron Grafix Eye with GRX-TVI Interface

EVOKE® GENERATION 2 HP

2.9" ROUND PINHOLE ADJUSTABLE TRIMLESS LED

E2.9RPA-G2-HP-TL
LED



TYPE:



LUTRON HI-LUME / ECO-SYSTEM (-HILUME Option)

Integrates into a variety of building management and daylighting controls

Notes:

- 120v or 277v
- Dims down to 1% light output
- May use 3-Wire or Ecosystem Control
- Consult Dimming manufacturer for installation instructions - DO NOT SHARE NEUTRALS!

Compatible Dimmers

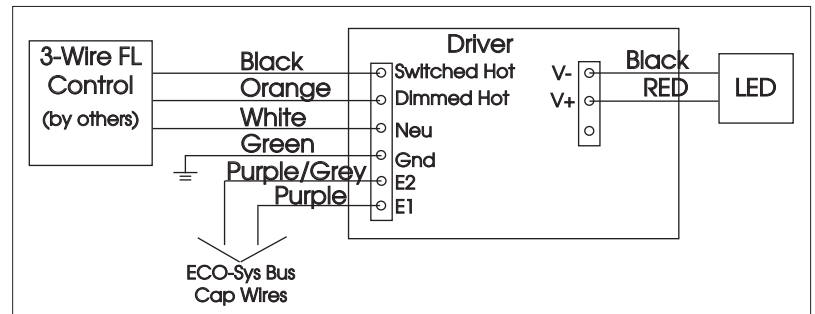
Wall Box (3-Wire Fluorescent)

DIVA
Maestro
Nova T
Vareo

Central System

Lutron ECO-System compatible controls
ETC "SR" Rack w/D20F Module
ETC "DRD" Rack w/D20F Module

3-Wire Wiring Diagram



ECO System Digital Control Wiring

