

EVOKE® 2.9" HP

2.9" ROUND LENS WALL WASH TRIMLESS LED

E2.9RLW-HP-A15-TL
LED



APPLICATION:

Commercial and retail wall wash lighting

HOUSING CONSTRUCTION:

20 ga. steel painted matte black
Formed aperture plate with 5/8" lip
Cast aluminum plaster frame with perforated face
Integral adjustable locking mounting bars
Thermally protected

REFLECTOR TRIM CONSTRUCTION:

Spun aluminum self-flanged reflector with bias cut
Available in a variety of finishes
Engineered diffusing lens
Steel mounting ring with torsion spring
Linear spread lens etched on the interior side

ELECTRICAL:

Electronic constant current LED driver, 120v or 277v input (voltage specific TP on 18w & 20w)
ELV and Triac dimming standard, 120v or 277v.
0-10v, Lutron & DALI systems available. See following pages for more information.

This product complies with IEEE C62.41 for surge endurance up to 2.5KV. Amerlux® recommends using additional surge protection with this unit (supplied by others), surge damage is not covered by warranty.


OPTICS:

LED:
Color Temp Options: 2200K, 2700K, 3000K, 3500K, 4000K
CRI: 83 typ. (2700K, 3000K, 3500K, 4000K)
90+ typ. (2200K, 2700K, 3000K)
Amerlux Crisp White technology available (18w max)
R9 Value: 11 (83CRI), 55 (90+CRI)
Binning: 3 MacAdam (SDCM)
Life: 50,000 hrs
Lumen Maintenance: >70% of initial lumens @ 50,000 hrs
Lumen Output (20w, 3000K): 1033 lm

MOUNTING:

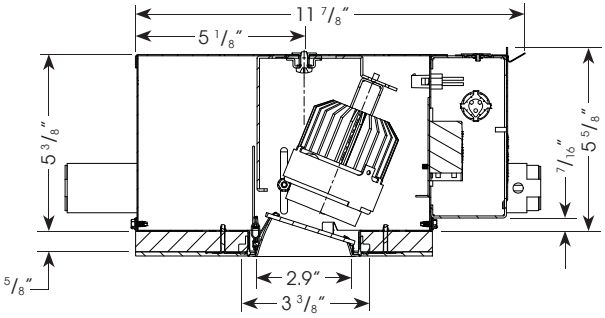
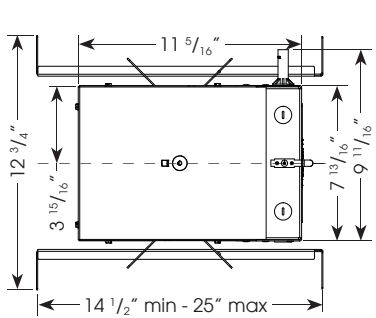
For use in sheet rock ceilings, ceiling thickness 5/8"
Other Ceilings: Consult factory for other ceiling thicknesses or for use in millwork ceilings

LABELING:

 UL
Damp location
IC/AT rated (11w only)

PROJECT:

TYPE:



Ceiling Cut Out Dimension: 4 1/16"

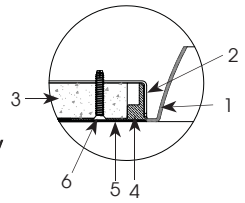
ELECTRICAL

Electronic driver

	11w		18w*		20w*	
	System Watts	Amps	System Watts	Amps	System Watts	Amps
120v	11	0.09	18	0.15	20	0.17
277v	11	0.04	18	0.06	20	0.07

* 2w thermal protector included on 18w & 20w

1. Reflector Trim
2. Fixture Housing Aperture Plate
3. Ceiling 5/8" (1" max)
4. Cast Aluminum Plaster Frame
5. Plaster Skim Coat (by others)
6. 6-32 Type F Thread Cutting Screw



5 year limited warranty
AMERLUX LED
(see website for details)

ORDERING INFORMATION:

Housing Model	Wattage	Lamp Type	Voltage	Color Temp (CCT(K)-CRI)	Options	Reflector Model	Aperture Finish
E2.9RLW-HP-A15-TL	11 18 20	LED	120 277	27 - 2700-83 30 - 3000-83 35 - 3500-83 40 - 4000-83 229 - 2200-90+ 279 - 2700-90+ 309 - 3000-90+ CRISP - CrispWhite (18w max)	HILUME - Lutron Hi-lume® A-series dimming (Ecosystem or 3 wire) 0-10V - 0-10v dimming DALI - DALI driver CP - Chicago Plenum (CCEA) IC/AT - insulated ceiling/air tight (11w only)	E2.9RLW-HP-A15-TL	SDC - semi-diffuse clear CLC - specular clear

Complete Unit Specification: E2.9RLW-HP-A15-TL-20-LED-120-30/E2.9RLW-HP-A15-TL-SDC
Housing Only: E2.9RLW-HP-A15-TL-20-LED-120-30
Reflector Only: E2.9RLW-HP-A15-TL-SDC

Cat #:

Amerlux® reserves the right to change details that do not affect overall function and performance.



EVOKE® 2.9" HP

2.9" ROUND LENS WALL WASH TRIMLESS LED

E2.9RLW-HP-A15-TL
LED



TYPE:



FIXTURE DATA: For 11w data, multiply by 0.55; For 18w data, multiply by 0.9

Complete photometric data (ies format) available upon request.

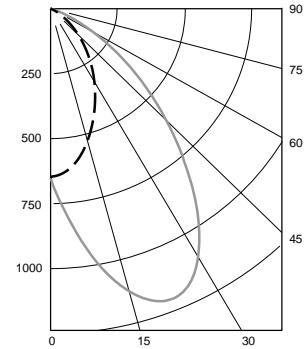
Evoked 2.9" Round Lens Wall Washer HP A15 20w LED
Source: One white LED with patterned plastic optic Lumens: 1033
Recessed

ZONAL LUMEN SUMMARY

Zone	Lumens	%Fixt
0-40	718	69.5
0-60	997	96.6
0-90	1033	100.0
90-180	0	0.0

Total Lumen Output: 1033
Luminaire Efficacy: 52.8 lumens/watt

LTL# 1178264



APPLICATION DATA:

Footcandles on Wall

Footcandles are average and rounded off.
Data for multiple units are based on a minimum of five units.

1.5 Feet From Wall

	← 1.5' →		← 1.5' →		← 1.5' →		← 1.5' →	
Distance from ceiling	0.5'	1.5'	2.5'	3.5'	4.5'	5.5'	6.5'	7.5'
	14	118	91	53	33	22	15	11
	11	121	103	65	39	26	18	13
	12	124	109	69	44	28	20	14
	16	134	115	73	45	29	20	15
	12	124	109	70	44	28	20	14
	11	121	104	65	40	26	18	13
	15	118	92	54	33	22	15	11

1.5 Feet From Wall

	← 2' →		← 2' →		← 2' →		← 2' →	
Distance from ceiling	0.5'	1.5'	2.5'	3.5'	4.5'	5.5'	6.5'	7.5'
	14	107	79	46	27	18	13	10
	7	79	77	50	32	21	15	11
	15	114	90	55	34	23	16	12
	7	80	80	54	35	24	17	13
	15	114	90	57	36	24	17	13
	7	80	90	54	35	24	17	13
	15	114	79	50	34	23	16	12
	14	107	79	50	32	21	15	11

2 Feet From Wall

	← 2' →		← 2' →		← 2' →		← 2' →	
Distance from ceiling	0.5'	1.5'	2.5'	3.5'	4.5'	5.5'	6.5'	7.5'
	4	55	64	49	33	23	17	13
	4	49	68	61	39	27	19	15
	4	50	76	60	42	30	21	16
	5	61	72	59	43	31	22	17
	4	50	77	62	44	31	23	17
	4	61	72	59	43	31	22	17
	4	49	68	60	42	30	21	16
	4	55	64	49	33	23	17	13

EVOKE® 2.9" HP

2.9" ROUND LENS WALL WASH TRIMLESS LED

E2.9RLW-HP-A15-TL
LED



TYPE:



DIMMING COMPATIBILITY:

Amerlux® fixtures are compatible with all major dimming protocols prevalent in the United States. Please see below for general compatibilities and wiring diagrams. Amerlux® recommends testing your unique dimming configuration as the exact full configuration (Dimmer, Fixture Quantity, Voltage, etc) may affect dimming performance.

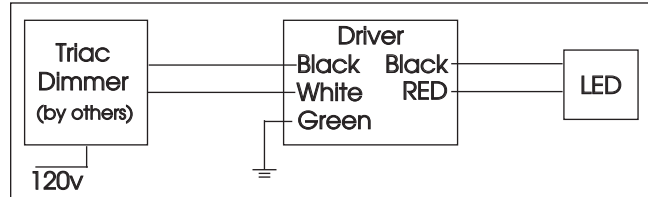
TRIAC (Forward Phase) DIMMING (standard)

Utilizes "Standard" incandescent dimmers that are in wide use in installations across the US. Best for retrofit applications where Triac dimmers are installed.

Notes:

- 120v or 277v
- Dims down to less than 5% light output (most cases)
- Consult Dimming manufacturer for installation instructions - DO NOT SHARE NEUTRALS!
- Must meet dimmer Minimum Load Requirements per dimming manufacturer

Wiring Diagram



Compatible Dimmers

Wall Box (Incandescent Style, Wattage as required)

Lutron "Diva"
Lutron "Nova-T"
Lutron "Maestro"

Lutron "Vareo"
Lutron "Skylark"

Central System

ETC "SR" Rack w/D20 Module
Lutron "GP" Panel

ETC "DRD" Rack w/D20 Module
Lutron Grafix Eye QS

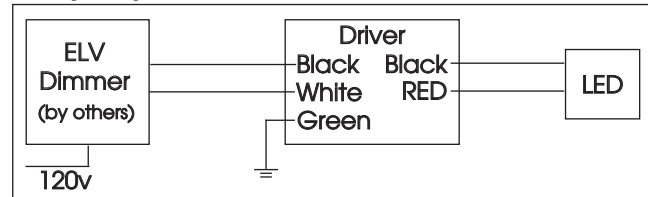
ELV - Electronic Low Voltage (Reverse Phase) DIMMING (standard)

Utilizes specialized "ELV" dimmers. Best for New Construction applications

Notes:

- 120v or 277v
- Dims down to less than 5% light output (most cases)
- Consult Dimming manufacturer for installation instructions - DO NOT SHARE NEUTRALS!
- Must meet dimmer Minimum Load Requirements

Wiring Diagram



Compatible Dimmers

Wall Box (ELV Style)

Lutron "Diva"
Lutron "Nova-T"
Lutron "Maestro"
Leviton "Surslide"

Lutron "Vareo"
Lutron "Skylark"
Leviton "Vizio"

Central System

ETC "SR" Rack w/ELV10 Module
Lutron "GP" Panel with PPHM-PA Interface

ETC "DRD" Rack w/ELV10 Module
Lutron Grafix Eye QS with PPHM-PA Interface

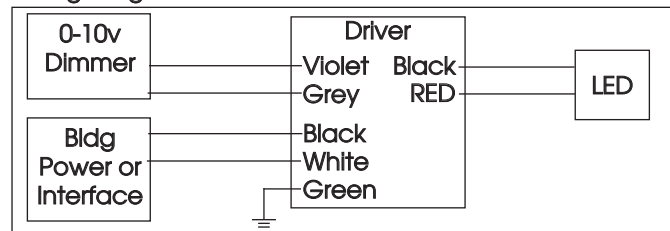
0-10V - DIMMING (-0-10V Option)

Integrates into a variety of building management and daylighting controls

Notes:

- 120v - 277v
- Dims down to 1% light output
- Requires interface to turn off power to driver
- Consult Dimming manufacturer for installation instructions - DO NOT SHARE NEUTRALS!

Wiring Diagram



Compatible Dimmers

Wall Box

Lutron "Diva" - DVTV with PP-120H Interface

Leviton Renoir II 0-10v

Central System

Lutron Grafix Eye with GRX-TVI Interface

EVOKE® 2.9" HP

2.9" ROUND LENS WALL WASH TRIMLESS LED

E2.9RLW-HP-A15-TL
LED



TYPE:



LUTRON HI-LUME / ECO-SYSTEM (-HILUME Option)

Integrates into a variety of building management and daylighting controls

Notes:

- 120v or 277v
- Dims down to 1% light output
- May use 3-Wire or Ecosystem Control
- Consult Dimming manufacturer for installation instructions - DO NOT SHARE NEUTRALS!

Compatible Dimmers

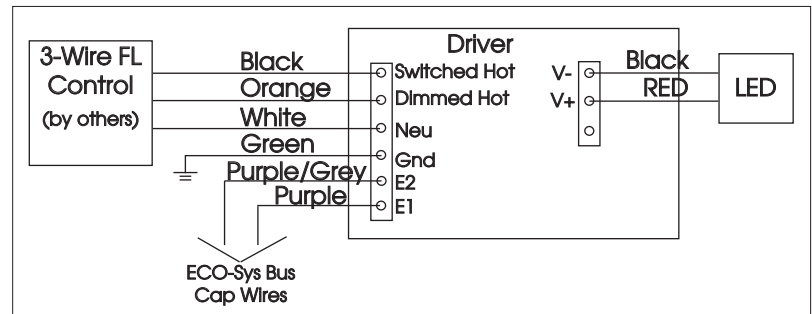
Wall Box (3-Wire Fluorescent)

DIVA
Maestro
Nova T
Vareo

Central System

Lutron ECO-System compatible controls
ETC "SR" Rack w/D20F Module
ETC "DRD" Rack w/D20F Module

3-Wire Wiring Diagram



ECO System Digital Control Wiring

