

EVOKE® 2.9" HP

2.9" SQUARE DOWNLIGHT TRIMLESS LED

APPLICATION:

Commercial and retail ambient and task lighting

HOUSING CONSTRUCTION:

20 ga. steel painted matte black
Formed aperture plate with 5/8" lip (GB-standard)
Cast aluminum plaster frame with perforated face
Integral adjustable locking mounting bars
Thermally protected

REFLECTOR TRIM CONSTRUCTION:

Die-cast aluminum seamless self-flanged trim
Painted finishes include matte white and optical matte black
Spring steel mounting clips

ELECTRICAL:

Electronic constant current LED driver, 120v or 277v input (voltage specific TP on 18w & 20w)
ELV and Triac dimming standard, 120v or 277v.
0-10v, Lutron & DALI systems available. See following pages for more information.

This product complies with IEEE C62.41 for surge endurance up to 2.5KV. Amerlux® recommends using additional surge protection with this unit (supplied by others), surge damage is not covered by warranty.

OPTICS:

Available in a variety of beam spreads
LED:

Color Temp Options: 2200K, 2700K, 3000K, 3500K, 4000K
CRI: 83 typ. (2700K, 3000K, 3500K, 4000K)
90+ typ. (2200K, 2700K, 3000K)

Amerlux Crisp White technology available (18w max)

R9 Value: 11 (83CRI), 55 (90+CRI)

Binning: 3 MacAdam (SDCM)

Life: 50,000 hrs

Lumen Maintenance: >70% of initial lumens @ 50,000 hrs

Lumen Output (20w, 3000K): up to 1100 lm; 54.4 lm/w

CBCP (20w, 3000K): up to 9767 max.

MOUNTING:

For use in sheet rock ceilings, ceiling thickness 5/8"
Other Ceilings: Consult factory for other ceiling thicknesses or for use in millwork ceilings

LABELING:



Damp location
IC/AT rated (11w only)

E2.9SD-HP-A15-TL
LED

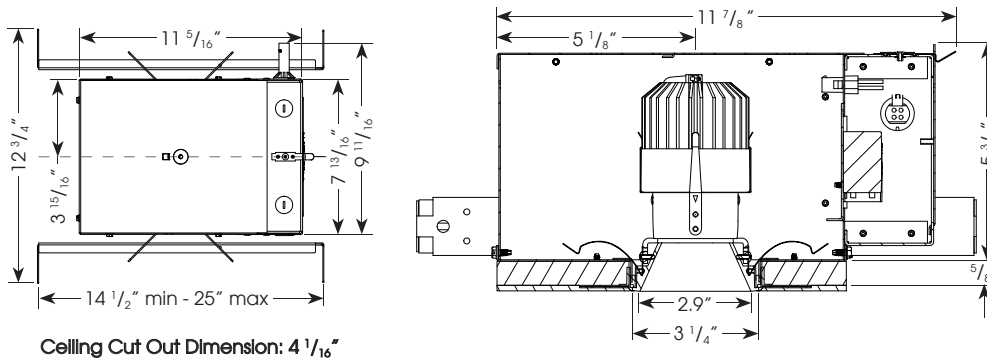


PROJECT:

TYPE:



Electrostatic sensitive device,
observe precautions for
handling



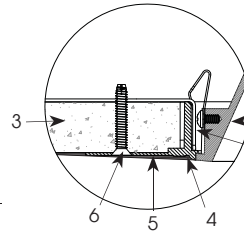
Ceiling Cut Out Dimension: 4 1/16"

ELECTRICAL

Electronic driver

| | 11w | | 18w* | | 20w* | |
|------|--------------|------|--------------|------|--------------|------|
| | System Watts | Amps | System Watts | Amps | System Watts | Amps |
| 120v | 11 | 0.09 | 18 | 0.15 | 20 | 0.17 |
| 277v | 11 | 0.04 | 18 | 0.06 | 20 | 0.07 |

* 2w thermal protector included on 18w & 20w



1. Reflector Trim
2. Fixture Housing Aperture Plate
3. Ceiling 5/8" (1" max)
4. Cast Aluminum Plaster Frame
5. Plaster Skim Coat (by others)
6. 6-32 Type F Thread Cutting Screw

ORDERING INFORMATION:

| Housing Model | Wattage | Lamp Type | Voltage | Options | Reflector Model | Aperture Finish | Beam Spread | Color Temp (CCT(K)-CRI) |
|------------------|----------------|-----------|------------|---|------------------|--|---|---|
| E2.9SD-HP-A15-TL | 11 18 20 | LED | 120 277 | HILUME - Lutron Hi-lume® A-series dimming (Ecosystem or 3 wire) 0-10V - 0-10v dimming DALI - DALI driver CP - Chicago Plenum (CCEA) IC/AT - insulated ceiling/air tight (11w only) | E2.9SD-HP-A15-TL | MB - matte black MW - matte white SLV - matte silver | SP - spot, 15° NF - narrow flood, 20° MFL - medium flood, 24° FL - flood, 28° WF - wide flood, 45° VWF - very wide flood, 60° LS - linear spread, 60° x 10° | 27 - 2700-83 30 - 3000-83 35 - 3500-83 40 - 4000-83 229 - 2200-90+ 279 - 2700-90+ 309 - 3000-90+ CRISP - CrispWhite (18w max) |

Complete Unit Specification: E2.9SD-HP-A15-TL-20-LED-120/E2.9SD-HP-A15-TL-MW-SP-30

Housing Only: E2.9SD-HP-A15-TL-20-LED-120

Reflector Only: E2.9SD-HP-A15-TL-MW-SP-30

Cat #:

Amerlux® reserves the right to change details that do not affect overall function and performance.

EVOKE® 2.9" HP

2.9" SQUARE DOWNLIGHT TRIMLESS LED

E2.9SD-HP-A15-TL
LED



TYPE:

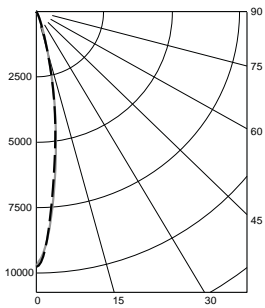


FIXTURE DATA: For 11w data, multiply by 0.55; For 18w data, multiply by 0.9

Complete photometric data (ies format) available upon request.

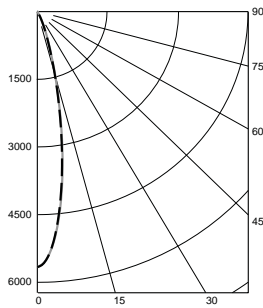
20W LED

SPOT DISTRIBUTION
LTL # 1178277



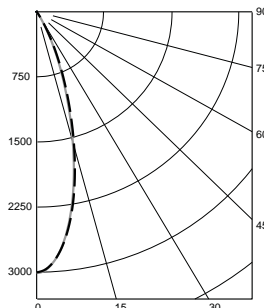
| Candelas at Nadir | |
|-------------------|---------|
| Deg | Candela |
| 0 | 9764 |
| 5 | 7059 |
| 15 | 1462 |
| 25 | 189 |
| 35 | 9 |
| 45 | 2 |

NARROW FLOOD DISTRIBUTION
LTL # 1178278



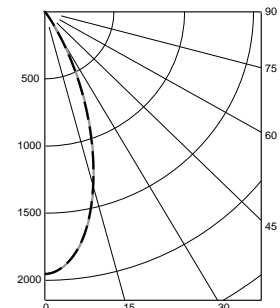
| Candelas at Nadir | |
|-------------------|---------|
| Deg | Candela |
| 0 | 5663 |
| 5 | 4861 |
| 15 | 1589 |
| 25 | 274 |
| 35 | 17 |
| 45 | 3 |

FLOOD DISTRIBUTION
LTL # 1178280



| Candelas at Nadir | |
|-------------------|---------|
| Deg | Candela |
| 0 | 3004 |
| 5 | 2802 |
| 15 | 1568 |
| 25 | 457 |
| 35 | 31 |
| 45 | 5 |

WIDE FLOOD DISTRIBUTION
LTL # 1178281

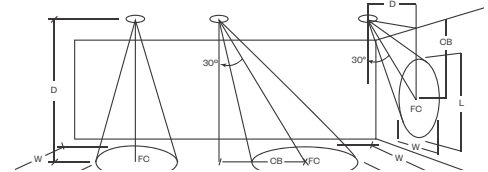


| Candelas at Nadir | |
|-------------------|---------|
| Deg | Candela |
| 0 | 1953 |
| 5 | 1877 |
| 15 | 1341 |
| 25 | 592 |
| 35 | 75 |
| 45 | 8 |

APPLICATION DATA:

Notes and Definitions:

Beam spread is to 50% center beam candlepower (CBCP).
 D=Distance to floor or wall.
 FC=Footcandles on floor or wall at center beam aiming location.
 L=Effective Visual Beam length in feet (50% of maximum footcandle level).
 W=Effective Visual Beam width in feet (50% of maximum footcandle level).
 CB=Distance across or down to center beam location.



0° Aiming Angle
Horizontal
Footcandles

| | D | FC | L | W |
|--------------|-------|-----|-----|-----|
| SPOT | 5.0' | 237 | 1.9 | 1.9 |
| | 7.5' | 130 | 2.6 | 2.6 |
| | 10.0' | 81 | 3.3 | 3.2 |
| | 12.5' | 54 | 3.9 | 3.8 |
| NARROW FLOOD | 5.0' | 168 | 2.3 | 2.3 |
| | 7.5' | 87 | 3.1 | 3.1 |
| | 10.0' | 52 | 3.9 | 3.9 |
| | 12.5' | 34 | 4.9 | 4.8 |
| FLOOD | 5.0' | 102 | 2.9 | 2.9 |
| | 7.5' | 49 | 4.0 | 4.1 |
| | 10.0' | 29 | 5.3 | 5.5 |
| | 12.5' | 19 | 6.6 | 6.8 |
| WIDE FLOOD | 5.0' | 70 | 3.4 | 3.4 |
| | 7.5' | 33 | 5.0 | 4.9 |
| | 10.0' | 19 | 6.6 | 6.6 |
| | 12.5' | 12 | 8.1 | 8.2 |

EVOKE® 2.9" HP

2.9" SQUARE DOWNLIGHT TRIMLESS LED

E2.9SD-HP-A15-TL
LED



TYPE:



DIMMING COMPATIBILITY:

Amerlux® fixtures are compatible with all major dimming protocols prevalent in the United States. Please see below for general compatibilities and wiring diagrams. Amerlux® recommends testing your unique dimming configuration as the exact full configuration (Dimmer, Fixture Quantity, Voltage, etc) may affect dimming performance.

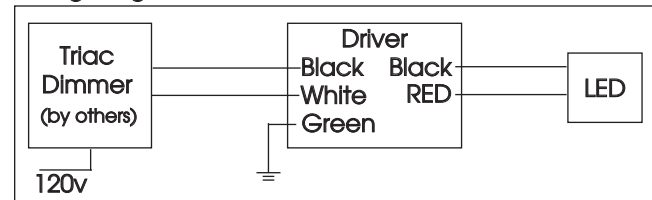
TRIAC (Forward Phase) DIMMING (standard)

Utilizes "Standard" incandescent dimmers that are in wide use in installations across the US. Best for retrofit applications where Triac dimmers are installed.

Notes:

- 120v or 277v
- Dims down to less than 5% light output (most cases)
- Consult Dimming manufacturer for installation instructions - DO NOT SHARE NEUTRALS!
- Must meet dimmer Minimum Load Requirements per dimming manufacturer

Wiring Diagram



Compatible Dimmers

Wall Box (Incandescent Style, Wattage as required)

| | |
|------------------|------------------|
| Lutron "Diva" | Lutron "Vareo" |
| Lutron "Nova-T" | Lutron "Skylark" |
| Lutron "Maestro" | |

Central System

| | |
|----------------------------|-----------------------------|
| ETC "SR" Rack w/D20 Module | ETC "DRD" Rack w/D20 Module |
| Lutron "GP" Panel | Lutron Grafix Eye QS |

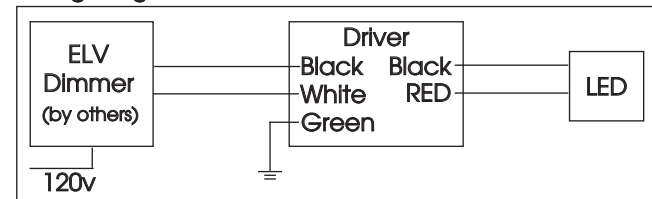
ELV - Electronic Low Voltage (Reverse Phase) DIMMING (standard)

Utilizes specialized "ELV" dimmers. Best for New Construction applications

Notes:

- 120v or 277v
- Dims down to less than 5% light output (most cases)
- Consult Dimming manufacturer for installation instructions - DO NOT SHARE NEUTRALS!
- Must meet dimmer Minimum Load Requirements

Wiring Diagram



Compatible Dimmers

Wall Box (ELV Style)

| | |
|--------------------|------------------|
| Lutron "Diva" | Lutron "Vareo" |
| Lutron "Nova-T" | Lutron "Skylark" |
| Lutron "Maestro" | |
| Leviton "Surslide" | Leviton "Vizio" |

Central System

| | |
|--|---|
| ETC "SR" Rack w/ELV10 Module | ETC "DRD" Rack w/ELV10 Module |
| Lutron "GP" Panel with PPHM-PA Interface | Lutron Grafix Eye QS with PPHM-PA Interface |

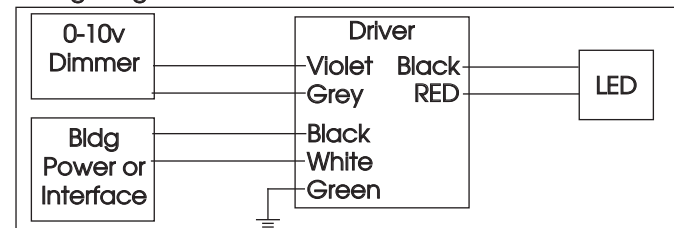
0-10V - DIMMING (-0-10V Option)

Integrates into a variety of building management and daylighting controls

Notes:

- 120v - 277v
- Dims down to 1% light output
- Requires interface to turn off power to driver
- Consult Dimming manufacturer for installation instructions - DO NOT SHARE NEUTRALS!

Wiring Diagram



Compatible Dimmers

Wall Box

| | |
|---|-------------------------|
| Lutron "Diva" - DVTV with PP-120H Interface | Leviton Renoir II 0-10v |
|---|-------------------------|

Central System

| |
|--|
| Lutron Grafix Eye with GRX-TVI Interface |
|--|

EVOKE® 2.9" HP

2.9" SQUARE DOWNLIGHT TRIMLESS LED

E2.9SD-HP-A15-TL
LED



TYPE:



LUTRON HI-LUME / ECO-SYSTEM (-HILUME Option)

Integrates into a variety of building management and daylighting controls

Notes:

- 120v or 277v
- Dims down to 1% light output
- May use 3-Wire or Ecosystem Control
- Consult Dimming manufacturer for installation instructions - DO NOT SHARE NEUTRALS!

Compatible Dimmers

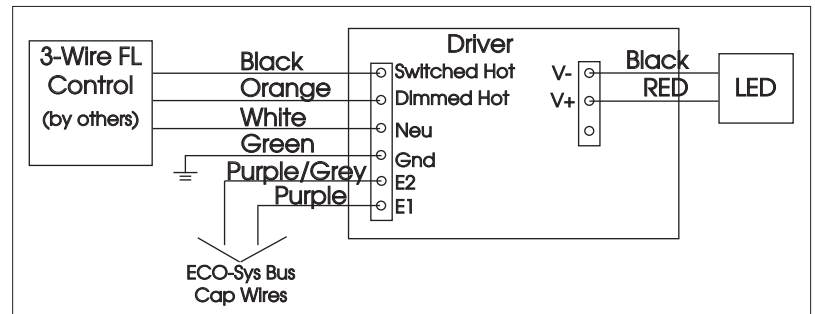
Wall Box (3-Wire Fluorescent)

DIVA
Maestro
Nova T
Vareo

Central System

Lutron ECO-System compatible controls
ETC "SR" Rack w/D20F Module
ETC "DRD" Rack w/D20F Module

3-Wire Wiring Diagram



ECO System Digital Control Wiring

