

# EVOKE® 2.9" HP

## 2.9" SQUARE ADJUSTABLE WET LOCATION LED

E2.9SASHW-HP-A15  
LED



### APPLICATION:

Commercial and retail ambient and task lighting

### HOUSING CONSTRUCTION:

20 ga. steel painted matte black  
Formed aperture plate with  $\frac{5}{8}$ " lip (GB-standard)  
Integral adjustable locking mounting bars  
Thermally protected

### REFLECTOR TRIM CONSTRUCTION:

Die-cast aluminum seamless self-flange reflector trim  
Painted finishes include matte white and optical matte black with matte white flange  
Spring steel mounting clips  
Clear glass lens  
Silicone flange gasket

### MOUNTING:

Specify ceiling mounting:  
GRID: 1" deep aperture collar  
GB (Gyp. Board):  $\frac{5}{8}$ " deep aperture collar  
Extra thick ceiling ring available for ceilings over 1" thick, consult factory  
Note: Tilt adjustment reduced to 30° in ceilings  $1\frac{1}{4}$ " thick

### OPTICS:

Cam adjustment mechanism provides lockable 0-40° tilt; 360°+ rotation  
Available in a variety of beam spreads  
LED:

Color Temp Options: 2200K, 2700K, 3000K, 3500K, 4000K  
CRI: 83 typ. (2700K, 3000K, 3500K, 4000K)  
90+ typ. (2200K, 2700K, 3000K)  
Amerlux Crisp White technology available (18w max)  
R9 Value: 11 (83CRI), 55 (90+CRI)  
Binning: 3 MacAdam (SDCM)  
Life: 50,000 hrs  
Lumen Maintenance: >70% of initial lumens @ 50,000 hrs

### ELECTRICAL:

Electronic constant current LED driver, 120v or 277v input (voltage specific TP on 18w & 20w)  
ELV and Triac dimming standard, 120v or 277v.  
0-10v, Lutron & DALI systems available. See following pages for more information.

**This product complies with IEEE C62.41 for surge endurance up to 2.5KV. Amerlux® recommends using additional surge protection with this unit (supplied by others), surge damage is not covered by warranty.**

### LABELING:



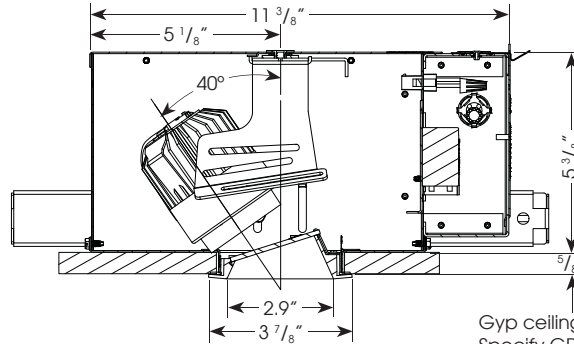
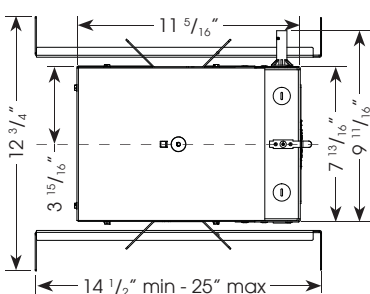
Wet location  
IC/AT rated (11w only)

PROJECT:

TYPE:



Electrostatic sensitive device,  
observe precautions for  
handling



Gyp ceiling shown.  
Specify GRID for 1"  
deep aperture collar.

Ceiling Cut Out Dimension:  $3\frac{7}{16}$ "

### ELECTRICAL

Electronic driver

|      | 11w          |      | 18w*         |      | 20w*         |      |
|------|--------------|------|--------------|------|--------------|------|
|      | System Watts | Amps | System Watts | Amps | System Watts | Amps |
| 120v | 11           | 0.09 | 18           | 0.15 | 20           | 0.17 |
| 277v | 11           | 0.04 | 18           | 0.06 | 20           | 0.07 |

\* 2w thermal protector included on 18w & 20w

5 year limited  
warranty  
AMERLUX LED

(see website for details)

### ORDERING INFORMATION:

| Housing Model | Wattage | Lamp Type | Voltage | Beam Spread                | Ceiling Mounting            | Color Temp (CCT(K)-CRI)                            | Options  | Reflector Model  | Aperture Finish   |
|---------------|---------|-----------|---------|----------------------------|-----------------------------|--|--|------------------|---|
| E2.9SA-HP-A15 | 11      | LED       | 120     | SP - spot, 15°             | GB - 5/8"                   | 27 - 2700-83                                       | HILUME - Lutron Hi-lume®<br>A-series dimming<br>(Ecosystem or 3 wire)<br>0-10V - 0-10v dimming<br>DALI - DALI driver<br>CP - Chicago Plenum<br>(CCEA)<br>IC/AT - insulated ceiling/air<br>tight (11w only) | E2.9SASHW-HP-A15 | Reflector with White<br>Painted Flange<br>MBW - matte black<br>MWW - matte white<br>SLVW - matte silver |
|               | 18      |           | 277     | NF - narrow<br>flood, 20°  | GRID - 1"                   | 30 - 3000-83                                       |  |                  |   |
| 20            |         |           |         | MFL - medium<br>flood, 24° | deep collar                 | 35 - 3500-83                                       |  |                  |   |
|               |         |           |         | FL - flood, 28°            | -                           | 40 - 4000-83                                       |  |                  |   |
|               |         |           |         | WF - wide flood,<br>45°    | (other, consult<br>factory) | 229 - 2200-90+<br>279 - 2700-90+<br>309 - 3000-90+ |  |                  |   |
|               |         |           |         |                            |                             | CRISP - CrispWhite<br>(18w max)                    |  |                  |   |

Complete Unit Specification: E2.9SA-HP-A15-18-LED-120-SP-GB-30/E2.9SASHW-HP-A15-MWW  
Housing Only: E2.9SA-HP-A15-18-LED-120-SP-GB-30  
Reflector Only: E2.9SASHW-HP-A15-MWW

Cat #:

Amerlux® reserves the right to change details that do not affect overall function and performance.

# EVOKE® 2.9" HP

2.9" SQUARE ADJUSTABLE WET LOCATION LED

E2.9SASHW-HP-A15  
LED



TYPE:



## DIMMING COMPATIBILITY:

Amerlux® fixtures are compatible with all major dimming protocols prevalent in the United States. Please see below for general compatibilities and wiring diagrams. Amerlux® recommends testing your unique dimming configuration as the exact full configuration (Dimmer, Fixture Quantity, Voltage, etc) may affect dimming performance.

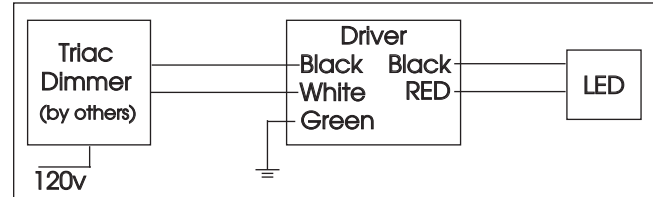
### TRIAC (Forward Phase) DIMMING (standard)

Utilizes "Standard" incandescent dimmers that are in wide use in installations across the US. Best for retrofit applications where Triac dimmers are installed.

#### Notes:

- 120v or 277v
- Dims down to less than 5% light output (most cases)
- Consult Dimming manufacturer for installation instructions - DO NOT SHARE NEUTRALS!
- Must meet dimmer Minimum Load Requirements per dimming manufacturer

#### Wiring Diagram



#### Compatible Dimmers

##### Wall Box (Incandescent Style, Wattage as required)

|                  |                  |
|------------------|------------------|
| Lutron "Diva"    | Lutron "Vareo"   |
| Lutron "Nova-T"  | Lutron "Skylark" |
| Lutron "Maestro" |                  |

##### Central System

|                            |                             |
|----------------------------|-----------------------------|
| ETC "SR" Rack w/D20 Module | ETC "DRD" Rack w/D20 Module |
| Lutron "GP" Panel          | Lutron Grafix Eye QS        |

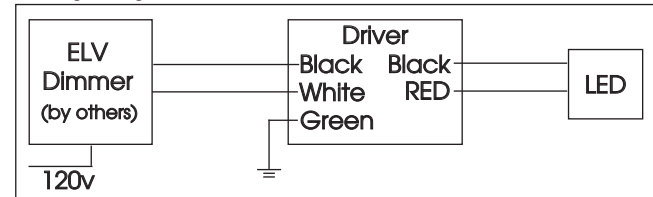
### ELV - Electronic Low Voltage (Reverse Phase) DIMMING (standard)

Utilizes specialized "ELV" dimmers. Best for New Construction applications

#### Notes:

- 120v or 277v
- Dims down to less than 5% light output (most cases)
- Consult Dimming manufacturer for installation instructions - DO NOT SHARE NEUTRALS!
- Must meet dimmer Minimum Load Requirements

#### Wiring Diagram



#### Compatible Dimmers

##### Wall Box (ELV Style)

|                    |                  |
|--------------------|------------------|
| Lutron "Diva"      | Lutron "Vareo"   |
| Lutron "Nova-T"    | Lutron "Skylark" |
| Lutron "Maestro"   |                  |
| Leviton "Surslide" | Leviton "Vizio"  |

##### Central System

|  |   |
|--|---|
| ETC "SR" Rack w/ELV10 Module             | ETC "DRD" Rack w/ELV10 Module               |
| Lutron "GP" Panel with PHPM-PA Interface | Lutron Grafix Eye QS with PHPM-PA Interface |

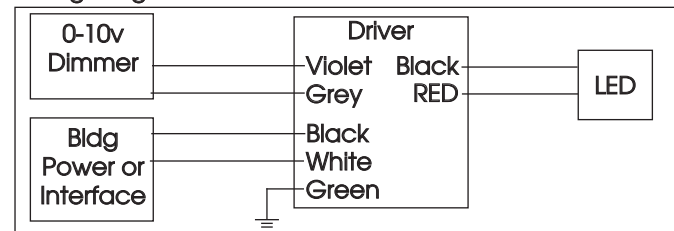
### 0-10V - DIMMING (-0-10V Option)

Integrates into a variety of building management and daylighting controls

#### Notes:

- 120v - 277v
- Dims down to 1% light output
- Requires interface to turn off power to driver
- Consult Dimming manufacturer for installation instructions - DO NOT SHARE NEUTRALS!

#### Wiring Diagram



#### Compatible Dimmers

##### Wall Box

|   |                         |
|---|-------------------------|
| Lutron "Diva" - DVTV with PP-120H Interface | Leviton Renoir II 0-10v |
|---|-------------------------|

##### Central System

|  |
|--|
| Lutron Grafix Eye with GRX-TVI Interface |
|--|

# EVOKE® 2.9" HP

2.9" SQUARE ADJUSTABLE WET LOCATION LED

E2.9SASHW-HP-A15  
LED



TYPE:



## LUTRON HI-LUME / ECO-SYSTEM (-HILUME Option)

Integrates into a variety of building management and daylighting controls

### Notes:

- 120v or 277v
- Dims down to 1% light output
- May use 3-Wire or Ecosystem Control
- Consult Dimming manufacturer for installation instructions - DO NOT SHARE NEUTRALS!

### Compatible Dimmers

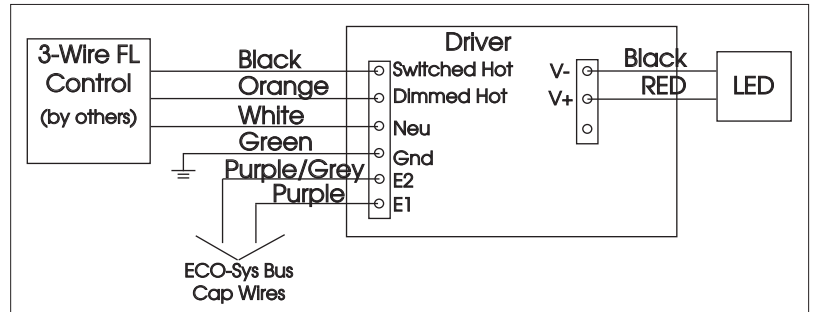
#### Wall Box (3-Wire Fluorescent)

DIVA  
Maestro  
Nova T  
Vareo

#### Central System

Lutron ECO-System compatible controls  
ETC "SR" Rack w/D20F Module  
ETC "DRD" Rack w/D20F Module

### 3-Wire Wiring Diagram



### ECO System Digital Control Wiring

