

LINEA® 2.5" INDIRECT

LINEAR INDIRECT LED

APPLICATIONS:

Commercial and retail indirect ambient lighting

CONSTRUCTION:

One piece extruded aluminum housing
Internal components are die-formed galvanized and cold-rolled steel
Individual housing lengths are 47 3/4" or 95 1/4"
Can be configured in continuous rows to custom lengths or in patterns. Please consult factory.
High reflectance white finish. For other finishes, consult factory

OPTICS:

Clear overlay lens

Watts	Lumens	Lumens/Watt
5w/ft	590/ft	127 lpw
10w/ft	1118/ft	117 lpw

Die-formed high reflectance white enamel reflector

ELECTRICAL:

Electronic, multi-volt (120v-277v) constant current driver
0-10v dimming, down to 1%, standard
This product complies with IEEE C62.41 for surge endurance up to 3KV. Amerlux® recommends using additional surge protection with this unit (supplied by others), surge damage is not covered by warranty.

Emergency circuit via remote inverter or auxiliary emergency power supply (by others)

MOUNTING:

Aircraft cable suspension or wall mount
Fixtures may be continuously row-mounted or configured in a pattern, consult factory

LABELING:



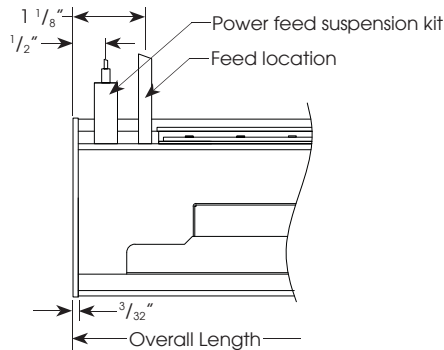
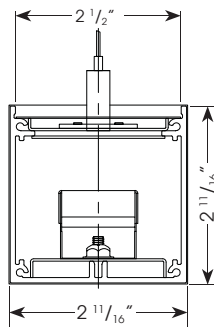
For indoor use only

LIN2.5-I
LED

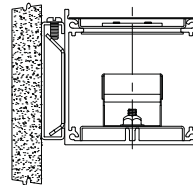


PROJECT:

TYPE:



Wall Mount option



ELECTRICAL

Electronic driver

Wattage per foot		4'		8'	
		System watts	Amps	System watts	Amps
5	120v	20	.17	40	.33
	277v				
10	120v	42	.35	84	.70
	277v				



Electrostatic sensitive device, observe precautions for handling



Enlighted Sensor (optional)

10 year limited warranty
AMERLUX LED
(see website for details)

ORDERING INFORMATION:

Model	Light Distr./ Shielding	Mounting	Wattage per Foot	Lamp Type	Color Temp	Finish	Voltage	Length	Configuration	Options
LIN2.5-I	UC - clear cover	ASW10 - aircraft cable with straight feed, (18ga., 5 conductor), white, 10' WM - wall mount	5 10 Consult factory for other wattage configurations	LED	2700 3000 3500 4000	HW - high reflectance white - (other RAL)	120 277	4 8 (run to nearest ft)	IND - individual BOR - beginning of run MOR - middle of run EOR - end of run Consult factory for patterns	HILUME-DH - Lutron Hi-lume® 3 wire, 1% dim (A series) HILUME-ECO - Lutron Hi-lume® EcoSystem, 1% dim (A series) ENLS - Enlighted Sensor

Example: LIN2.5-I-UC-ASW10-10-LED-3500-HW-120-4-IND

Cat #:

Amerlux reserves the right to change details that do not affect overall function and performance.

LINEA® 2.5" INDIRECT

LINEAR INDIRECT LED

LIN2.5-I
LED



TYPE:

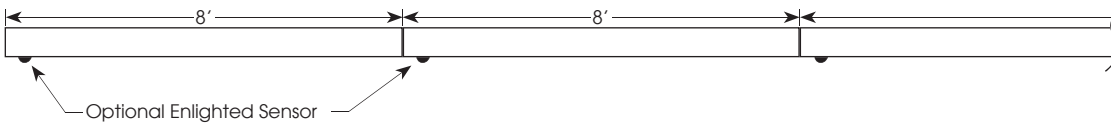


STANDARD PLACEMENT(S) FOR (OPTIONAL) ENLIGHTENED SENSOR:

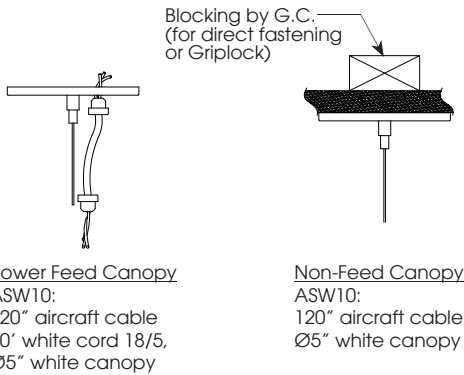
4 FT OR 8 FT INDIRECT



RUNS



SUSPENSION/CANOPY KITS (INCLUDED):



LINEA® 2.5" INDIRECT

LINEAR INDIRECT LED

LIN2.5-I
LED



TYPE:



FIXTURE DATA:

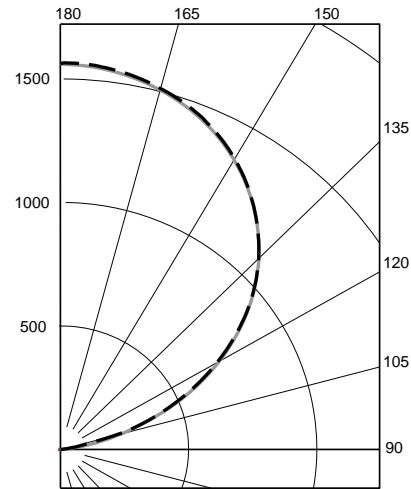
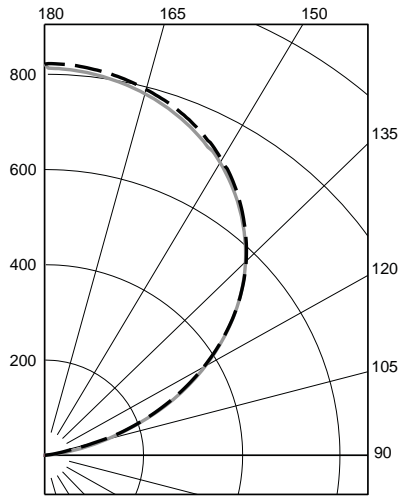
Complete photometric data (ies format) available upon request.

LINEA 2.5" INDIRECT, 5W/FT, 4' FIXTURE, 3000K
Lamp: 128 white LED's
Mounting: Pendant Indirect

LINEA 2.5" INDIRECT, 10W/FT, 4' FIXTURE, 3000K
Lamp: 128 white LED's
Mounting: Pendant Indirect

LENS INDIRECT
LTL# 1238332
LUMENS: 590/FT

LENS INDIRECT
LTL# 1238333
LUMENS: 1118/FT



ZONAL LUMEN SUMMARY

Zone	Lumens	%Fixt	Zone	Lumens	%Fixt
90-95	1.7	0.1	135-140	223.8	9.5
95-100	13.3	0.6	140-145	218.2	9.3
100-105	45.2	1.9	145-150	205.2	8.7
105-110	89.1	3.8	150-155	185.2	7.9
110-115	128.8	5.5	155-160	159.5	6.8
115-120	163.1	6.9	160-165	129.2	5.5
120-125	190.8	8.1	165-170	95.1	4.0
125-130	210.6	8.9	170-175	58.2	2.5
130-135	221.6	9.4	175-180	19.6	0.8

ZONAL LUMEN SUMMARY

Zone	Lumens	%Fixt	Zone	Lumens	%Fixt
90-95	3.1	0.1	135-140	424.2	9.5
95-100	24.3	0.5	140-145	413.5	9.2
100-105	84.5	1.9	145-150	389.0	8.7
105-110	168.8	3.8	150-155	351.9	7.9
110-115	244.0	5.5	155-160	303.5	6.8
115-120	309.8	6.9	160-165	245.8	5.5
120-125	362.5	8.1	165-170	180.9	4.0
125-130	399.7	8.9	170-175	110.7	2.5
130-135	420.1	9.4	175-180	37.3	0.8

Zone	Lumens	%Fixt
0-40	0	0.0
0-60	0	0.0
0-90	0	0.0
90-180	2358	100.0

Zone	Lumens	%Fixt
0-40	0	0.0
0-60	0	0.0
0-90	0	0.0
90-180	4474	100.0

Efficacy (lumens/watt) = 127 lpw

Efficacy (lumens/watt) = 117 lpw

COEFFICIENTS OF UTILIZATION

RC	RW			
	70	50	30	10
0	2246	2246	2246	2246
1	2042	1948	1863	1787
2	1857	1698	1566	1456
3	1692	1489	1332	1208
4	1543	1312	1142	1013
5	1410	1160	986	858
6	1293	1033	859	734
7	1189	925	754	634
8	1097	832	665	550
9	1016	752	591	482
10	943	683	527	423

COEFFICIENTS OF UTILIZATION

RC	RW			
	70	50	30	10
0	4260	4260	4260	4260
1	3874	3695	3535	3390
2	3523	3221	2972	2761
3	3209	2825	2528	2291
4	2927	2488	2167	1922
5	2675	2201	1871	1627
6	2452	1959	1629	1392
7	2256	1755	1430	1202
8	2081	1578	1262	1044
9	1927	1427	1121	914
10	1790	1296	1000	803