

ROOK 350 PENDANT

3.5" ROUND LENSED WALL WASHER PENDANT, LED

RK350-RLW
LED



APPLICATIONS:

Retail and commercial wall wash lighting

CONSTRUCTION:

Extruded aluminum pendant
Die-cast trim
Extruded aluminum heat sink

OPTICS:

Hornet HP Lensed Wall Wash Trim
Engineered nano technology lens provides high transmission while concealing LED image
LED:

Color Temp Options: 2200K, 2700K, 3000K, 3500K, 4000K
CRI: 83 typ. (2700K, 3000K, 3500K, 4000K)

90+ typ. (2200K, 2700K, 3000K)

Optional Amerlux CrispWhite technology

R9 Value: 11 (83CRI), 55 (90+CRI)

Binning: 3 MacAdam (SDMC)

Lumen Maintenance: >70% of initial lumens @ 50,000 hrs

Lumen Output: 14W - 1084 lm; 21W - 1558 lm

ELECTRICAL:

Electronic constant current LED driver, 120v/277v input
ELV and Triac dimming standard, 120v or 277v.

0-10v and Lutron systems also available. See following pages for more information.

This product complies with IEEE C62.41 for surge endurance up to 2.5KV. Amerlux® recommends using additional surge protection with this unit (supplied by others), surge damage is not covered by warranty.

MOUNTING:

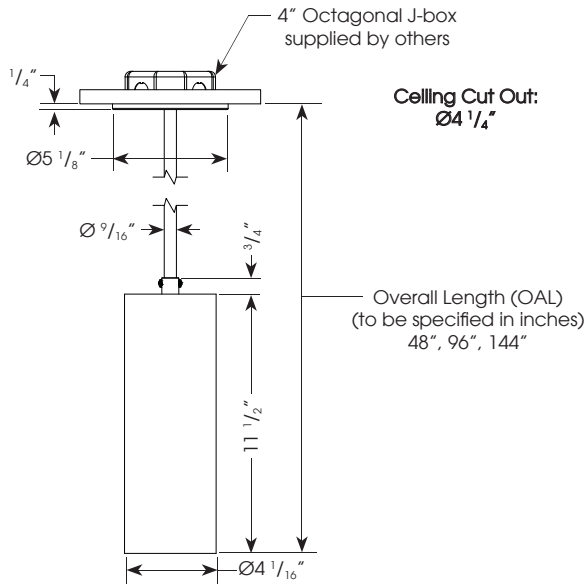
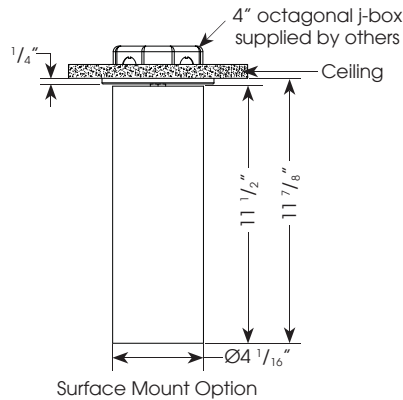
Rigid stem or surface mounting

LABELING:

approval to UL standards as tested by CSA
For indoor use only

PROJECT:

TYPE:



Electrostatic sensitive device, observe precautions for handling

ELECTRICAL

	14W		21W	
	System Watts	Amps	System Watts	Amps
120v	14	0.12	21	0.18
277v	14	0.05	21	0.08

ORDERING INFORMATION:

5 year limited warranty
AMERLUX LED
(see website for details)

Model	Wattage	Lamp Type	Housing Finish	Voltage	Mounting	Length (OAL)	Trim Finish	Color Temp (CCT-CRI)	Options
RK350-RLW	14 21	LED	MW - matte white MB - matte black SLV - matte silver	120/277	RS - rigid stem SM - surface mount	____ (Inches) (see dimension parameters above; consult factory for other lengths)	MW - matte white MB - matte black SLV - matte silver	27 - 2700K-83 30 - 3000K-83 35 - 3500K-83 40 - 4000K-83 229 - 2200K-90+ 279 - 2700K-90+ 309 - 3000K-90+	HILUME-ECO - Lutron Hi-lume®/ EcoSystem dimming HILUME-3WIRE - Lutron Hi-lume® 3 wire dimming 0-10V - 0-10v dimming
								CRISP - Crisp White	

Complete Example: RK350-RLW-21-LED-MW-120/277-RS-48-RLW-MW-30

Cat #:

Amerlux reserves the right to change details that do not affect overall function and performance.



ROOK 350 PENDANT

3.5" ROUND LENSED WALL WASHER PENDANT, LED

RK350-RLW
LED



TYPE:



FIXTURE DATA: For 14W data, multiply by 0.67

Complete photometric data (.ies format) available upon request.

CCT Conversion Factor: 2700K-83 = 0.96; 3500K-83 = 1.02; 4000K-83 = 1.04; 2200K-90+ = 0.71; 2700-90+ = 0.80; 3000K-90+ = 0.83; CRISP = 0.65

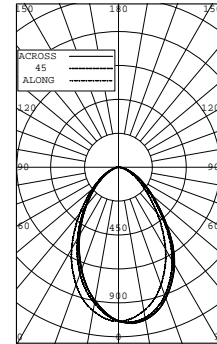
Rook 3.5" Round Lens Wall Washer 21W LED 3000K-83
Source: LED with frosted plastic optic Lumens: 1558
Recessed

ZONAL LUMEN SUMMARY

Zone	Lumens	%Fixt
0-30	683	43.85
0-40	1005	64.53
0-60	1411	90.60
0-90	1558	100.00
40-90	553	35.47
60-90	146	9.40
90-180	0	0.0
0-180	1558	100.00

Luminaire Efficacy: 68.9 lumens/watt

LTL# 631078



APPLICATION DATA:

Footcandles on Wall

Footcandles are average and rounded off.
Data for multiple units are based on a minimum of five units.

1.5 Feet From Wall

Distance from ceiling	1.5' Spacing				
	0.5'	1.5'	2.5'	3.5'	4.5'
0.5'	48	50	50	50	48
1.5'	94	99	100	99	91
2.5'	88	94	95	94	88
3.5'	60	66	68	66	61
4.5'	40	44	46	45	41
5.5'	28	31	32	31	29
6.5'	21	23	23	23	21
7.5'	16	17	18	17	16

1.5 Feet From Wall

Distance from ceiling	2' Spacing						
	0.5'	1.5'	2.5'	3.5'	4.5'	5.5'	6.5'
0.5'	37	40	37	40	37	40	36
1.5'	72	77	75	78	74	77	72
2.5'	69	73	74	75	74	73	69
3.5'	48	52	54	54	54	52	49
4.5'	33	36	37	38	37	36	33
5.5'	23	26	27	27	27	26	24
6.5'	17	19	20	20	20	19	18
7.5'	14	15	16	16	16	15	14

2 Feet From Wall

Distance from ceiling	2' Spacing						
	0.5'	1.5'	2.5'	3.5'	4.5'	5.5'	6.5'
0.5'	21	23	22	23	23	22	22
1.5'	48	51	51	52	51	51	48
2.5'	56	59	61	61	61	60	56
3.5'	47	51	52	53	53	51	47
4.5'	36	39	41	41	41	39	36
5.5'	27	29	31	31	31	29	27
6.5'	21	22	24	24	24	23	21
7.5'	16	18	19	19	19	18	16

ROOK 350 PENDANT

3.5" ROUND LENSED WALL WASHER PENDANT, LED



TYPE:



DIMMING COMPATIBILITY:

Amerlux® fixtures are compatible with all major dimming protocols prevalent in the United States. Please see below for general compatibilities and wiring diagrams. Amerlux recommends testing your unique dimming configuration as the exact full configuration (Dimmer, Fixture Quantity, Voltage, etc) may affect dimming performance.

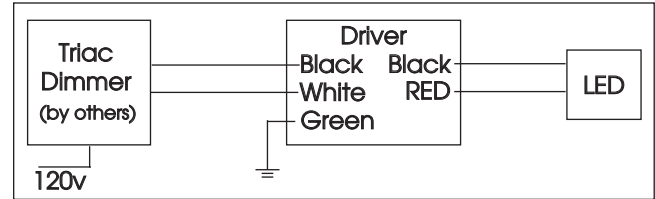
TRIAC (Forward Phase) DIMMING (standard)

Utilizes "Standard" incandescent dimmers that are in wide use in installations across the US. Best for retrofit applications where Triac dimmers are installed.

Notes:

- 120v only
- Dims down to less than 5% light output (most cases)
- Consult Dimming manufacturer for installation instructions - DO NOT SHARE NEUTRALS!
- Must meet dimmer Minimum Load Requirements per dimming manufacturer

Wiring Diagram



Compatible Dimmers

Wall Box (Incandescent Style, Wattage as required)

Lutron "Diva"	Lutron "Vareo"
Lutron "Nova-T"	Lutron "Skylark"
Lutron "Maestro"	

Central System

ETC "SR" Rack w/D20 Module	ETC "DRD" Rack w/D20 Module
Lutron "GP" Panel	Lutron Grafix Eye QS

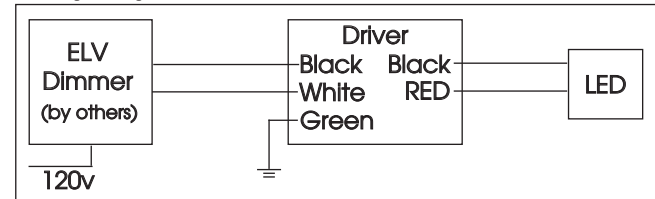
ELV - Electronic Low Voltage (Reverse Phase) DIMMING (standard)

Utilizes specialized "ELV" dimmers. Best for New Construction applications

Notes:

- 120v only
- Dims down to less than 5% light output (most cases)
- Consult Dimming manufacturer for installation instructions - DO NOT SHARE NEUTRALS!
- Must meet dimmer Minimum Load Requirements

Wiring Diagram



Compatible Dimmers

Wall Box (ELV Style)

Lutron "Diva"	Lutron "Vareo"
Lutron "Nova-T"	Lutron "Skylark"
Lutron "Maestro"	
Leviton "Surslide"	Leviton "Vizio"

Central System

ETC "SR" Rack w/ELV10 Module	ETC "DRD" Rack w/ELV10 Module
Lutron "GP" Panel with PHPM-PA Interface	Lutron Grafix Eye QS with PHPM-PA Interface

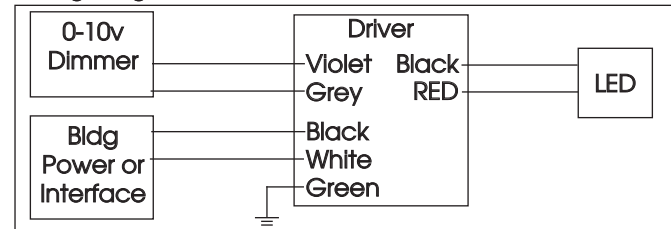
0-10V - DIMMING (-0-10V Option)

Integrates into a variety of building management and daylighting controls

Notes:

- 120v - 277v
- Dims down to 1% light output
- Requires interface to turn off power to driver
- Consult Dimming manufacturer for installation instructions - DO NOT SHARE NEUTRALS!

Wiring Diagram



Compatible Dimmers

Wall Box

Lutron "Diva" - DVTV with PP-120H Interface	Leviton Renoir II 0-10v
---	-------------------------

Central System

Lutron Grafix Eye with GRX-TVI Interface
--

ROOK 350 PENDANT

3.5" ROUND LENSED WALL WASHER PENDANT, LED

RK350-RLW
LED



TYPE:



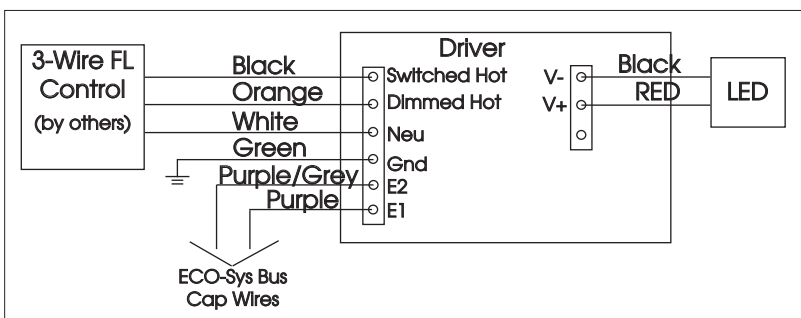
LUTRON HI-LUME / ECO-SYSTEM (-HILUME Option)

Integrates into a variety of building management and daylighting controls

Notes:

- 120v or 277v
- Dims down to 1% light output
- May use 3-Wire or Ecosystem Control
- Consult Dimming manufacturer for installation instructions - DO NOT SHARE NEUTRALS!

3-Wire Wiring Diagram



Compatible Dimmers

Wall Box (3-Wire Fluorescent)

- DIVA
- Maestro
- Nova T
- Vareo

Central System

- Lutron ECO-System compatible controls
- ETC "SR" Rack w/D20F Module
- ETC "DRD" Rack w/D20F Module

ECO System Digital Control Wiring

