

Linea® 1.5"

Linear Direct Wall Wash LED



Features

This amazing new light takes the shape of Linea 1.5" with a whole new purpose. A new star in the wall washing lighting category, this pendant has captured the imaginations of lighting designers worldwide. Linea 1.5" and the new Linea 1.5" Wall Wash make the perfect pair for every office space.

Product Overview

Type:	Cable Suspended or Surface Direct
Wattage:	5W/ft, 10W/ft (other wattages available see p2)
Lumen Output:	2,557 max; up to 734 Lm/W
Color Temp:	2700K, 3000K, 3500K, 4000K
CRI:	83 typ. (2700K, 3000K, 3500K, 4000K)
Dimming:	0-10V, 1% dimming (standard) Lutron Hi-lume® 3 wire, 1% dim Lutron Hi-lume® EcoSystem, 1% dim Lutron Hi-lume® 2 wire (120V only) Lutron Hi-lume® EcoSystem, 1% dim, fade to off Lutron Hi-lume® 5 Series DALI dimming, 0.1% dim

PROJECT:

TYPE:

Fixture Summary *(see following pages for more information)*

Runs

Individual Runs: 2' - 8' *(whole foot standard)*

Continuous Runs: Available *(whole foot standard)*

Custom: Made to measure available (nearest 1/8" of field dimensions).

Requires approval drawings. Added cost & lead time.

Electrical Data

Wattage Per Foot		4'		8'	
		System Watts	Amps	System Watts	Amps
5	120V	19	0.16	37	0.31
	277V	21.3	0.08	38	0.14
10	120V	40	0.33	80	0.66
	277V	40	0.15	80	0.30

Electronic multi-volt (120V-277V), constant current LED driver



Linea[®] 1.5" Direct Wall Wash

Linear Direct Wall Wash LED



PROJECT:

TYPE:

Ordering Information



1 Model
LIN1.5D-WW-A16*

2 Mounting
ASW10 - through ceiling tile or gyp board, white, 10'
ASW20 - through ceiling tile or gyp board, white, 20'
ASB10 - through ceiling tile or gyp board, black, 10'
ASB20 - through ceiling tile or gyp board, black, 20'
ASW10T - over ceiling tee, white, 10'
ASW20T - over ceiling tee, white, 20'
ASB10T - over ceiling tee, black, 10'
ASB20T - over ceiling tee, black, 20'
SM - surface mount

3 Wattage (per foot)
Standard:
5 - 5W/ft
10 - 10W/ft
Optional:
3 - 3W/ft (4' minimum length required)
4 - 4W/ft (4' minimum length required)
6 - 6W/ft
7 - 7W/ft
8 - 8W/ft
9 - 9W/ft

4 Color Temp
83 CRI:
27 - 2700K-83
30 - 3000K-83
35 - 3500K-83
40 - 4000K-83
92 CRI optional, consult factory

5 Finish
HW - high reflectance matte white
BT - black texture
ST - silver texture
For other RAL color, consult factory

6 Voltage
120/277

7 Length
_____ - specify individual, continuous run or made to measure length (*see details in Configuration*)

8 Configuration
IND¹ - individual fixture, 2' to 8' in 1' increments
CON - continuous run > than 8', specify to nearest foot
CUS - custom made to measure, +/- 1/8" of customer supplied field dimensions
Custom Patterns:
PC - please provide drawings and consult factory

9 Drivers
O-10V - 1% electronic dimming, multi-volt (120V-277V) constant current driver (standard).
HILUME-A-DH - Lutron "A" Series, 1% dim, 3-wire (Dim Hot)
HILUME-A-ECO - Lutron "A" Series, 1% dim, EcoSystem
HILUME-A-LTE - Lutron "A" Series, 1% dim, 2-wire, 120V only
HILUME-H-ECO - Lutron "H" Series, 1% dim, fade to off, EcoSystem
HILUME-5-ECO - Lutron "5" Series, EcoSystem
DALI - DALI Dimming 120V-277V, 0.1% dim

10 Options/Accessories
EMC-PF² - emergency circuit requires power feed located in last fixture section (for other locations consult factory)
PF² - Extra power feed for additional circuiting

1 - Lengths less than 4' may have restrictions based upon wattage, lengths, drivers or other options.

2 - Not available with IND (individual) configuration.

* The "A" refers to the sequential revision in a year and "XX" refers to the year of update. Updates coincide with improved performance while not changing the overall fixture aesthetic and are reflected in the published performance data. Please contact your Amerlux representative for explanations of changes.

Linea[®] 1.5" Direct Wall Wash

Linear Direct Wall Wash LED



PROJECT:

TYPE:

Specifications

Application

Retail and commercial wall wash lighting that is effective with a subtle presence. Used to highlight and balance brightness in a space by adding light to vertical surfaces

Construction

Two piece, inter locking extruded aluminum housing. Die-cast End Plates match fixture body finish. Die-formed, cold-rolled steel internal components are protected against rust and corrosion.

Optical

Flush mount snap-in Lens installation. Extruded acrylic lens provides excellent controlled light transmission while effectively concealing source image.

LED

Amerlux's boards and patented connector design with brand name LEDs enables Amerlux fixtures to have excellent thermal management and offer a 10 year warranty. Our LED binning is within 3 MacAdam ellipse. Boards are configured for maximum flexibility resulting in even illumination no matter the fixture layout. LED boards are easily replaced in the field with just a Phillips screw driver.

Color Temperature Options:

2700K, 3000K, 3500K, 4000K

CRI: 83 typical, 92 optional - consult factory

R9: 16 @ CRI 83

R9: >50 @ CRI 92

Life: 50,000+ hr., > 70% of initial lumens (L70)

Electrical

Wiring: Individual and "Beginning of Run" (BOR) fixtures are prewired with power cord. All configurations have quick connect power harnesses for row connections.

Standard Wattage: 5W/ft, 10W/ft.

Optional Wattages: 3W/ft, 4W/ft, 6W/ft, 7W/ft, 8W/ft, 9W/ft. (3W & 4W have a minimum length of 4'). For other wattages consult factory.

Emergency circuit via remote inverter or auxiliary emergency power supply (by others).

This product complies with IEEE C62.41 for surge endurance up to 2.5KV. Amerlux[®] recommends using additional surge protection with this unit (supplied by others), surge and over voltage damage is not covered under warranty.

EMC-PF - Emergency circuit requires power feed to be located in last fixture section for continuous runs. For other locations consult factory. Not available for individual (IND) configuration.

PF - Extra power feed for additional circuiting. Not available for individual (IND) configuration.

Drivers

0-10V - 1% electronic dimming, multi-volt (120V-277V) constant current driver (standard). Cap leads for non-dim applications.

Optional Drivers:

HILUME-A-DH - Lutron "A" Series, 1% dim, 3-wire (Dim Hot)

HILUME-A-ECO - Lutron "A" Series, 1% dim, EcoSystem

HILUME-A-LTE - Lutron "A" Series, 1% dim, 2-wire, 120V only

HILUME-H-ECO - Lutron "H" Series, 1% dim, fade to off, EcoSystem

HILUME-5-ECO - Lutron "5" Series, EcoSystem

DALI - DALI Dimming 120V-277V, 0.1% dim

Finish

All painted surfaces are premium powder coated baked on for maximum durability and color stability.

HW - High reflective matte White

BT - Black Texture

ST - Silver Texture

For special paint colors supply RAL and/or actual paint chip for factory consultation.

Configurations/Lengths

IND - Individual fixtures are made of single standard lengths of 2 ft to 8 ft (in 1' increments). These are stand alone fixtures with matching End Caps, supplied with the mounting hardware. Lengths less than 4' may have restrictions based upon wattage, lengths, drivers or other options.

CON - Continuous runs, > 8' specified to nearest whole foot length in 1' increments. Runs made from standard lengths have End Caps at the beginning and end of run. Runs > 60' may require second power feed. Each Housing has factory installed alignment pins. Mating fixtures are easily aligned and joined with "catch and latch" mechanism out of sight, on top of the Housing. Wiring is made fast and positive with molded quick connectors.

CUS - Custom made to measure runs are made to nearest 1/8" of customer supplied field measurements or drawings. Custom lengths use the same hardware for hairline joining.

PC - Custom Patterns may use standard lengths, Made To Measure, 90° or other corners (some limitations). Please provide drawing and consult factory.

Mounting

The Linea 1.5 Wall Wash is a pendant mounted wall wash. It is best spaced 18" from wall (12" min and 36" maximum). It can be surface mounted or in continuous rows. Standard and custom patterns available.

LIN1.5WW-A16....ASW10 - Wall Wash pendant is installed in center of ceiling tile or gypsum board ceiling (standard) i.e. ASW10. Or if canopy is installed on a grid Tee runner add, **T** i.e. ASW10T.

Cable Suspension: Cable is stranded stainless steel wire. All fittings are protected against rust and corrosion. Canopies are 5" x 1/4" die formed painted steel. Adjustment mechanism allows for infinite height adjustment. Amerlux recommends the required feed and non-feed suspensions based upon length and electrical options. Options include: color of canopy and power cord (black or white), length 10' or 20', and mounting condition, in center of ceiling tile and in gypsum board ceiling (standard) i.e. ASW10. Or if canopy is installed on a grid Tee runner add, **T** i.e. ASW10T

LIN1.5WW-A16-SM - Surface Mount Housing needs to be attached to solid structure above. Mounting holes are pre-drilled at factory. Some fixture disassembly and reassembly required. Mounting hardware by others.

Certifications

Approved to UL standards for damp locations as tested by CSA
Intended for indoor use only

Warranty

Amerlux's 5 year limited warranty. Please consult Amerlux website for details.

Linea[®] 1.5" Direct Wall Wash

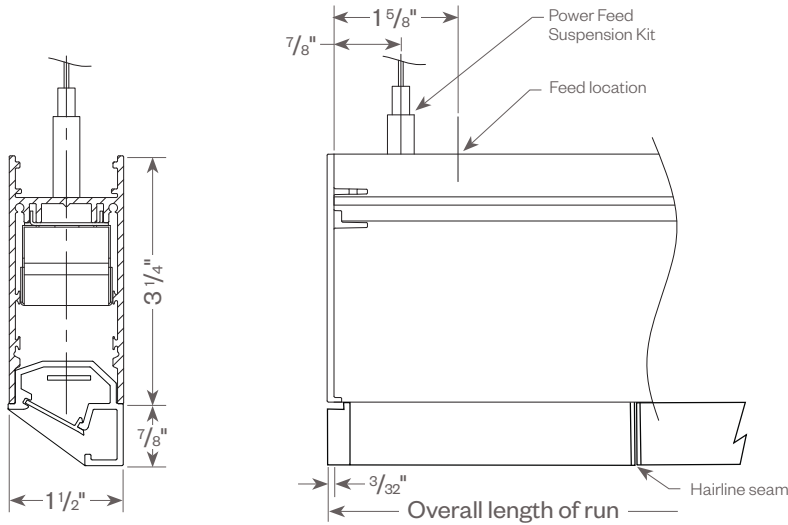
Linear Direct Wall Wash LED



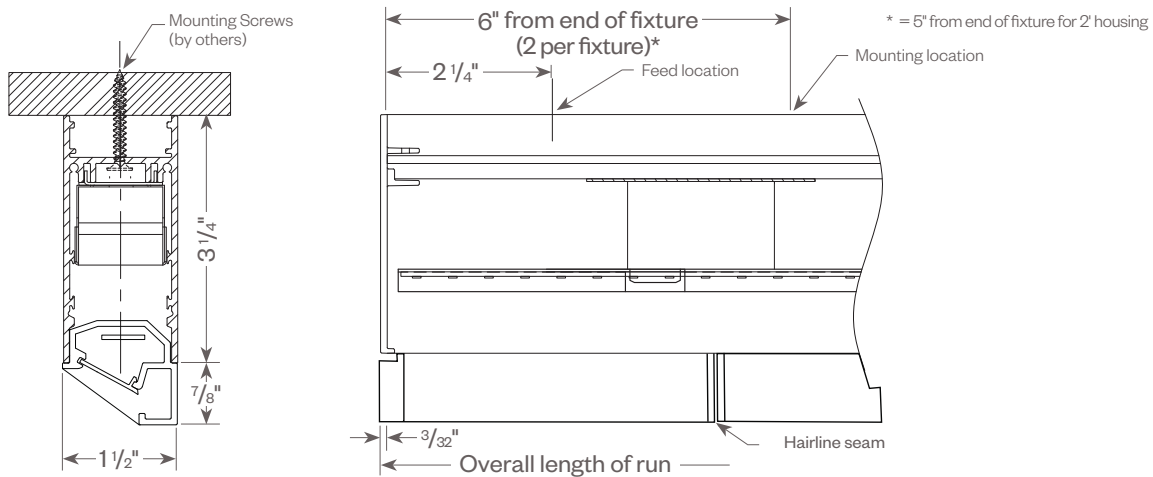
PROJECT:

TYPE:

LINEA 1.5" WALL WASH



LINEA 1.5" WALL WASH SURFACE MOUNT

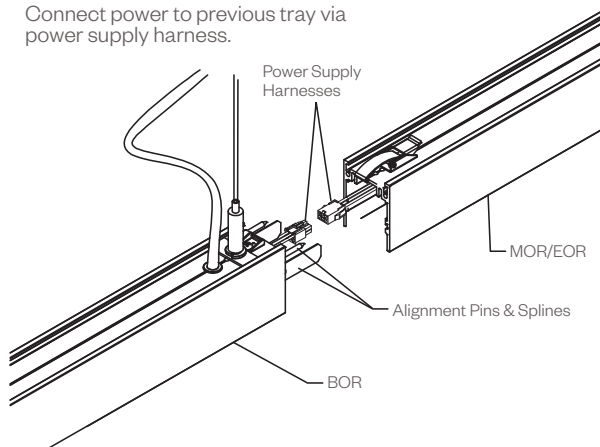


TOOLLESS JOINING

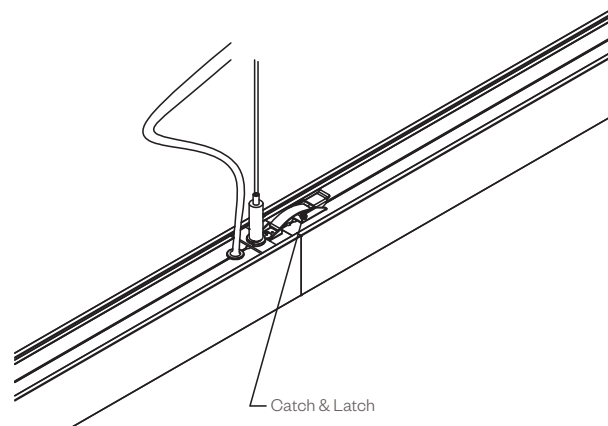
Line up the two housings by using the alignment pins & splines. Secure them together by using the Catch & Latch System on the top on the extrusion.

Connect Power

Connect power to previous tray via power supply harness.



Secure Fixtures/Joint



Linea[®] 1.5" Direct Wall Wash

Linear Direct Wall Wash LED

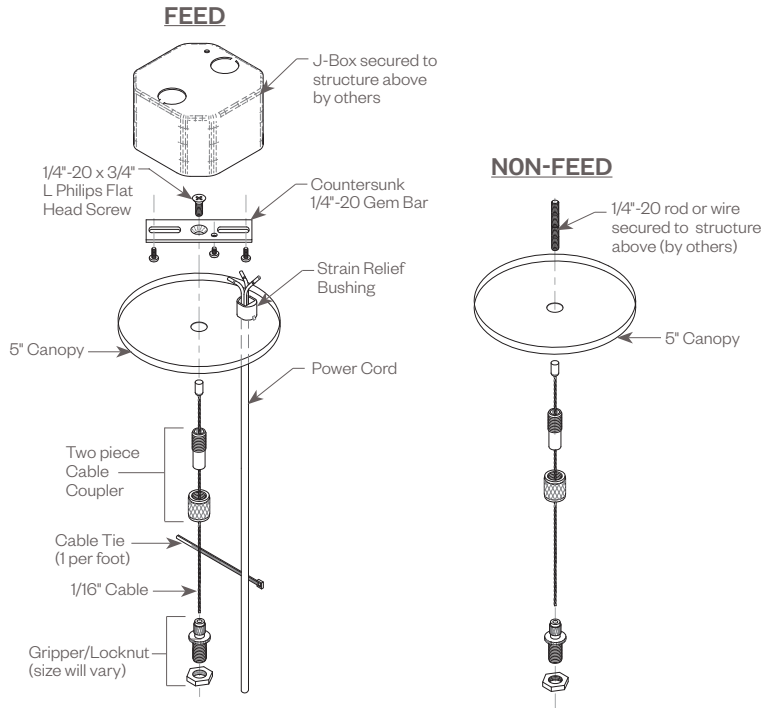


PROJECT:

TYPE:

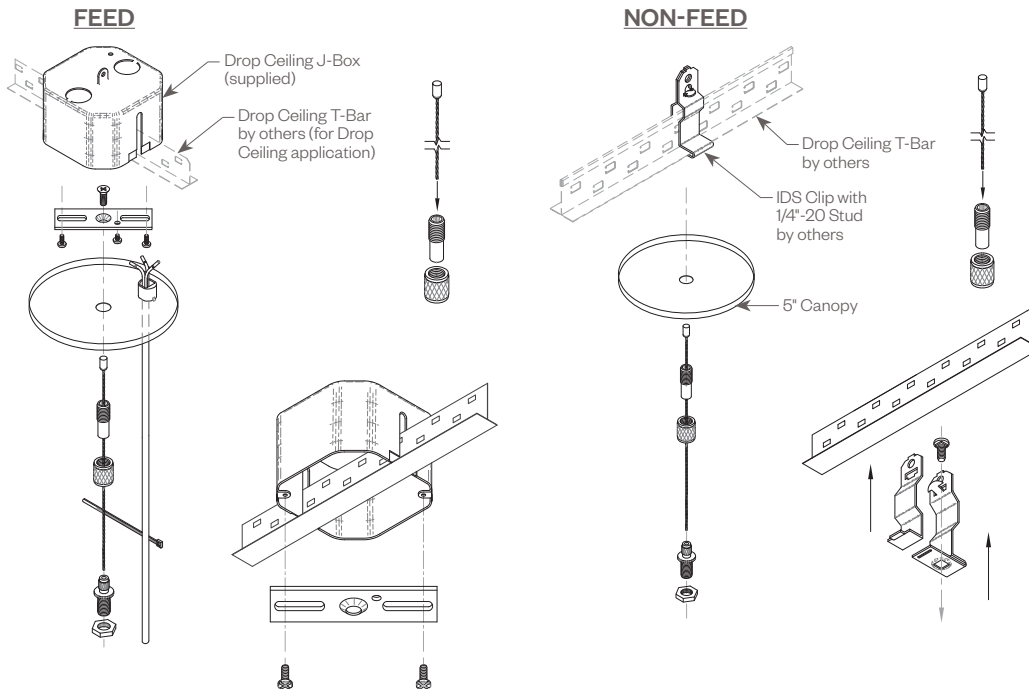
CABLE KIT SUSPENSION OPTIONS:

CEILING OR GYPSUM BOARD (ASW10, ASW20, ASB10, ASB20)



Cat#	Length	Cord/Canopy	Application
ASW10	10'	white/white	ceiling tile/gypsum
ASW20	20'	white/white	ceiling tile/gypsum
ASB10	10'	black/black	ceiling tile/gypsum
ASB20	20'	black/black	ceiling tile/gypsum
ASW10T	10'	white/white	ceiling tee
ASW20T	20'	white/white	ceiling tee
ASB10T	10'	black/black	ceiling tee
ASB20T	20'	black/black	ceiling tee

TEE GRID OR SCREW SLOT (ASW10T, ASW20T, ASB10T, ASB20T)



Linea[®] 1.5" Direct Wall Wash

Linear Direct Wall Wash LED



PROJECT:

TYPE:

FIXTURE DATA: (Complete photometric data (.ies format) available upon request)

MULTIPLYING FACTORS: (Multiplying Factor is based on 3500K-83 120V IES file on website)

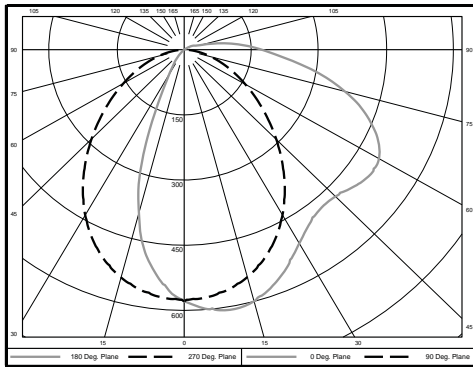
Wattage:	3W	4W	5W	6W	7W	8W	9W
Factor:	0.63	0.82	1.0	1.17	1.34	1.50	1.64

CCT:	2700K-83	3000K-83	3500K-83	4000K-83
Factor:	0.87	0.93	1.0	1.08

LINEA 1.5" DIRECT WALL WASH 5W 3500K 4FT

Total Watts: 19
Total Lumens: 1,384
Source: 96 White LED's

LTL# 11665872.03



ZONAL LUMEN SUMMARY

Zone	Lumens	%Fixt
0-40	589	42.5
0-60	955	69.0
0-90	1331	96.2
90-180	53	3.9

Efficacy = 73.4 Lumens /Watt

COEFFICIENTS OF UTILIZATION

Effective Floor Cavity Reflectance 20%

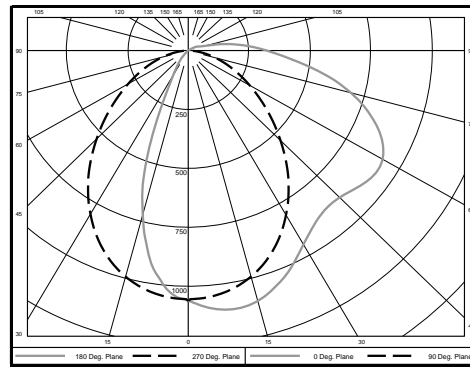
RC	80			
RW	70	50	30	10
RCR				
0	1591	1591	1591	1591
1	1423	1354	1291	1234
2	1287	1174	1079	999
3	1172	1031	921	832
4	1075	917	800	710
5	992	824	705	616
6	920	747	629	543
7	857	682	567	485
8	801	626	514	437
9	752	579	471	397
10	708	537	433	363

Note: Values expressed as Lumens Delivered to the task surface.

LINEA 1.5" DIRECT WALL WASH 10W 3500K 4FT

Total Watts: 38
Total Lumens: 2,557
Source: 96 White LED's

LTL# 11665872.04



ZONAL LUMEN SUMMARY

Zone	Lumens	%Fixt
0-40	1085	42.4
0-60	1760	68.8
0-90	2458	96.1
90-180	99	3.9

Efficacy = 66.6 Lumens /Watt

COEFFICIENTS OF UTILIZATION

Effective Floor Cavity Reflectance 20%

RC	80			
RW	70	50	30	10
RCR				
0	2939	2939	2939	2939
1	2627	2498	2382	2277
2	2375	2166	1991	1842
3	2163	1903	1699	1535
4	1984	1693	1476	1308
5	1831	1521	1301	1136
6	1697	1378	1160	1002
7	1581	1258	1045	893
8	1478	1156	949	805
9	1387	1067	868	731
10	1306	991	799	669

Note: Values expressed as Lumens Delivered to the task surface.

Linea[®] 1.5" Direct Wall Wash

Linear Direct Wall Wash LED



PROJECT:

TYPE:

DIMMING COMPATIBILITY:

Amerlux[®] Linea fixtures are compatible with all major dimming protocols prevalent in the United States. Please see below for general compatibilities and wiring diagrams. Amerlux recommends testing your unique dimming configuration as the exact full configuration (Dimmer, Fixture Quantity, Voltage, etc) may affect dimming performance.

--- NOTE: INFORMATION BELOW IS FOR WIRED DIMMERS ONLY. FOR WIRELESS DIMMERS, CONSULT FACTORY ---

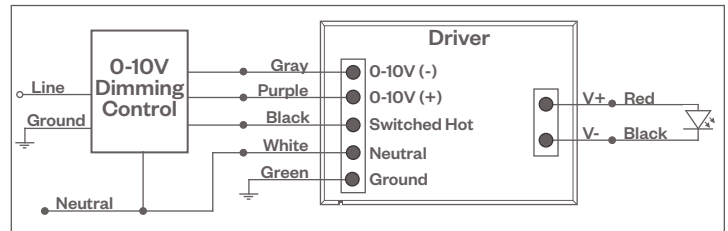
0-10V - DIMMING (Standard)

Integrates into a variety of building management and daylighting controls

Notes:

- 120V or 277V*
- Dims down to 1% light output
- Requires interface to turn off power to driver
- Consult Dimming manufacturer for installation instructions - DO NOT SHARE NEUTRALS!

0-10V Wiring Diagram



Compatible Dimmers

Wall Box

Lutron "Diva" - DDTV with PP-120H Interface

Leviton Renoir II 0-10v

Central System

Lutron Grafik Eye with GRX-TV1 Interface

LUTRON HI-LUME DIMMING

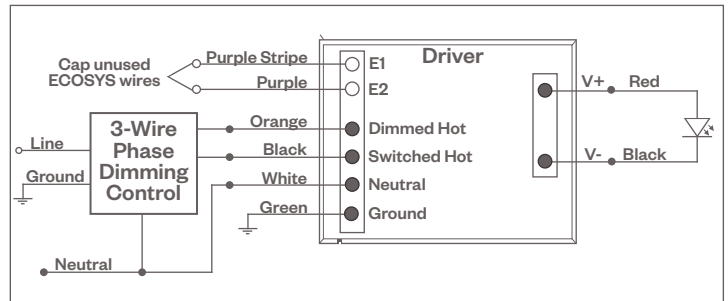
Integrates into Lutron EcoSystem building management

Notes:

- 120V or 277V*
- Dims down to less than 5% light output
- May use 3-Wire or EcoSystem Control
- Consult Dimming manufacturer for installation instructions - DO NOT SHARE NEUTRALS!

HILUME-A-DH

3-Wire Wiring Diagram



Compatible Dimmers

Wall Box (3-Wire Fluorescent)

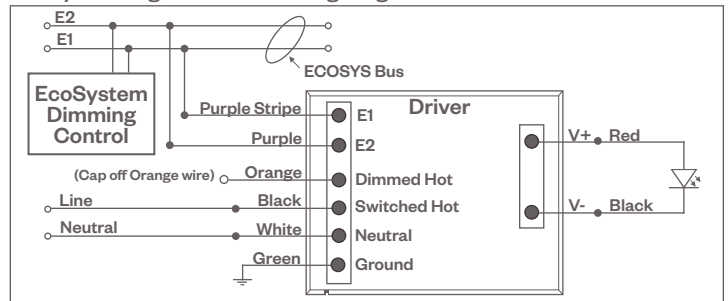
DIVA
Maestro
Nova T
Vareo

Central System

Lutron EcoSystem compatible controls

HILUME-A-ECO, HILUME-H-ECO, HILUME-5-ECO

EcoSystem Digital Control Wiring Diagram



Notes:

- * Driver is 277V dimmable with appropriate dimmer (by others). All provided wiring diagrams show 120V wiring colors and method. Please refer to 277V dimmer installation instructions for 277V wiring diagrams.

Linea[®] 1.5" Direct Wall Wash

Linear Direct Wall Wash LED



PROJECT:

TYPE:

DIMMING COMPATIBILITY:

Amerlux[®] Linea fixtures are compatible with all major dimming protocols prevalent in the United States. Please see below for general compatibilities and wiring diagrams. Amerlux recommends testing your unique dimming configuration as the exact full configuration (Dimmer, Fixture Quantity, Voltage, etc) may affect dimming performance.

--- NOTE: INFORMATION BELOW IS FOR WIRED DIMMERS ONLY. FOR WIRELESS DIMMERS, CONSULT FACTORY ---

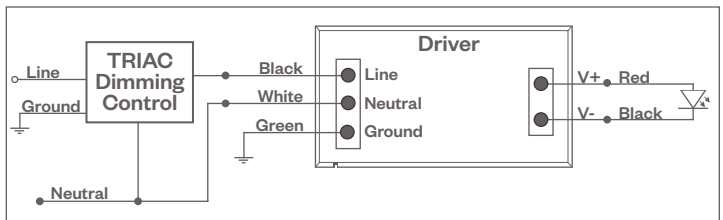
LUTRON HILUME-A-LTE DIMMING

Utilizes "Standard" incandescent dimmers that are in wide use in installations across the US. Best for retrofit applications where TRIAC dimmers are installed.

Notes:

- 120V only
- Dims down to less than 1% light output (most cases)
- Consult Dimming manufacturer for installation instructions - DO NOT SHARE NEUTRALS!
- Must meet dimmer Minimum Load Requirements per dimming manufacturer

Lutron HILUME-A-LTE Wiring Diagram



Compatible Dimmers

Wall Box (Incandescent Style, Wattage as required)

Lutron "Diva"	Lutron "Vareo"
Lutron "Nova-T"	Lutron "Skylark"
Lutron "Maestro"	

Central System

ETC "SR" Rack w/D20 Module	Lutron Grafik Eye QS
Lutron "GP" Panel	
ETC "DRD" Rack w/D20 Module	

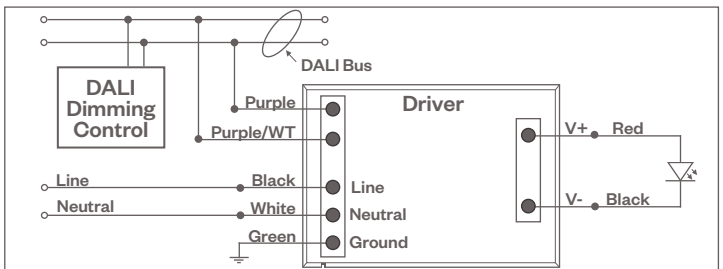
DALI - DALI DIMMING 120V-277V

Digital control protocol allows individual fixture control

Notes:

- 120V - 277V*
- Dims down to 0.1% light output in most cases

DALI Wiring Diagram



Compatible Dimmers

Wall Box (3-Wire Fluorescent)

Leviton CD250 Controller

Central System

Dynalite
Fifth Light

Notes:

* Driver is 277V dimmable with appropriate dimmer (by others). All provided wiring diagrams show 120V wiring colors and method. Please refer to 277V dimmer installation instructions for 277V wiring diagrams.