

# Drama-Linear Wall Grazer



## Features

Drama-Linear Wall Grazer, a polished, extruded aluminum fixture housing, 8 Watt LED's per linear foot, created specifically to enhance outstanding architectural surfaces and materials. Optically and thermally engineered, Drama-Linear Wall Grazer features a discreet 2-inch aperture and utilizes high-output white LEDs creating visually stunning results.

## Product Overview

Type:	Recessed Wall Grazer
Wattage:	8W/ft
Lumen Output:	1,219 max; 28.3 Lm/W (8W, 4ft fixture)
Color Temp:	2700K, 3000K, 3500K, 4000K
CRI:	83 typ. (2700K, 3000K, 3500K, 4000K)
Dimming:	Non-dimming 0-10V, 1% dimming (standard) Lutron Hi-lume® 1% dim, EcoSystem or 3 wire (Dim Hot)

*\*International version available, see website for spec sheet.*

PROJECT:

TYPE:

## Fixture Summary *(see following pages for more information)*

### Performance Chart

Wattage Per Foot	Delivered Lumens	LPW	Color Temp
8	1219	28.3	3000K

*Data is based on 3000K-83 IES files available on website  
Data based on 4' fixture with PAL finish*

### Runs

Individual (IND) Runs: 2' - 8' nominal lengths in 1' increments.

Continuous (CON)Runs: Lengths greater than 8' nominal, order to the nearest 1' increment.

Custom (CUS): Made to measure lengths are cut to nearest 1/8". Less than whole foot lengths will have equal unlit segments at each end. Consult factory, requires approval drawings adding lead time and cost.

### Electrical Data

Wattage Per Foot		4'		8'	
		System Watts	Amps	System Watts	Amps
8	120V	28.5	0.24	71.3	0.59
	277V	28.6	0.15	69.6	0.26



# Drama-Linear Wall Grazer

LED



PROJECT:

TYPE:

## Ordering Information:



- 1** Model  
**DRA-LWG-A16<sup>†</sup>**  
**DRA-LWG-GRID-A16<sup>†</sup>**
- 2** Wattage (per foot)  
**8**
- 3** Color Temp  
**83 CRI:**  
**27** - 2700K-83  
**30** - 3000K-83  
**35** - 3500K-83  
**40** - 4000K-83  
*92 CRI optional, consult factory*
- 4** Optics  
**PAL** - polished aluminum reflector  
**DAL** - diffuse aluminum (standard) reflector
- 5** Voltage  
**120/277**
- 6** Length  
----- - specify length  
(for individual fixture, 2' to 8' in 1' increments)  
(for continuous run > than 8', specify to nearest foot)
- 7** Configuration  
**IND<sup>†</sup>** - individual fixture, 2' to 8' in 1' increments  
**CON** - continuous run > than 8', specify to nearest foot  
**CUS** - custom made to measure  $\pm 1/8$ " of customer supplied field dimensions
- 8** Driver  
**ND** - non-dim (standard)  
**0-10V** - 0-10v dimming  
**HILUME-A-ECO-DH** - Lutron "A" Series, 1% dim, EcoSystem or 3-wire (Dim Hot)
- 9** Options/Accessories  
**CP** - Chicago Plenum  
**EMC-PF<sup>2</sup>** - emergency circuit requires power feed located in last fixture section (for other locations consult factory)  
**PF<sup>2</sup>** - Extra power feed for additional circuiting

1 - Lengths less than 4' may have restrictions based upon wattage, lengths, drivers or other options.

2 - Not available with IND (individual) configuration.

3 - See notes on Configurations/Lengths on page 3

<sup>†</sup> The "A" refers to the sequential revision in a year and "XX" refers to the year of update. Updates coincide with improved performance while not changing the overall fixture aesthetic and are reflected in the published performance data. Please contact your Amerlux representative for explanations of changes.

# Drama-Linear Wall Grazer

LED



## PROJECT:

## TYPE:

### Specifications

#### Application

Emphasize vertical surfaces and wall textures with Drama.  
Adds drama to any space.

#### Construction

Extruded aluminum housing. Die-formed galvanized internal components and aluminum modular bracket.

#### Optical

Optics are created by the surface finish of the pure aluminum reflectors.

**DAL** - Diffused aluminum, non-directional satin (standard).

**PAL** - Polished specular aluminum.

#### LED

Amerlux's boards and patented connector design with brand name LEDs enables Amerlux fixtures to have excellent thermal management and offer a 10 year warranty. Our LED binning is within 3 MacAdam ellipse. Boards are configured for maximum flexibility resulting in even illumination no matter what the fixture layout. LED boards are easily replaced in the field with just a Phillips screw driver.

#### Color Temperature Options:

2700K, 3000K, 3500K, 4000K

**CRI:** 83 typical, 92 optional - consult factory

R9: 16 @ CRI 83

R9: >50 @ CRI 92

**Life:** 50,000+ hr., > 70% of initial lumens (L70)

#### Electrical

**Wattage:** 8W/ft

**Wiring:** All fixtures are pre-wired and provided with a 6' factory installed whip.

Electronic multi-volt (120V-277V) constant voltage driver.

Emergency circuit via remote inverter or auxiliary emergency power supply (by others)

**This product complies with IEEE C62.41 for surge endurance up to 2.5KV. Amerlux® recommends using additional surge protection with this unit (supplied by others), surge and over voltage damage is not covered under warranty.**

**EMC-PF** - Emergency circuit requires power feed wire harness to be located in last fixture section for continuous runs. For other locations consult factory. Not available for individual (IND) configuration.

**PF** - Extra power feed wire harness for additional circuiting. Not available for individual (IND) configuration.

#### Drivers

**ND** - Non-Dimming (standard)

#### Optional Drivers:

**O-10V** - 0-10V dimming (optional)

**HILUME-A-ECO-DH** - Lutron "A" Series, 1% dim, EcoSystem or 3-wire (Dim Hot)

#### Configurations/Lengths

Straight lengths only.

**IND** - Individual Fixtures, 2' to 8' nominal lengths in 1' increments. For exact length add 3/8" to nominal length.

**CON** - Continuous Runs, nominal lengths greater than 8', order to the nearest 1'. For exact length add 3/8" plus 1/8" for each 8' length, (required for part tolerances and installation).

**CUS** - Custom Runs, installations with lengths that are incrementally less than or equal to 1' will have illuminated section reduced to nearest foot. The unlit section will be equally divided at each end.

Examples:

<u>Exact Length</u>	<u>Lit Section</u>
8'-6"	8'
9'	8'
12'-3"	12'

**Consult factory, requires approval drawings adding lead time and cost.**

#### Mounting

**DRA-LWG-A16** - Gypsum board mud in only

**DRA-LWG-GRID-A16** - all common ceiling grids - 9/16", screw slot, or 15/16" Tee.

#### Certifications

Approved to UL standards for damp locations as tested by CSA. Intended for indoor use only

Chicago Plenum (CCEA) optional.

#### Warranty

Amerlux's 5 year limited warranty. Please consult Amerlux website for details.

# Drama-Linear Wall Graze

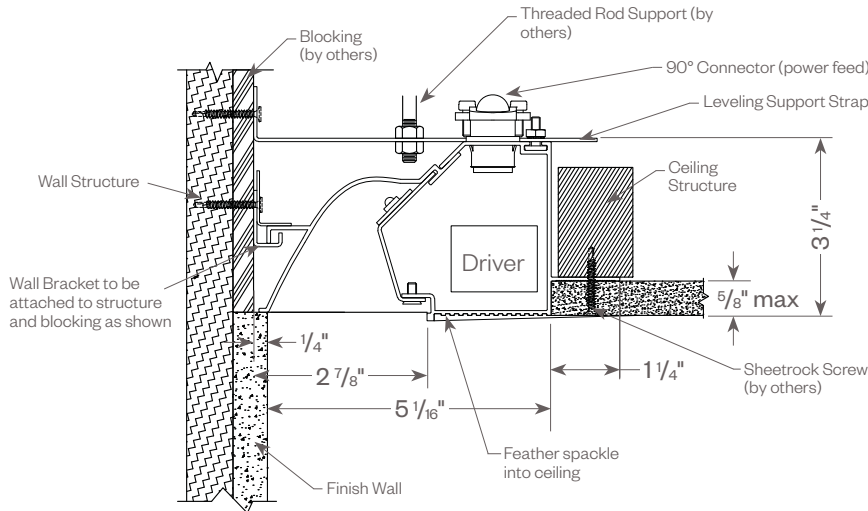
LED



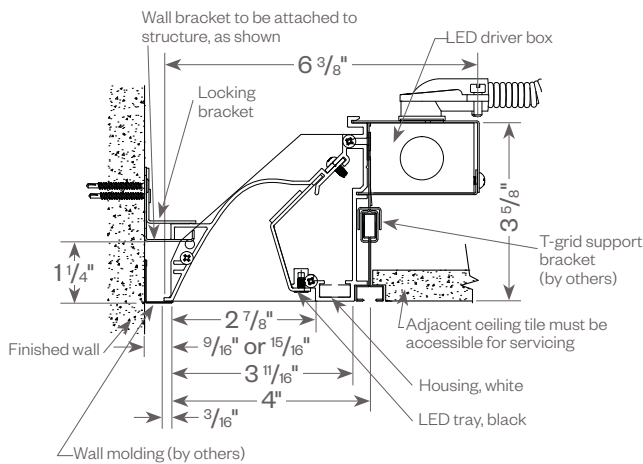
PROJECT:

TYPE:

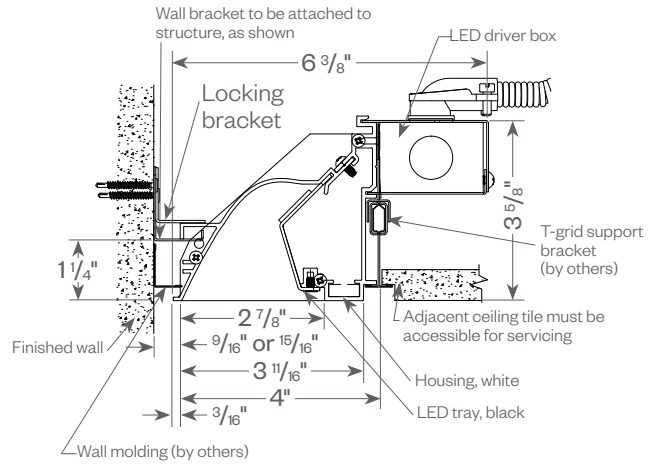
## DRAMA - LINEAR WALL GRAZER



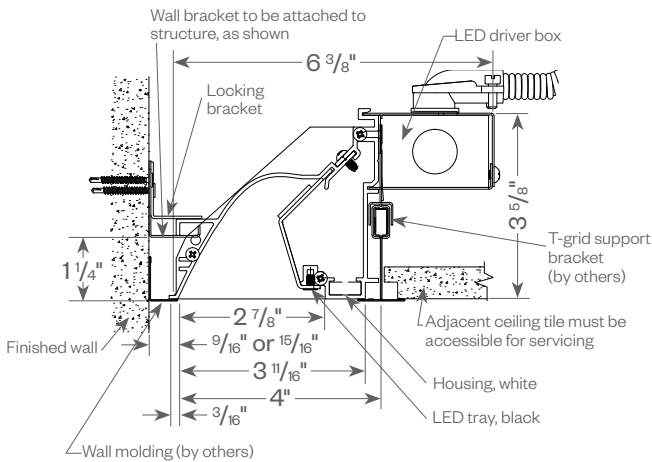
## DRAMA - LINEAR WALL GRAZER (GRID VERSION)



Ceiling Grid: 9/16" Slot-Grid



Ceiling Grid: 9/16" T-Grid



Ceiling Grid: 15/16" T-Grid

# Drama-Linear Wall Graze

LED



**PROJECT:**

**TYPE:**

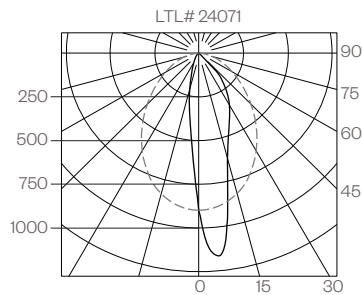
**FIXTURE DATA:** (Complete photometric data (.ies format) available upon request)

**MULTIPLYING FACTORS:** (Multiplying Factor is based on 3000K-83 120V IES file on website)

CCT:	2700K-83	3000K-83	3500K-83	4000K-83
Factor:	0.93	1.0	1.08	1.15

**DRA-LWG 8W DAL (DIFFUSE ALUMINUM) 3000K 4FT**

Total Watts: 43  
Total Lumens: 827  
Source: 96 White LED's



**ZONAL LUMEN SUMMARY**

Zone	Lumens	%Fixt
0-30	425.8	51.5
0-40	590.4	71.4
0-60	777.9	94.1
0-90	827.1	100.0
90-180	0	0.0
0-180	827.1	100.0

**Efficacy = 19.1 Lumens /Watt**

**COEFFICIENTS OF UTILIZATION**

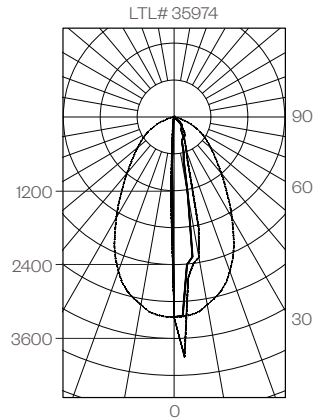
Effective Floor Cavity Reflectance 20%

RC	70	50	30	10
RW				
ROR				
0	985	985	985	985
1	927	899	874	851
2	868	818	777	742
3	812	747	696	656
4	760	684	629	587
5	713	630	572	530
6	671	583	524	482
7	632	542	483	442
8	597	505	448	408
9	565	473	417	379
10	536	444	390	353

Note: Values are expressed as Lumens delivered to the task surface

**DRA-LWG 8W PAL (POLISHED ALUMINUM) 3000K 4FT**

Total Watts: 43  
Total Lumens: 1219  
Source: 96 White LED's



**ZONAL LUMEN SUMMARY**

Zone	Lumens	%Fixt
0-30	700	57.45
0-40	905	74.25
0-60	1154	94.64
0-90	1219	100.0
90-180	0	0.0
0-180	1219	100.0

**Efficacy = 28.3 Lumens /Watt**

**COEFFICIENTS OF UTILIZATION**

Effective Floor Cavity Reflectance 20%

RC	70	50	30	10
RW				
ROR				
0	1451	1451	1451	1451
1	1378	1341	1317	1280
2	1304	1256	1195	1158
3	1243	1158	1097	1048
4	1182	1085	1024	963
5	1122	1012	939	890
6	1061	951	878	829
7	1000	890	817	768
8	963	841	768	719
9	902	792	719	671
10	866	744	671	622

Note: Values are expressed as Lumens delivered to the task surface