

# Fino<sup>®</sup> Healthcare

## Asymmetric Wall Mount Indirect LED



Fino Healthcare

### Features

Fino Healthcare fixture is ideal for applications requiring a wipe down lens with no horizontal "shelf" surfaces. Designed with an integrated acrylic lens to protect the light source, Fino Healthcare promotes a crisp, comfortable work environment. At only 5/8" deep, Fino runs seamlessly across the walls without the need to cut wall studs, leaving ceilings pristine clean – creating a beautiful visual impression. Fino wall mount is available for mud-in trimless gypsum board installations or exposed flanged for 5/8" gypsum board or millwork.

### Product Overview

Type:	Asymmetric, Wall Mount, Indirect Healthcare, Wipe down lens
Wattage:	6W/ft, 12W/ft (other wattages consult factory)
Lumen Output:	4,113 max; 79.5 Lm/W (12W/ft, 4ft fixture)
Color Temp:	2700K, 3000K, 3500K, 4000K
CRI:	83 typ. (2700K, 3000K, 3500K, 4000K)
Dimming:	0-10V, 1% dimming (standard) Lutron Hi-lume <sup>®</sup> 2 wire (120V only) Lutron Hi-lume <sup>®</sup> EcoSystem, 1% dim, fade to off Lutron Hi-lume <sup>®</sup> 5 Series DALI dimming, 0.1% dim

PROJECT:

TYPE:

### Fixture Summary *(see following pages for more information)*

#### Performance Chart

Wattage Per Foot	Delivered Lumens	LPW	Color Temp
6	2468	102	3000K-83
12	4113	79.5	3000K-83

*Data is based on 3000K-83 IES files available on website  
Data is based on 4' fixture*

#### Runs

Individual Runs: 1' - 8' *(to nearest 6")*

Continuous Runs: Available *(to nearest 6")*

#### Electrical Data

Wattage Per Foot		4'		8'	
		System Watts	Amps	System Watts	Amps
6	120V	23.8	0.20	47	0.39
	277V	25.6	0.09	47.5	0.17
12	120V	50	0.41	100	0.82
	277V	50.3	0.18	100.6	0.36

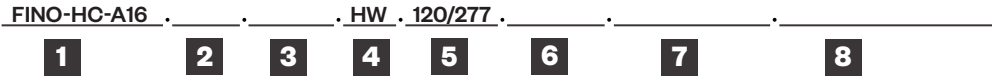
*Electronic multi-volt (120V-277V), constant current LED driver*



**PROJECT:**

**TYPE:**

**Ordering Information**



- |  |  |
|--|--|
| <p><b>1</b> <u>Model</u><br/> <b>FINO-HC-A16<sup>†</sup></b> (gyp board, trimless mud-in)<br/> <b>FINO-HC-REMOTE-A16<sup>†</sup></b> (gyp board, trimless mud-in, remote driver)<br/> <b>FINO-HC-FLG-A16<sup>†</sup></b> (exposed flange)<br/> <b>FINO-HC-FLG-REMOTE-A16<sup>†</sup></b> (exposed flange, remote driver)</p> <p><b>2</b> <u>Wattage (per foot)</u><br/> <b>6</b><br/> <b>12</b><br/> <i>Consult factory for other wattage options</i></p> <p><b>3</b> <u>Color Temp</u><br/> <b>83 CRI:</b><br/> <b>27</b> - 2700K-83<br/> <b>30</b> - 3000K-83<br/> <b>35</b> - 3500K-83<br/> <b>40</b> - 4000K-83<br/> <i>92 CRI optional, consult factory</i></p> <p><b>4</b> <u>Finish</u><br/> <u>For Mud-in version:</u><br/> <b>HW</b> - high reflectance matte white<br/><br/> <u>For Flange Version:</u><br/> <b>HW</b> - high reflectance matte white<br/> <b>BT*</b> - black texture for exposed flange only<br/> <b>ST*</b> - silver texture for exposed flange only<br/> <i>* Reflector is always painted HW (high reflectance white).</i></p> <p><b>5</b> <u>Voltage</u><br/> <b>120/277</b></p> | <p><b>6</b> <u>Length</u><br/>         ----- - specify length<br/>         (for individual fixture, 18" to 8' in 6" increments)<br/>         (for continuous run, specify to nearest 6")</p> <p><b>7</b> <u>Configuration</u><br/> <b>IND<sup>1</sup></b> - individual fixture, 18" to 8' in 6" increments<br/> <b>CON</b> - continuous run &gt; than 8', specify to nearest 6"</p> <p><b>8</b> <u>Drivers</u><br/> <b>0-10V</b> - 1% electronic dimming, multi-volt (120V-277V) constant current driver (standard).<br/> <b>Consult Factory for the following options:</b><br/> <b>HILUME-A-LTE</b> - Lutron "A" Series, 1% dim, 2-wire, 120V only<br/> <b>HILUME-H-ECO</b> - Lutron "H" Series, 1% dim, fade to off, EcoSystem<br/> <b>HILUME-5-ECO</b> - Lutron "5" Series, EcoSystem<br/> <b>DALI</b> - DALI Dimming 120V-277V, 0.1% dim</p> |
|--|--|

1 - Lengths less than 4' may have restrictions based upon wattage, lengths, drivers or other options.

<sup>†</sup> The "A" refers to the sequential revision in a year and "XX" refers to the year of update. Updates coincide with improved performance while not changing the overall fixture aesthetic and are reflected in the published performance data. Please contact your Amerlux representative for explanations of changes.

## PROJECT:

## TYPE:

### Specifications

#### Application

Especially developed for healthcare facilities, wipe down lens and no horizontal surfaces allow for easy cleaning. Can be used for uplight or downlight applications

#### Construction

Two piece assembly:

- 1) Extruded aluminum mud-in or exposed flange no spackle frame and sheet metal die-formed gear tray.
- 2) Snap-in Reflector extruded aluminum optical assembly.

Positive latching system for hairline seams.

#### Optical

Engineered optical system with internal asymmetric high reflectance white reflector and vertical wipe down cover lens.

#### LED

Amerlux's boards and patented connector design with brand name LEDs enables Amerlux fixtures to have excellent thermal management and offer a 5 year warranty. Our LED binning is within 3 MacAdam ellipse. Boards are configured for maximum flexibility resulting in even illumination no matter what the fixture layout. LED boards are easily replaced in the field with just a Phillips screw driver.

#### Color Temperature Options:

2700K, 3000K, 3500K, 4000K

**CRI:** 83 typical, 92 optional - consult factory

R9: 16 @ CRI 83

R9: >50 @ CRI 92

**Life:** 50,000+ hr., > 70% of initial lumens (L70)

#### Electrical

**Wattage:** 6W/ft, 12W/ft (consult factory for other wattages).

**Wiring** (see page 6 for wiring illustrations):

**Integral Driver** uses Standard Driver enclosure (on the back of fixture). It is adjusted for installation in between 16" o.c. or greater wall studs. 1 or 2 drivers per fixture required based upon Wattage and Length (see table 1 pg 4). Line voltage Power Feed (by others) must be brought to each Driver enclosure. Fixtures with multiple drivers are not connected internally.

**REMOTE Driver** (optional) requires a remote driver with enclosure. 1 or 2 drivers per fixture are required based upon Wattage and Length. **Note: (1) Driver per enclosure.**

Fixtures are provided with low voltage plenum rated 18/2 cable for field connection (by others) to Remote Driver. Remote Driver can be mounted anywhere within 15".

**Short Runs:** multiple short fixture lengths can be wired (daisy chained) to a single Remote Driver. Cumulative Fixture lengths must equal the MIN Length per Driver criteria and be dividable by 6". (see Table 2 page X). We suggest limiting number of short runs to 3 per remote driver.

*Consult factory for additional remote driver requirements not shown*

**Emergency circuit** via remote inverter or auxiliary emergency power supply (by others).

**This product complies with IEEE C62.41 for surge endurance up to 2.5KV. Amerlux<sup>®</sup> recommends using additional surge protection with this unit (supplied by others), surge and over voltage damage is not covered under warranty.**

#### Drivers

**O-10V** - 1% electronic dimming, multi-volt (120V-277V) constant current driver (standard). Cap leads for non-dim applications.

#### Optional Drivers:

**HILUME-A-LTE** - Lutron "A" Series, 1% dim, 2-wire, 120V only

**HILUME-H-ECO** - Lutron "H" Series, 1% dim, fade to off, EcoSystem

**HILUME-5-ECO** - Lutron "5" Series, EcoSystem

**DALI** - DALI Dimming 120V-277V, 0.1% dim

**Note: Driver is accessible by removing snap-in reflector assembly.**

#### Finish

Powder coat paint, baked on finish for maximum durability and color stability.

**HW** - High reflectance matte white.

**BT** - Black Texture (frame)

**ST** - Silver Texture (frame)

**Please note: Reflector will be painted HW (high reflectance white, for predictable performance. Exposed flange frame may be painted BT or ST).**

#### Configurations/Lengths

Straight lengths only.

**IND** - Individual fixtures are made of single standard lengths of 18" to 8' (in 6" increments). These are stand alone fixtures. Lengths less than 4' may have restrictions based upon wattage, lengths, drivers or other options.

**CON** - Continuous runs > than 8', specified to nearest 6" increments. Each Housing/mud-in frame has factory installed alignment pins. Mating frames are easily aligned and joined with "catch and latch" mechanisms. Wiring is made fast and positive with molded quick connectors.

#### Mounting

**FINO-HC-A16** - Gypsum board mud-in only.

**FINO-HC-REMOTE-A16** - Gypsum board mud-in with remote driver enclosure.

**FINO-HC-FLG-A16** - Exposed flanged for gypsum board or millwork.

**FINO-HC-FLG-REMOTE-A16** - Exposed flanged for gypsum board or millwork with remote driver enclosure.

#### Certifications

Approved to UL standards for damp locations as tested by CSA. Intended for indoor use only  
IC rated

#### Warranty

Amerlux's 5 year limited warranty. Please consult Amerlux website for details.

# Fino<sup>®</sup> Healthcare

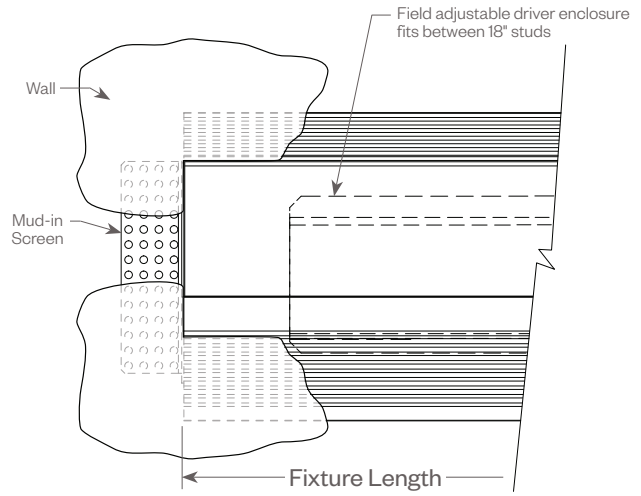
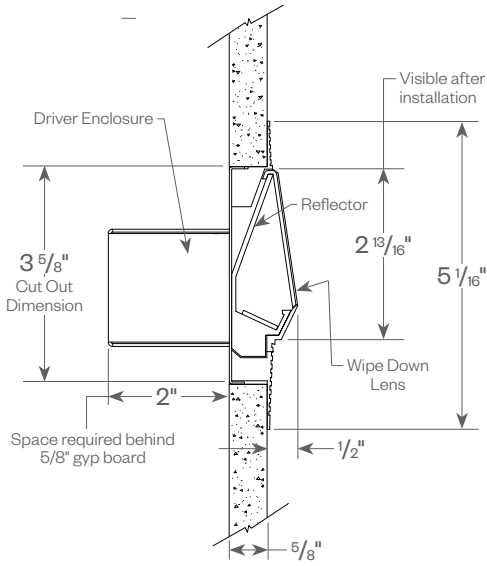
Asymmetric Wall Mount Indirect



**PROJECT:**

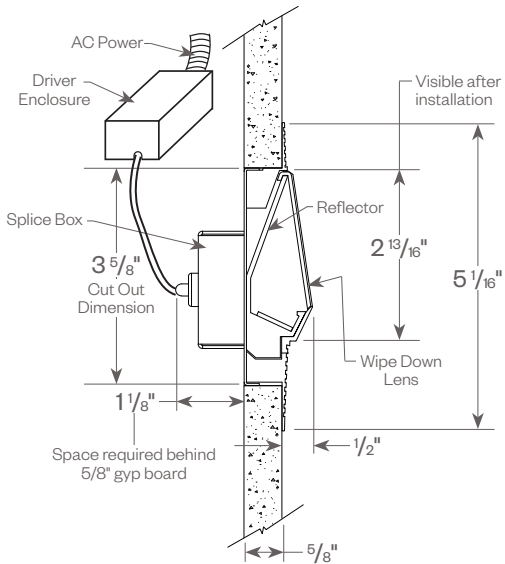
**TYPE:**

## FINO-HC-A16 (FINO HEALTHCARE)

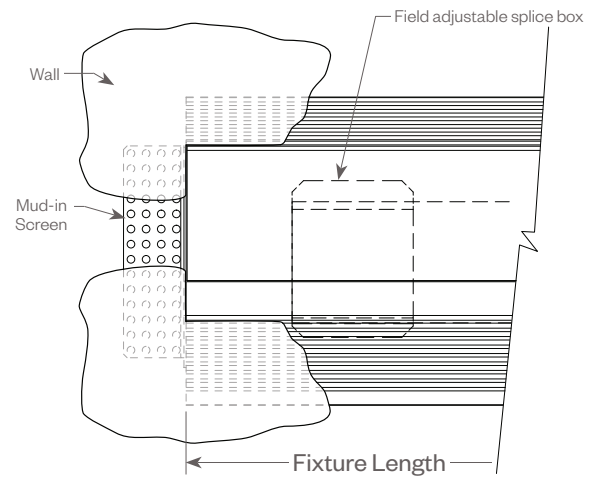


**Cut Out Dimensions:**  
 IND: 3 5/8" x fixture length + 1/16"  
 CON: 3 5/8" x fixture length + 1"

## FINO-HC-REMOTE-A16 (FINO HEALTHCARE with REMOTE DRIVER)

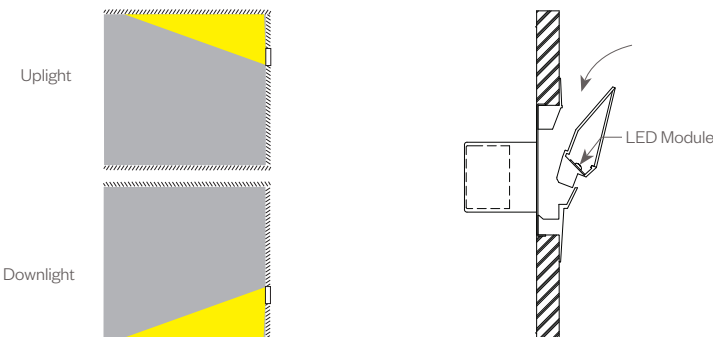


**Note:** Remote driver can be installed up to 15' max. from fixture.



**Cut Out Dimensions:**  
 IND: 3 5/8" x fixture length + 1/16"  
 CON: 3 5/8" x fixture length + 1"

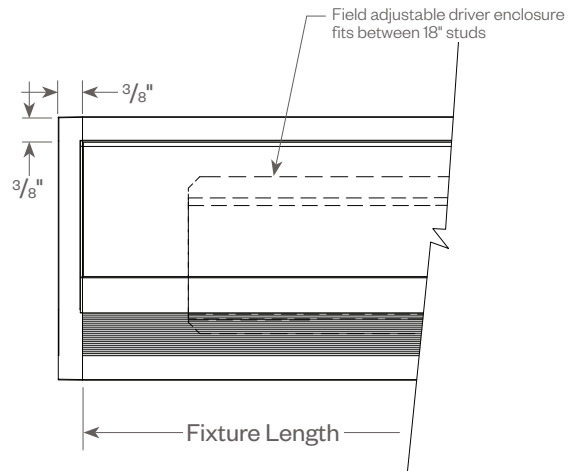
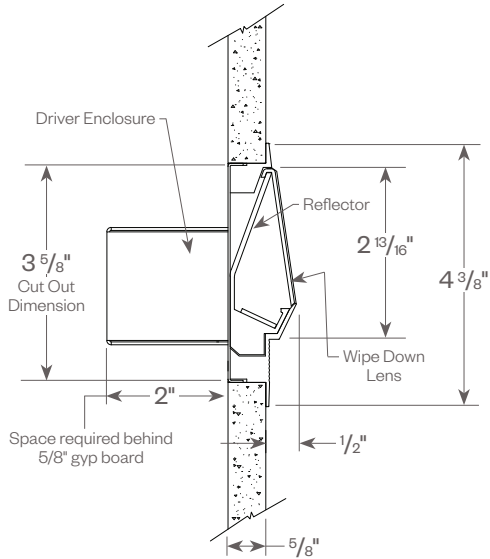
### Mount in wall any orientation



**PROJECT:**

**TYPE:**

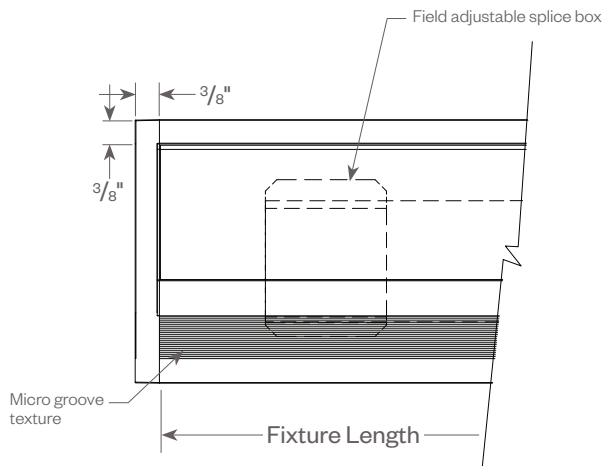
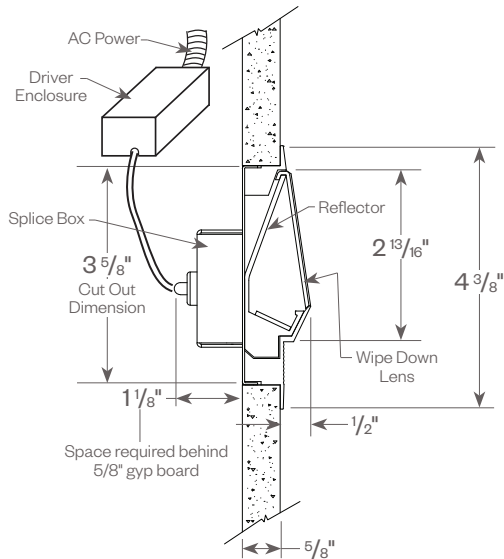
**FINO-HC-FLG (FINO HEALTHCARE FLANGE)**



**Cut Out Dimensions:**  
 IND: 3 5/8" x fixture length + 3/16"  
 CON: 3 5/8" x fixture length + 3/8"

**FINO-HC-FLG-REMOTE (FINO HEALTHCARE FLANGE with REMOTE DRIVER)**

**Note:** Remote driver can be installed up to 15' max. from fixture.



**Cut Out Dimensions:**  
 IND: 3 5/8" x fixture length + 3/16"  
 CON: 3 5/8" x fixture length + 3/8"

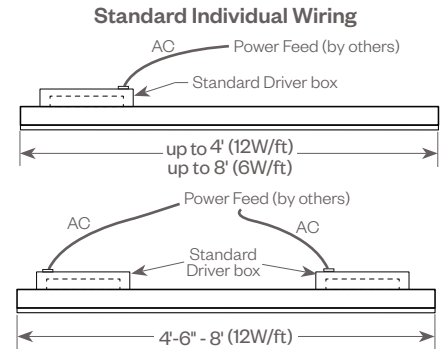
**PROJECT:**

**TYPE:**

**Integral Driver** (for every fixture section) located on the back of fixture is field adjusted for installation in between wall studs. 1 or 2 drivers per fixture required (see table 1). Line voltage Power Feed (by others) must be brought to each Driver enclosure.

Table 1

Driver	W/ft	Min. Length	Max. Driver	
			1	2
0-10V	6W	1'-6"	8'	x
	12W	1'-6"	4'	8'
Lutron	6W	2'-6"	8'	x
	12W	1'-6"	4'	8'
DALI	6W	1'-6"	8'	x
	12W	1'-6"	4'	8'

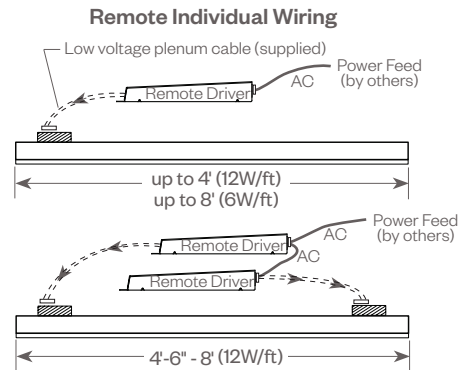


**Remote Driver** (for every fixture section, optional) requires an enclosure. 2 drivers per fixture may be required see Table 2. **Note: (1) Driver per enclosure.** Fixtures are provided with low voltage plenum rated 18/2 cable for field connection (by others). Remote driver max distances are listed on Table 2.

Table 2

Driver	W/ft	Min. Length	Max. Driver		Max. Remote
			1	2	Driver Distance
0-10V	6W	1'-6"	8'	x	15'
	12W	1'-6"	4'	8'	15'
Lutron	6W	2'-6"	8'	x	15'
	12W	1'-6"	4'	8'	15'
DALI	6W	1'-6"	8'	x	15'
	12W	1'-6"	4'	8'	15'

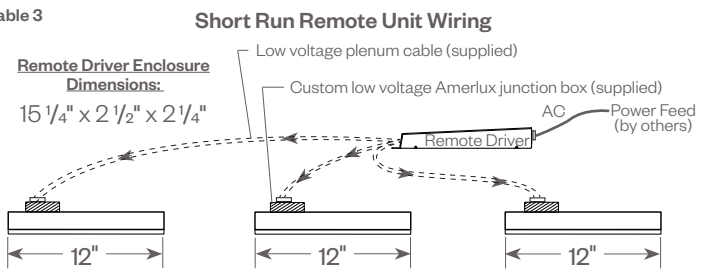
**Remote Driver Enclosure Dimensions:**  
15 1/4" x 2 1/2" x 2 1/4"



**Short Runs** (on one remote driver): multiple short fixture lengths can be wired (daisy chained) to a single Remote Driver. Cumulative fixture lengths must equal the MIN length per Driver criteria and be divisible by 6". (see Table 3)

Table 3

Driver	W/ft	Min. Length	# of Drivers	6" Section	12" Section
0-10V	6W	1'-6"	1	3	0
	12W	1'-6"	1	1	1
Lutron	6W	2'-6"	1	1	2
		1'-6"	1	3	0
		1'-6"	1	1	1
DALI	6W	2'-6"	1	1	2
		1'-6"	1	3	0
		1'-6"	1	1	1



**Note: Consult factory for additional remote driver requirements not show.**

# Fino<sup>®</sup> Healthcare

Asymmetric Wall Mount Indirect



**PROJECT:**

**TYPE:**

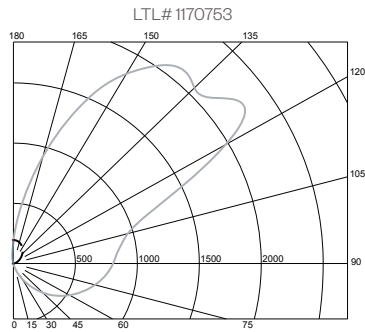
**FIXTURE DATA:** (Complete photometric data (.ies format) available upon request)

**MULTIPLYING FACTORS:** (Multiplying Factor is based on 3000K-83 120V IES file on website)

Wattage:	6W	12W	CCT:	2700K-83	3000K-83	3500K-83	4000K-83
Factor:	0.6	1.0	Factor:	0.93	1.0	1.08	1.15

**FINO HEALTHCARE 12W 3000K 4FT**

Total Watts: 48  
 Total Lumens: 4,113 (1028 Lm/ft)  
 Source: 112 White LED's



**ZONAL LUMEN SUMMARY**

Zone	Lumens	%Fixt
0-40	46	1.1
0-60	234	5.7
0-90	880	21.4
90-180	3233	78.6

**Efficacy = 79.5 Lumens /Watt**

**COEFFICIENTS OF UTILIZATION**

Effective Floor Cavity Reflectance 20%

RC	80			
RW	70	50	30	10
RCR				
0	4127	4127	4127	4127
1	3626	3399	3196	3013
2	3251	2898	2605	2359
3	2936	2505	2172	1907
4	2665	2188	1839	1572
5	2429	1926	1574	1315
6	2224	1709	1363	1115
7	2046	1528	1192	953
8	1888	1373	1049	827
9	1750	1242	931	721
10	1627	1129	830	632

Values expressed as Lumens delivered to the task surface.

**PROJECT:**

**TYPE:**

**DIMMING COMPATIBILITY:**

Amerlux<sup>®</sup> Fino fixtures are compatible with all major dimming protocols prevalent in the United States. Please see below for general compatibilities and wiring diagrams. Amerlux recommends testing your unique dimming configuration as the exact full configuration (Dimmer, Fixture Quantity, Voltage, etc) may affect dimming performance.

**--- NOTE: INFORMATION BELOW IS FOR WIRED DIMMERS ONLY. FOR WIRELESS DIMMERS, CONSULT FACTORY ---**

**0-10V - DIMMING (Standard)**

Integrates into a variety of building management and daylighting controls

**Notes:**

- 120V or 277V\*
- Dims down to 1% light output
- Requires interface to turn off power to driver
- Consult Dimming manufacturer for installation instructions - DO NOT SHARE NEUTRALS!

**Compatible Dimmers<sup>†</sup>:**

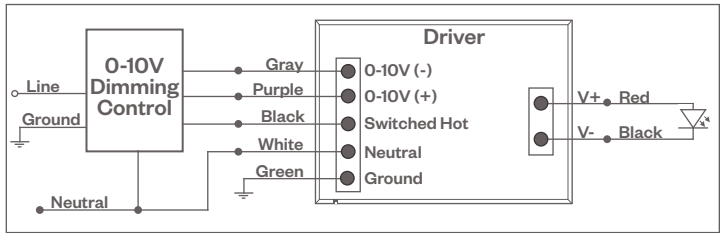
**Wall Box**

Lutron:	Wattstopper:	Leviton:
Diva - DVSTV	ADF-120277	Renoir II
Maestro - MS-Z101		
Nova-T - NTSTV-DV		

**Center System**

Lutron Grafikx Eye with GRX-TV1 Interface

**0-10V Wiring Diagram**



**LUTRON HI-LUME DIMMING**

Integrates into Lutron EcoSystem building management

**Notes:**

- 120V or 277V\*
- Dims down to less than 5% light output
- EcoSystem Control
- Consult Dimming manufacturer for installation instructions - DO NOT SHARE NEUTRALS!

**Compatible Dimmers<sup>†</sup>:**

**Wall Box**

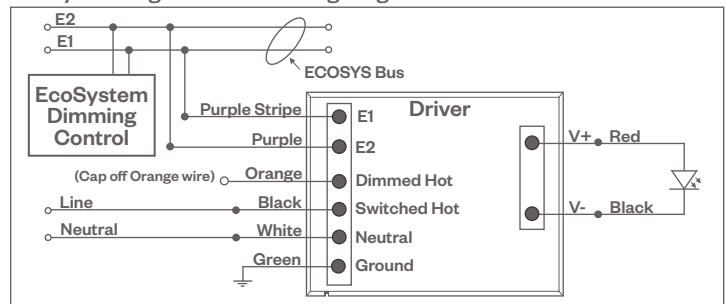
Lutron:
Diva
Maestro
Nova-T
Vareo

**Center System**

Lutron EcoSystem compatible controls

**HILUME-H-ECO, HILUME-5-ECO**

**EcoSystem Digital Control Wiring Diagram**



**Notes:**

\* Driver is 277V dimmable with appropriate dimmer (by others). All provided wiring diagrams show 120V wiring colors and method. Please refer to 277V dimmer installation instructions for 277V wiring diagrams.

† The absence of a dimmer from the lists above does not imply incompatibility. Please consult factory for compatibility inquiries.



**PROJECT:**

**TYPE:**

**DIMMING COMPATIBILITY:**

Amerlux<sup>®</sup> Fino fixtures are compatible with all major dimming protocols prevalent in the United States. Please see below for general compatibilities and wiring diagrams. Amerlux recommends testing your unique dimming configuration as the exact full configuration (Dimmer, Fixture Quantity, Voltage, etc) may affect dimming performance.

**--- NOTE: INFORMATION BELOW IS FOR WIRED DIMMERS ONLY. FOR WIRELESS DIMMERS, CONSULT FACTORY ---**

**LUTRON HILUME-A-LTE DIMMING**

Utilizes "Standard" incandescent dimmers that are in wide use in installations across the US. Best for retrofit applications where TRIAC dimmers are installed.

**Notes:**

- 120V only
- Dims down to less than 1% light output (most cases)
- Consult Dimming manufacturer for installation instructions - DO NOT SHARE NEUTRALS!
- Must meet dimmer Minimum Load Requirements per dimming manufacturer

**Compatible Dimmers<sup>†</sup>:**

**Wall Box** (Incandescent Style, Wattage as required)

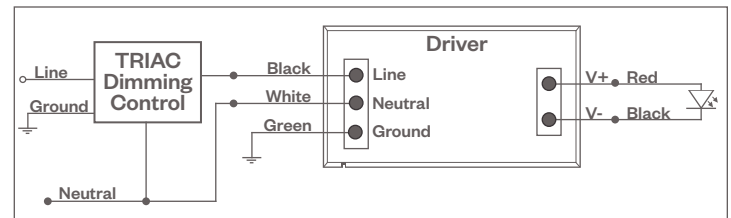
Lutron:

- Diva
- Maestro
- Nova-T
- Vareo
- Skylark

**Center System**

- Lutron "GP" Panel
- Lutron Grafik Eye QS

**Lutron HILUME-A-LTE Wiring Diagram**



**DALI - DALI DIMMING 120V-277V**

Digital control protocol allows individual fixture control

**Notes:**

- 120V - 277V\*
- Dims down to 0.1% light output in most cases

**Compatible Dimmers<sup>†</sup>:**

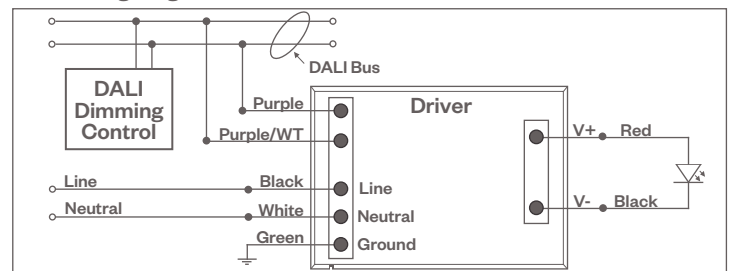
**Wall Box**

Leviton CD250 Controller

**Center System**

- Dynalite
- Fifth Light

**DALI Wiring Diagram**



**Notes:**

- \* Driver is 277V dimmable with appropriate dimmer (by others). All provided wiring diagrams show 120V wiring colors and method. Please refer to 277V dimmer installation instructions for 277V wiring diagrams.
- † The absence of a dimmer from the lists above does not imply incompatibility. Please consult factory for compatibility inquiries.