

Evoke[®] 2.9" HP

2.9" Round Lens Wall Wash



Lens Wall Wash

Features

Evoke 2.9 LED fixtures are now available with a higher performance LED module providing 11W, 18W or 20W of lighting power. Featuring the fit, finish and attention to detail of the existing Evoke[®] line, bringing true performance and control in a fixed downlight, adjustable, wall washer and pinhole. Everything you desire from a small aperture recessed downlight with lumen delivery, energy efficiency, dimming control and color consistency is now a reality in Evoke.

Product Overview

Type:	Recessed Round Wall Wash
Wattage:	11, 18, 20
Lumen Output:	1,033 max; 52.8 Lm/W
CBCP:	1,206 max
Color Temp:	2200K, 2700K, 3000K, 3500K, 4000K
CRI:	83 typ. (2700K, 3000K, 3500K, 4000K) 90+ typ. (2200K, 2700K, 3000K, 3500K, 4000K) CrispWhite (18W max) & 3K Class A available
Dimming:	TRIAC & ELV (120V/277V) - 5% Dim Lutron A Series (120V/277V), 3-wire/EcoSystem Hi-lume [®] - 1% dim Lutron H Series (120V/277V), EcoSystem, Hi-lume [®] - 1% dim with soft on, fade to black 0-10V (120V/277V) - 1% Dim DALI dimming - 1% Dim

PROJECT:

TYPE:



Lens Wall Wash Trimless

Fixture Type

Round/Square	New Construction	Trim	Trimless
Yes	Yes	Yes	Yes

See separate spec for Square trim fixture

Performance Chart

Watts	Delivered Lumens	LPW	CBCP	Color Temp
11	568	51.7	663	3000K-83
18*	930	51.7	1,085	3000K-83
20*	1,033	52.8	1,206	3000K-83

Data is based on 3000K-83 IES files available on website

*2W thermal protector included on 18W & 20W

Electrical Data

	11W		18W*		20W*	
	System Watts	Amps	System Watts	Amps	System Watts	Amps
120V	11	0.09	18	0.15	20	0.17
277V	11	0.04	18	0.06	20	0.07

Electronic constant current LED driver

*2W thermal protector included on 18W & 20W



Evolve[®] 2.9" HP

2.9" Round Lens Wall Wash



PROJECT:

TYPE:

Housing/Frame Ordering Information

1	2	3	4	5	6	7
1 <u>Model</u> For New Construction E2.9RLW-HP-NC-A17[†] (New Constuction) E2.9RLW-HP-CP-A17[†] (Chicago Plenum (CCEA) housing) E2.9RLW-HP-IC-A17[†] (Insulated Ceiling/air tight, 11W only)	2 <u>Style</u> T - trimmed TL - trimless (not available for use with Grid ceiling)	3 <u>Wattage</u> 11 18 (not available for use with IC housing) 20 (not available for use with IC housing)	4 <u>Voltage</u> 120 277 120/277 (for use with IC housing only)	5 <u>Ceiling Mounting</u> GB - gyb board, 5/8" deep collar GRID - grid, 1" deep collar (not available for use with trimless option) <i>For other ceiling type, consult factory</i>	6 <u>Color Temp</u> 83 CRI 90+ CRI 27 - 2700K-83 229 - 2200K-90+ CRISP - CrispWhite 30 - 3000K-83 279 - 2700K-90+ (18W max) 35 - 3500K-83 309 - 3000K-90+ 3CLA - 3K Class A 40 - 4000K-83 359 - 3500K-90+ 409 - 4000K-90+	7 <u>Driver</u> (for non-dimming, select LE/TE option) LE/TE - TRIAC/ELV dimming HILUME-A - Lutron Hi-lume [®] A Series, 3-wire/EcoSystem, Hi-lume [®] , 1% dim HILUME-H - Lutron Hi-lume [®] H Series, EcoSystem Hi-lume [®] , 1% dim with soft on, fade to black 0-10V - 0-10V dimming; 1% dim DALI - DALI dimming; 1% dim

Trim Ordering Information

E2.9RLW-HP-A17

1	2	3
1 <u>Model</u> E2.9RLW-HP-A17[†]	2 <u>Style</u> T - trimmed TL - trimless (not available for use with Grid ceiling)	3 <u>Finish (Trimmed)</u> SDW - semi-diffuse, white flange SDC - semi-diffuse, clear flange* CLW - specular clear, white flange CLC - specular clear, clear flange* MWW - matte white, white flange *Note: On clear flange, trim finish matches cone finish *Note: On clear flange, trim finish matches cone finish <u>Finish (Trimless)</u> SD - semi-diffuse CL - specular clear

[†] The "A" refers to the sequential revision in a year and "XX" refers to the year of update. Updates coincide with improved performance while not changing the overall fixture aesthetic and are reflected in the published performance data. Please contact your Amerlux representative for explanations of changes.

Evoke[®] 2.9" HP

2.9" Round Lens Wall Wash



PROJECT:

TYPE:

Specifications

Application

Retail and commercial wall wash lighting

Housing Construction

20 ga. steel painted matte black
Formed aperture plate with 5/8" lip (GB-standard)
Cast aluminum plaster frame with perforated face (for trimless option)
Integral adjustable locking mounting bars
Thermally protected

Reflector Trim Construction

Spun aluminum reflector with bias cut
Variety of anodized aperture finishes in both white and clear flange
Steel mounting ring with torsion springs and spring steel mounting clips

Optical

Engineered diffuse linear spread lens etched on the interior side

LED

Color Temp Options:

2200K, 2700K, 3000K, 3500K, 4000K

CRI: 83 typ. (2700K, 3000K, 3500K, 4000K)

90+ typ. (2200K, 2700K, 3000K, 3500K, 4000K)

CrispWhite* LED available, 18W max

Class A** 3000K (high CRI, high gamut)

R9 Values: 11 (83 CRI), 55 (92 CRI)

Binning: 3 MacAdam (SDCM)

Life: 50,000+ hrs, > 70% of initial lumens at 50,000 hrs

**CrispWhite: CrispWhite Technology delivers the warmth of colors expected from a high 90 CRI solution but also creates the natural crisp white color that is pleasing to the eye. It creates the most impactful lighting ever available, by revealing the richest whites and vibrant colors that pop.*

***Class A LED: Class A LED's have a CRI > 80 and a GAI > 80. CRI defines color "Naturalness" and GAI defines color "Saturation." Both being high delivers rich colors and pure whites.*

Electrical

Wattage: 11, 18, 20

Electronic constant current LED driver, 120V or 277V input (voltage specific TP on 18W & 20W)

This product complies with IEEE C62.41 for surge endurance up to 2.5KV. Amerlux® recommends using additional surge protection with this unit (supplied by others), surge and over voltage damage is not covered under warranty.

Drivers

LE/TE - Leading Edge, TRIAC, forward phase/Trailing Edge, ELV, reverse phase (standard)

0-10V, Lutron and DALI systems also available

See pages 6-7 for more dimming information

Finish (Trim)

Wet paint

Mounting

For Trimmed fixture:

GRID: 1" deep aperture collar

GB (gyp board): 5/8" deep aperture collar

Extra thick ceiling ring available for ceilings over 1" thick, consult factory

Note: Not recommended for ceilings over 1" thick

For Trimless fixture:

For use in sheetrock ceilings, ceiling thickness 5/8"

Consult factory for other ceiling thicknesses or for use in millwork ceilings

Certifications

CSA damp as tested to UL 1598 standards

Damp location

IC/AT (insulated ceiling/air tight) rated, 11W only, optional

Warranty

5 year limited warranty

Evoke[®] 2.9" HP

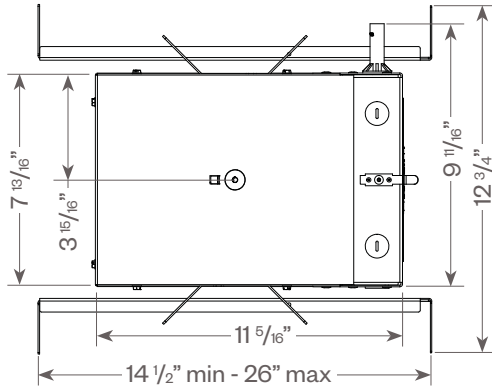
2.9" Round Lens Wall Wash



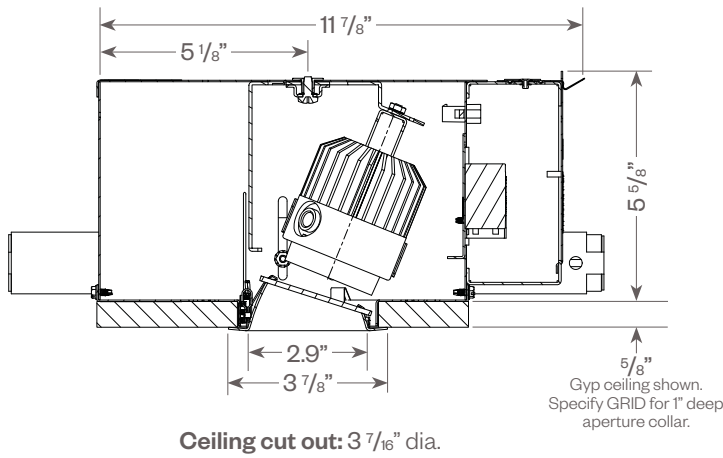
PROJECT:

TYPE:

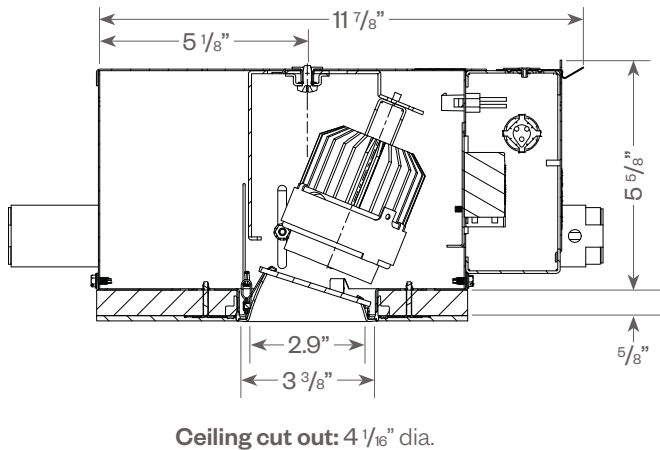
Evoke HP Round Lens Wall Wash:



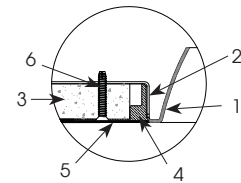
Trimmed



Trimless



Plaster Frame Installation Detail
(for trimless fixture only)



1. Reflector Trim
2. Aperture plate
3. Ceiling 5/8"
4. Cast Aluminum Plaster Frame
5. Plaster Skim Coat (by others)
6. 6-32 Type F Thread Cutting Screw

Evoke[®] 2.9" HP

2.9" Round Lens Wall Wash



PROJECT:

TYPE:

FIXTURE DATA: (Complete photometric data (.ies format) available upon request)

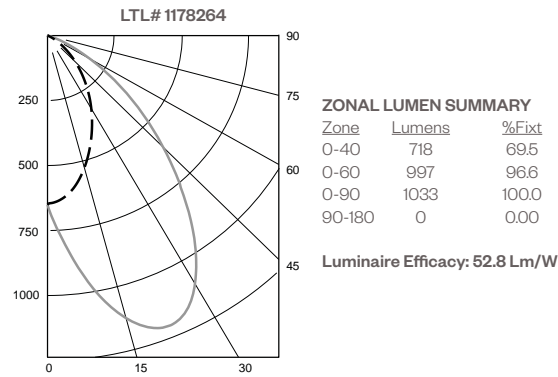
MULTIPLYING FACTORS: (Multiplying Factor is based on 3000K-83 120V IES file on website)

Wattage:	11W	18W	20W
Factor:	0.55	0.9	1.0

CCT:	2700K-83	3000K-83	3500K-83	4000K-83
Factor:	0.96	1.0	1.02	1.04

CCT:	2200K-90+	2700K-90+	3000K-90+	CRISP
Factor:	0.71	0.80	0.83	0.65

20W 3000K
Lumens: 1033



Application Data:

Footcandles on Wall

Footcandles are average and rounded off.
Data for multiple units are based on a minimum of five units.

1.5 Feet from Wall

		← 1.5' →	← 1.5' →	← 1.5' →	← 1.5' →			
Distance from ceiling	0.5'	14	11	12	16	12	11	15
	1.5'	118	121	124	134	124	121	118
	2.5'	91	103	109	115	109	104	92
	3.5'	53	65	69	73	70	65	54
	4.5'	33	39	44	45	44	40	33
	5.5'	22	26	28	29	28	26	22
	6.5'	15	18	20	20	20	18	15
	7.5'	11	13	14	15	14	13	12

1.5 Feet from Wall

		← 2' →	← 2' →	← 2' →	← 2' →					
Distance from ceiling	0.5'	14	7	15	7	15	7	14		
	1.5'	107	79	114	80	114	80	114	79	107
	2.5'	79	77	90	80	90	80	90	77	79
	3.5'	46	50	55	54	57	54	56	50	46
	4.5'	27	32	34	35	36	35	34	32	27
	5.5'	18	21	23	24	24	24	23	21	18
	6.5'	13	15	16	17	17	17	16	15	13
	7.5'	10	11	12	13	13	13	12	11	10

2 Feet from Wall

		← 2' →	← 2' →	← 2' →	← 2' →					
Distance from ceiling	0.5'	4	4	4	4	5	4	4	4	4
	1.5'	55	49	61	50	61	50	61	49	55
	2.5'	64	68	76	72	77	72	76	68	64
	3.5'	49	54	60	59	62	59	60	54	49
	4.5'	33	39	42	43	44	43	42	39	33
	5.5'	23	27	30	31	31	31	30	27	23
	6.5'	17	19	21	22	23	22	21	20	17
	7.5'	13	15	16	17	17	17	16	15	13

Evoke[®] 2.9" HP

2.9" Round Lens Wall Wash



PROJECT:

TYPE:

DIMMING COMPATIBILITY:

Amerlux[®] Evoke fixtures are compatible with all major dimming protocols prevalent in the United States. Please see below for general compatibilities and wiring diagrams. Amerlux recommends testing your unique dimming configuration as the exact full configuration (Dimmer, Fixture Quantity, Voltage, etc) may affect dimming performance.

--- NOTE: INFORMATION BELOW IS FOR WIRED DIMMERS ONLY. FOR WIRELESS DIMMERS, CONSULT FACTORY ---

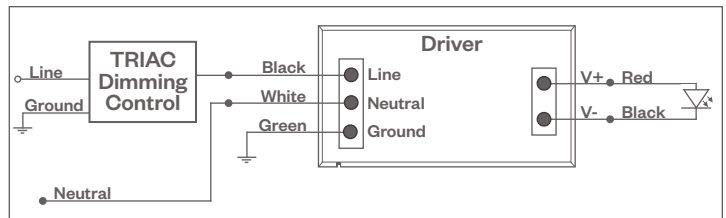
TRIAC (Forward Phase) DIMMING (Standard)

Utilizes "Standard" incandescent dimmers that are in wide use in installations across the US. Best for retrofit applications where TRIAC dimmers are installed.

Notes:

- 120V or 277V*
- Dims down to less than 5% light output (most cases)
- Consult Dimming manufacturer for installation instructions - DO NOT SHARE NEUTRALS!
- Must meet dimmer Minimum Load Requirements per dimming manufacturer

TRIAC Wiring Diagram



Compatible Dimmers

Wall Box (Incandescent Style, Wattage as required)

Lutron "Diva"	Lutron "Vareo"
Lutron "Nova-T"	Lutron "Skylark"
Lutron "Maestro"	

Central System

Lutron "GP" Panel
Lutron Grafik Eye QS

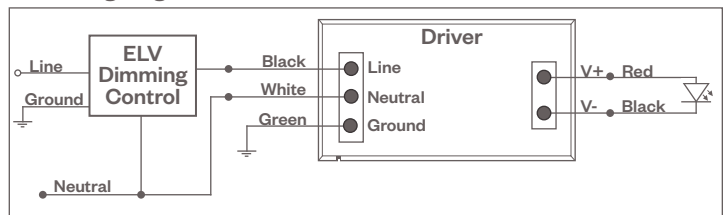
ELV - Electronic Low Voltage (Reverse Phase) DIMMING (Standard)

Utilizes specialized "ELV" dimmers. Best for New Construction applications

Notes:

- 120V or 277V*
- Dims down to less than 5% light output (most cases)
- Consult Dimming manufacturer for installation instructions - DO NOT SHARE NEUTRALS!
- Must meet dimmer Minimum Load Requirements

ELV Wiring Diagram



Compatible Dimmers

Wall Box (ELV Style)

Lutron "Diva"	Lutron "Vareo"
Lutron "Nova-T"	Lutron "Skylark"
Lutron "Maestro"	
Leviton "Surslide"	Leviton "Vizio"

Central System

Lutron "GP" Panel with PHPM-PA Interface
Lutron Grafik Eye QS with PHPM-PA Interface

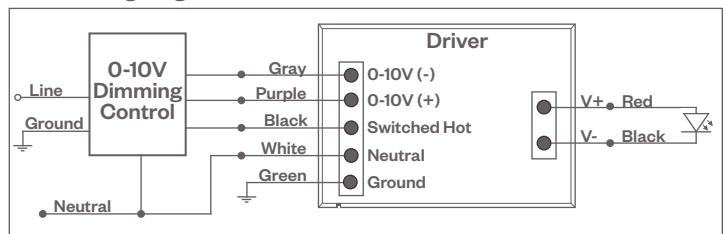
0-10V - DIMMING (-0-10V Option)

Integrates into a variety of building management and daylighting controls

Notes:

- 120V or 277V*
- Dims down to 1% light output
- Requires interface to turn off power to driver
- Consult Dimming manufacturer for installation instructions - DO NOT SHARE NEUTRALS!

0-10V Wiring Diagram



Compatible Dimmers

Wall Box

Lutron "Diva" - DVTV with PP-120H Interface	Leviton Renoir II 0-10V
---	-------------------------

Central System

Lutron Grafik Eye with GRX-TV1 Interface
--

Notes:

* Driver is 277V dimmable with appropriate dimmer (by others). All provided wiring diagrams show 120V wiring colors and method. Please refer to 277V dimming installation instructions for 277V wiring diagrams.

Evoke[®] 2.9" HP

2.9" Round Lens Wall Wash



PROJECT:

TYPE:

DIMMING COMPATIBILITY:

Amerlux[®] Evoke fixtures are compatible with all major dimming protocols prevalent in the United States. Please see below for general compatibilities and wiring diagrams. Amerlux recommends testing your unique dimming configuration as the exact full configuration (Dimmer, Fixture Quantity, Voltage, etc) may affect dimming performance.

--- NOTE: INFORMATION BELOW IS FOR WIRED DIMMERS ONLY. FOR WIRELESS DIMMERS, CONSULT FACTORY ---

LUTRON A-SERIES HI-LUME / ECOSYSTEM (-DIM-HILUME Option)

Integrates into Lutron EcoSystem building management

Notes:

- 120V or 277V*
- Dims down to less than 5% light output
- May use 3-Wire or EcoSystem Control
- Consult Dimming manufacturer for installation instructions - DO NOT SHARE NEUTRALS!

Compatible Dimmers

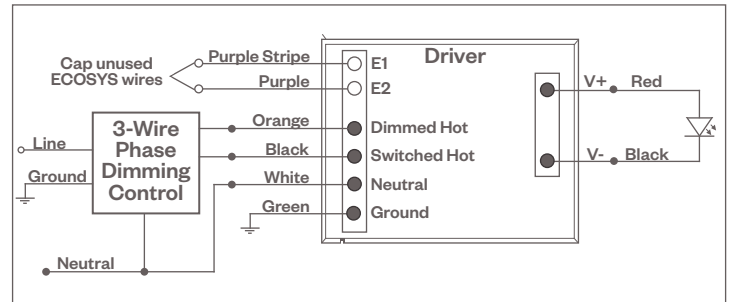
Wall Box (3-Wire Fluorescent)

- DIVA
- Maestro
- Nova T
- Vareo

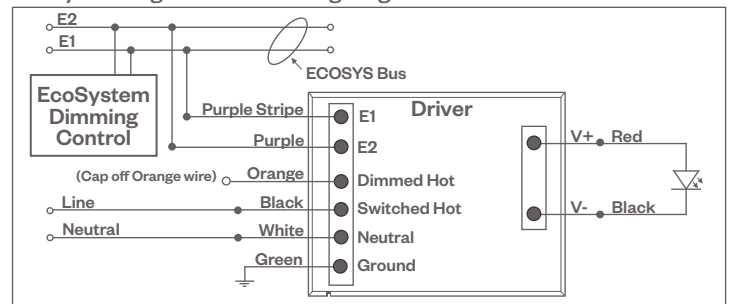
Central System

Lutron EcoSystem compatible controls

3-Wire Wiring Diagram



EcoSystem Digital Control Wiring Diagram



DALI DIMMING (-DALI OPTION)

Digital control protocol allows individual fixture control

Notes:

- 120V - 277V*
- Dims down to 1% light output in most cases

Compatible Dimmers

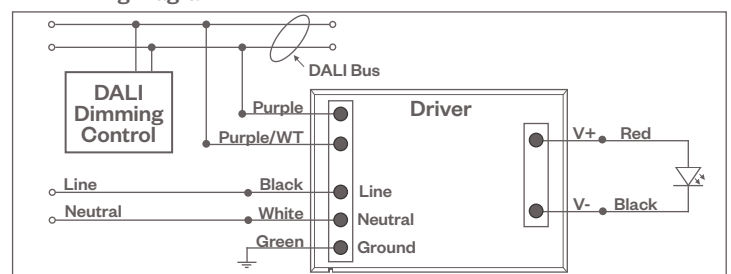
Wall Box (3-Wire Fluorescent)

Leviton CD250 Controller

Central System

- Dynalite
- Fifth Light

DALI Wiring Diagram



Notes:

* Driver is 277V dimmable with appropriate dimmer (by others). All provided wiring diagrams show 120V wiring colors and method. Please refer to 277V dimming installation instructions for 277V wiring diagrams.