

Rook® 350

3.5" Round Pendants



Pendant



Pendant w/Remote Driver

Features

High style, yet also versatile. Spare and modern, yet warm and welcoming. This striking Rook 350 re-imagines the Hornet HP Downlight line in a popular new pendant form. It's a fabulous solution for open ceilings, with the same aperture and drivers as Hornet HP Downlights—and yet its own distinctive style shines through. Rook 350 Pendant. Simply stunning.

Product Overview

Type:	Round Pendant
Wattage:	11, 16, 18 (RD version) or 14, 21 (RLD/RLW version)
Lumen Output:	1,323 lm (RD); 1,645 (RLD)
CBCP:	up to 12,508 (RD); 4,748 (RLD)
Color Temp:	2200K, 2700K, 3000K, 3500K, 4000K, CRISP
CRI:	83 typ. (2700K, 3000K, 3500K, 4000K) 90+ typ. (2200K, 2700K, 3000K, 3500K, 4000K)
	CrispWhite & Class A LED available
Dimming:	TRIAC & ELV (120V/277V) - 5% Dim Lutron Hi-lume® H Series/EcoSystem - 1% dim with soft on, fade to black, 120V/277V 0-10V (120V/277V) - 1% Dim

PROJECT:

TYPE:



Surface Mount



Conduit Surface Mount

Performance Chart

Watts	Delivered Lumens	LPW	CBCP	Color Temp
Rook 350 RD				
11	808	73.5	7,643	3000K-83
16	1,177	73.6	11,132	3000K-83
18	1,323	65.5	12,508	3000K-83
Rook 350 RLD				
14	1,102	78.7	3,181	3000K-83
21	1,645	72.2	4,748	3000K-83
Rook 350 RLW				
14	1,044	74.6	-	3000K-83
21	1,558	68.9	-	3000K-83

Data is based on 3000K-83 IES files available on website
See pages 6-8 for data on other beam spreads

Electrical Data

Rook 350 RD						
	11W		16W		18W	
	System Watts	Amps	System Watts	Amps	System Watts	Amps
120V	11	0.09	16	0.13	18	0.15
277V	11	0.04	16	0.06	18	0.06

Rook 350 RLD/RLW				
	14W		21W	
	System Watts	Amps	System Watts	Amps
120V	14	0.12	21	0.18
277V	14	0.05	21	0.08

Electronic constant current LED driver



Rook® 350

3.5" Round Pendants



PROJECT:

TYPE:

Ordering Information



1 Model
RK350RD
RK350RD-REMOTE (Remote Driver)
RK350RLD (Lensed)
RK350RLD-REMOTE (Lensed, Remote Driver)
RK350RLW (Lensed Wall Wash)
RK350RLW-REMOTE (Lensed Wall Wash, Remote Driver)

2 Wattage

RK350RD	<u>RK350RLD/RLW</u>
11	14
16	21
18°	

° Not available for use with CrispWhite color temp

3 Housing Finish
MW - matte white
MB - matte black
SLV - matte silver

4 Mounting (matches housing finish)
CC4 - canopy/cord, 4' nominal OAL
CC8 - canopy/cord, 8' nominal OAL
CC12 - canopy/cord, 12' nominal OAL
RS4 - rigid stem, 4' nominal OAL
RS8 - rigid stem, 8' nominal OAL
SS4^R - swivel stem, 4' nominal OAL
SS8^R - swivel stem, 8' nominal OAL
SM^R - surface mount
CDCC4 - conduit canopy/cord, 4' nominal OAL
CDCC8 - conduit canopy/cord, 8' nominal OAL
CDCC12 - conduit canopy/cord, 12' nominal OAL
CDRS4 - conduit rigid stem, 4' nominal OAL
CDRS8 - conduit rigid stem, 8' nominal OAL
CDSM^R - conduit surface mount

^R Not available for use with remote driver
 Consult factory for conduit mounting pricing
 Cord and Stem mounts are field cuttable
 For custom lengths, consult factory

5 Voltage
120-277

6 Trim Finish
MW - matte white
MB - matte black
SLV - matte silver

7 Beam Spreads (not applicable on RK350RLW)

RK350RD	RK350RLD
SP - spot, 15°	30SOL - 30° solite lens
NF - narrow flood, 20°	50SOL - 50° solite lens
MFL - medium flood, 24°	65SOL - 65° solite lens
FL - flood, 28°	75SAT - 75° satin ice lens
WF - wide flood, 45°	
VWF - very wide flood, 60°	
LS - linear spread, 60°x10°	

8 Color Temp

83 CRI	90+ CRI	
27 - 2700K-83	229 - 2200K-90+	CRISP[†] - CrispWhite
30 - 3000K-83	279 - 2700K-90+	3CLA - 3K Class A
35 - 3500K-83	309 - 3000K-90+	
40 - 4000K-83	359 - 3500K-90+	
	409 - 4000K-90+	

[†] Not available for 18W (RD model)

9 Driver
LE/TE - TRIAC/ELV dimming, 5% dim
0-10V - 0-10V dimming; 1% dim
HILUME-H-ECO - Lutron Hi-lume® H Series, EcoSystem, 1% dim with soft on, fade to black

Rook® 350

3.5" Round Pendants



PROJECT:

TYPE:

Specifications

Application

Retail and commercial ambient/task lighting

Construction

Extruded aluminum pendant housing
Die-cast trim
Extruded aluminum heat sink

Optical

RK350RD Beam Spreads:

Spot, 15°; Narrow Flood, 22°; Medium Flood, 25°; Flood, 28°;
Wide Flood, 45°; Very Wide Flood, 60°;
Linear Spread, 60° x 10°

RK350RLD Beam Spreads:

Satin Ice Lens for maximum source concealment and wide distribution with a visually "hotter" aperture. 75° beam spread.
Solite Lens for maximum efficacy and a visually quieter aperture. 30°, 50° & 65° beam spread options. Visually best with SLV reflector finish.

RK350RLW: Engineered nano technology lens provides high transmission while concealing LED image.

LED

Color Temp Options:

2200K, 2700K, 3000K, 3500K, 4000K
CRI: 83 typ. (2700K, 3000K, 3500K, 4000K)
90+ typ. (2200K, 2700K, 3000K, 3500K, 4000K)
CrispWhite* LED available (16W max RD version)
Class A** 3000K LED available

R9 Values: 11 (83 CRI), 55 (92 CRI)

Binning: 3 MacAdam (SDCM)

Life: 50,000+ hrs, > 70% of initial lumens at 50,000 hrs

**CrispWhite: CrispWhite Technology delivers the warmth of colors expected from a high 90 CRI solution but also creates the natural crisp white color that is pleasing to the eye. It creates the most impactful lighting ever available, by revealing the richest whites and vibrant colors that pop.*

***Class A LED: Class A LED's have a CRI > 80 and a GAI > 80. CRI defines color "Naturalness" and GAI defines color "Saturation." Both being high delivers rich colors and pure whites.*

Electrical

Wattage: 11, 16, 18 (RD version) or 14, 21 (RLD/RLW version)
Electronic constant current LED driver, 120V-277V input

This product complies with IEEE C62.41 for surge endurance up to 2.5KV. Amerlux® recommends using additional surge protection with this unit (supplied by others), surge and over voltage damage is not covered under warranty.

Drivers

LE/TE - Leading Edge, TRIAC, forward phase/Trailing Edge,
ELV, reverse phase

0-10V and Lutron also available

See pages 9-10 for more dimming information

Finish

Powder coat paint

Consult factory for custom finishes

Mounting

Canopy/cord, rigid stem, swivel stem (not available for use with remote driver) or surface mounting (not available for use with remote driver)

Conduit mounting also available (see pg4 for details).

Overall length (OAL) is field adjustable and factory set at ± 2" of nominal value.

Certifications

CSA tested to UL standards

Indoor use only

Damp location

Warranty

5 year limited warranty

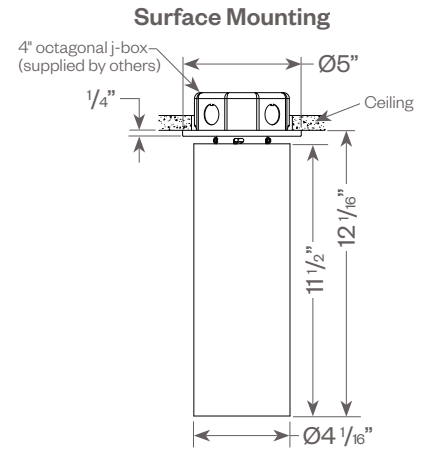
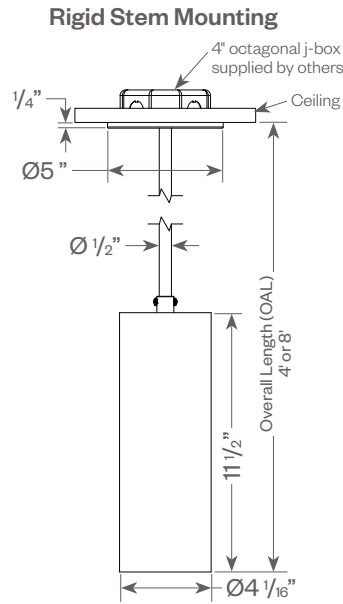
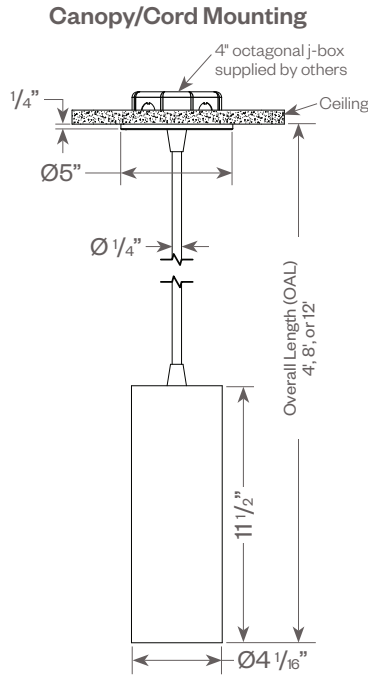
Rook® 350

3.5" Round Pendants

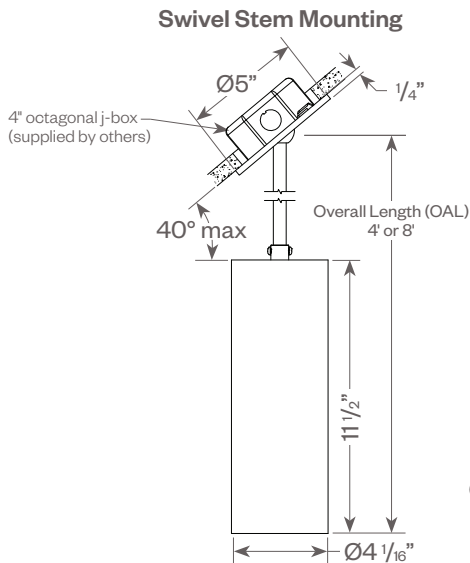
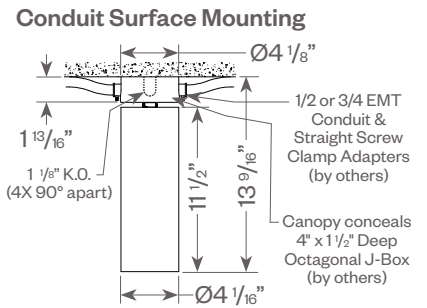
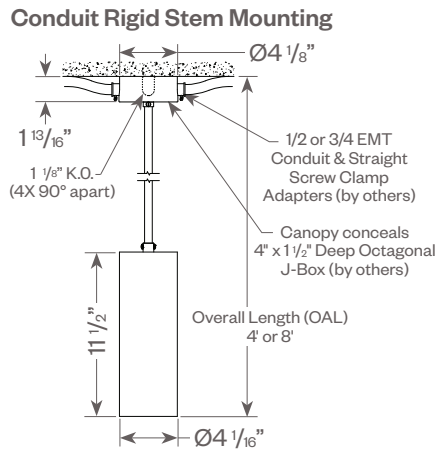
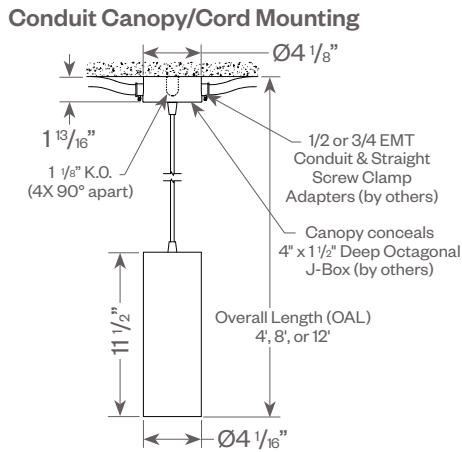


PROJECT:

TYPE:



Ceiling Cut Out: Ø4 1/4"



Ceiling Cut Out: Ø4 1/4"

Rook® 350

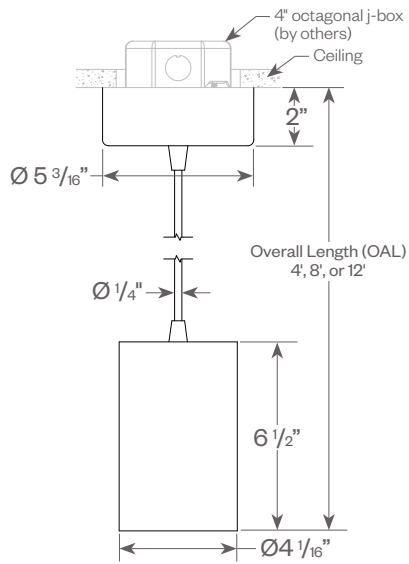
3.5" Round Pendants



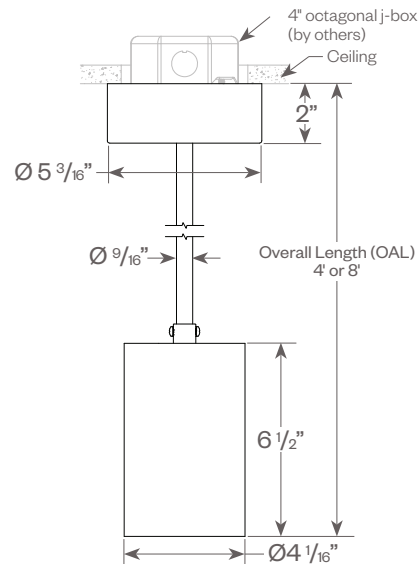
PROJECT:

TYPE:

Remote Driver Canopy/Cord Mounting

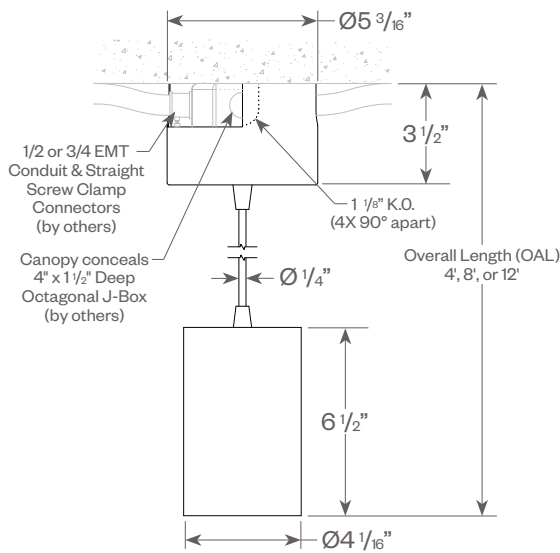


Remote Driver Rigid Stem Mounting

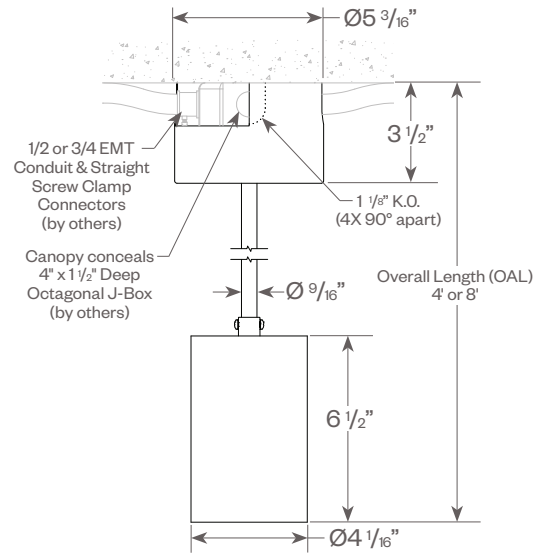


Ceiling Cut Out: $\text{Ø} 4 \frac{1}{4}$ "

Remote Driver Conduit Canopy/Cord Mounting



Remote Driver Conduit Rigid Stem Mounting



Rook® 350

3.5" Round Pendants



PROJECT:

TYPE:

RK350RD/RK350RD-REMOTE

FIXTURE DATA: (Complete photometric data (.ies format) available upon request)

MULTIPLYING FACTORS: (Multiplying Factor is based on 3000K-83 120V IES file on website)

Wattage:	11W	16W	18W
Factor:	0.61	0.89	1.0

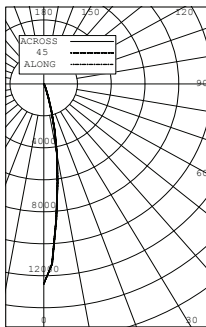
CCT:	2700K-83	3000K-83	3500K-83	4000K-83
Factor:	0.96	1.0	1.02	1.04

CCT:	2200K-90+	2700K-90+	3000K-90+	3500K-90+	4000K-90+	CRISP*	3CLA
Factor:	0.71	0.80	0.83	0.87	0.90	0.65	0.75

* Not available for use with 18W

18W LED, 3000K-83

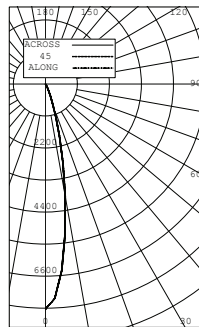
Spot (SP) Distribution, 15°
LTL #818231
Lumens: 1,323



Candelas at Nadir

Deg	Candela
0	12508
5	8495
15	1754
25	190
35	32
45	3

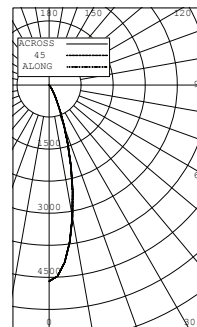
Narrow Flood (NF) Distribution, 22°
LTL #818232
Lumens: 1,236



Candelas at Nadir

Deg	Candela
0	7734
5	6428
15	1866
25	277
35	45
45	4

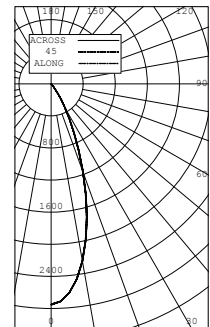
Flood (FL) Distribution, 28°
LTL # 818234
Lumens: 1,185



Candelas at Nadir

Deg	Candela
0	4591
5	4168
15	1966
25	470
35	72
45	4

Wide Flood (WF) Distribution, 45°
LTL # 818235
Lumens: 1,123

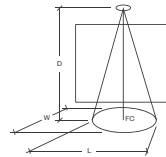


Candelas at Nadir

Deg	Candela
0	2751
5	2614
15	1719
25	676
35	141
45	7

Application Data:

	0° Aiming Angle Horizontal Footcandles			
	D	FC	L	W
Spot	5.0'	292	1.9	1.9
	7.5'	163	2.6	2.6
	10.0'	102	3.2	3.2
	12.5'	69	3.7	3.7
Narrow Flood	5.0'	231	2.1	2.1
	7.5'	120	2.9	2.9
	10.0'	71	3.7	3.7
	12.5'	47	4.6	4.6
Flood	5.0'	150	2.7	2.7
	7.5'	74	3.6	3.6
	10.0'	43	4.8	4.8
	12.5'	28	5.8	5.8
Wide Flood	5.0'	97	3.2	3.2
	7.5'	46	4.6	4.6
	10.0'	27	6.1	6.1
	12.5'	17	7.5	7.5



Notes and Definitions:

- Beam spread is to 50% center beam candlepower (CBCP).
- D=Distance to floor or wall.
- FC=Footcandles on floor or wall at center beam aiming location.
- L=Effective Visual Beam length in feet (50% of maximum footcandle level).
- W=Effective Visual Beam width in feet (50% of maximum footcandle level).
- CB=Distance across or down to center beam location.

Rook® 350

3.5" Round Pendants



PROJECT:

TYPE:

RK350RLD/RK350RLD-REMOTE

FIXTURE DATA: (Complete photometric data (.ies format) available upon request)

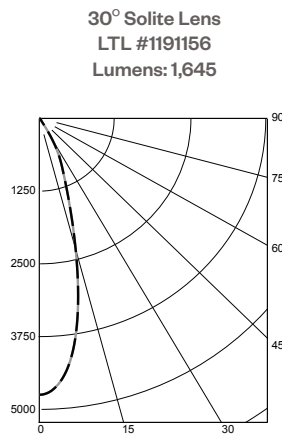
MULTIPLYING FACTORS: (Multiplying Factor is based on 3000K-83 120V IES file on website)

Wattage:	14W	21W
Factor:	0.67	1.0

CCT:	2700K-83	3000K-83	3500K-83	4000K-83
Factor:	0.96	1.0	1.02	1.04

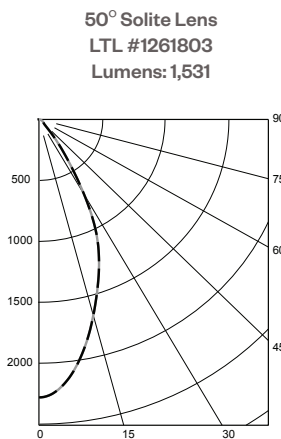
CCT:	2200K-90+	2700K-90+	3000K-90+	3500K-90+	4000K-90+	CRISP	3CLA
Factor:	0.71	0.80	0.83	0.87	0.90	0.65	0.75

21W LED, 3000K-83



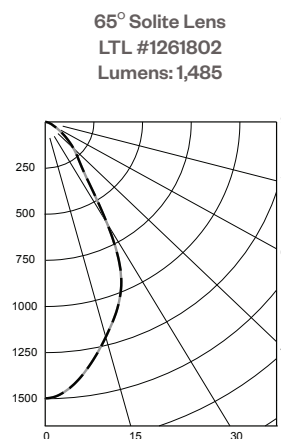
Candelas at Nadir

Deg	Candela
0	4748
5	4478
15	2354
25	877
35	126
45	42



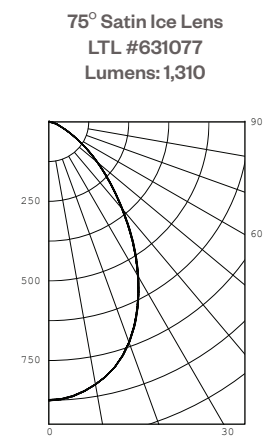
Candelas at Nadir

Deg	Candela
0	2281
5	2187
15	1654
25	1083
35	362
45	73



Candelas at Nadir

Deg	Candela
0	1497
5	1448
15	1210
25	934
35	383
45	213



Candelas at Nadir

Deg	Candela
0	875
5	866
15	797
25	653
35	455
45	271

Application Data:

Notes and Definitions:

Beam spread is to 50% center beam candlepower (CBOP).

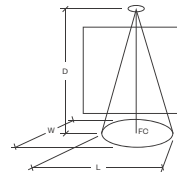
D=Distance to floor or wall.

FC=Footcandles on floor or wall at center beam aiming location.

L=Effective Visual Beam length in feet (50% of maximum footcandle level).

W=Effective Visual Beam width in feet (50% of maximum footcandle level).

CB=Distance across or down to center beam location.



30° Solite Lens
0° Aiming Angle
Horizontal Footcandles

D	FC	L	W
5.0'	190	2.7	2.7
7.5'	85	3.7	3.7
10.0'	48	5.1	5.1
12.5'	31	6.3	6.3

50° Solite Lens
0° Aiming Angle
Horizontal Footcandles

D	FC	L	W
5.0'	92	3.7	3.7
7.5'	41	5.5	5.5
10.0'	23	7.3	7.3
12.5'	15	9.2	9.2

65° Solite Lens
0° Aiming Angle
Horizontal Footcandles

D	FC	L	W
5.0'	60	4.4	4.4
7.5'	27	6.6	6.6
10.0'	15	8.9	8.9
12.5'	10	11.3	11.3

75° Satin Ice Lens
0° Aiming Angle
Horizontal Footcandles

D	FC	L	W
5.0'	36	5.1	5.1
7.5'	16	7.7	7.7
10.0'	9	10.3	10.3
12.5'	6	13.5	13.5

Rook® 350

3.5" Round Pendants



PROJECT:

TYPE:

RK350RLW/RK350RLW-REMOTE

FIXTURE DATA: (Complete photometric data (.ies format) available upon request)

MULTIPLYING FACTORS: (Multiplying Factor is based on 3000K-83 120V IES file on website)

Wattage:	14W	21W
Factor:	0.67	1.0

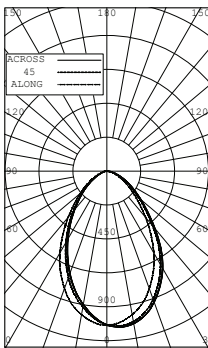
CCT:	2700K-83	3000K-83	3500K-83	4000K-83
Factor:	0.96	1.0	1.02	1.04

CCT:	2200K-90+	2700K-90+	3000K-90+	3500K-90+	4000K-90+	CRISP	3CLA
Factor:	0.71	0.80	0.83	0.87	0.90	0.65	0.75

21W 3000K-83

Lumens: 1558

LTL# 631078



ZONAL LUMEN SUMMARY

Zone	Lumens	%Fixt
0-30	683	43.85
0-40	1005	64.53
0-60	1411	90.60
0-90	1558	100.00
40-90	553	35.47
60-90	146	9.40
90-180	0	0.00
0-180	1558	100.00

Luminaire Efficacy: 68.9 Lm/W

Application Data:

Footcandles on Wall

Footcandles are average and rounded off.
Data for multiple units are based on a minimum of five units.

1.5 Feet from Wall

Distance from ceiling	← 1.5' → ← 1.5' →				
	0.5'	1.5'	2.5'	3.5'	4.5'
0.5'	48	50	50	50	48
1.5'	94	99	100	99	91
2.5'	88	94	95	94	88
3.5'	60	66	68	66	61
4.5'	40	44	46	45	41
5.5'	28	31	32	31	29
6.5'	21	23	23	23	21
7.5'	16	17	18	17	16

1.5 Feet from Wall

Distance from ceiling	← 2' → ← 2' →					
	0.5'	1.5'	2.5'	3.5'	4.5'	5.5'
0.5'	37	40	37	40	37	40
1.5'	72	77	75	78	74	77
2.5'	69	73	74	75	74	73
3.5'	48	52	54	54	54	49
4.5'	33	36	37	38	37	36
5.5'	23	26	27	27	27	26
6.5'	17	19	20	20	20	19
7.5'	14	15	16	16	16	15

2 Feet from Wall

Distance from ceiling	← 2' → ← 2' →					
	0.5'	1.5'	2.5'	3.5'	4.5'	5.5'
0.5'	21	23	22	23	23	22
1.5'	48	51	51	52	51	48
2.5'	56	59	61	61	61	56
3.5'	47	51	52	53	53	47
4.5'	36	39	41	41	41	36
5.5'	27	29	31	31	31	27
6.5'	21	22	24	24	24	21
7.5'	16	18	19	19	19	16

Rook® 350

3.5" Round Pendants



PROJECT:

TYPE:

DIMMING COMPATIBILITY:

Amerlux® Rook fixtures are compatible with all major dimming protocols prevalent in the United States. Please see below for general compatibilities and wiring diagrams. Amerlux recommends testing your unique dimming configuration as the exact full configuration (Dimmer, Fixture Quantity, Voltage, etc) may affect dimming performance.

--- NOTE: INFORMATION BELOW IS FOR WIRED DIMMERS ONLY. FOR WIRELESS DIMMERS, CONSULT FACTORY ---

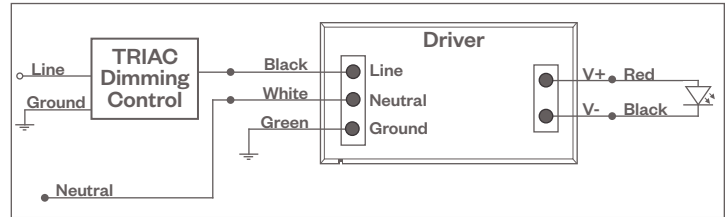
TRIAC (Forward Phase) DIMMING (Standard)

Utilizes "Standard" incandescent dimmers that are in wide use in installations across the US. Best for retrofit applications where TRIAC dimmers are installed.

Notes:

- 120V or 277V*
- Dims down to less than 5% light output (most cases)
- Consult Dimming manufacturer for installation instructions - DO NOT SHARE NEUTRALS!
- Must meet dimmer Minimum Load Requirements per dimming manufacturer

TRIAC Wiring Diagram



Compatible Dimmers†:

Wall Box (Incandescent Style, Wattage as required)		Central System
Lutron "Diva"	Lutron "Vareo"	Lutron "GP" Panel
Lutron "Nova-T"	Lutron "Skylark"	Lutron Grafik Eye QS
Lutron "Maestro"		

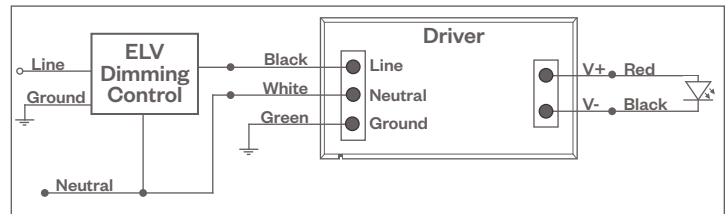
ELV - Electronic Low Voltage (Reverse Phase) DIMMING (Standard)

Utilizes specialized "ELV" dimmers.

Notes:

- 120V or 277V*
- Dims down to less than 5% light output (most cases)
- Consult Dimming manufacturer for installation instructions - DO NOT SHARE NEUTRALS!
- Must meet dimmer Minimum Load Requirements

ELV Wiring Diagram



Compatible Dimmers†:

Wall Box (ELV Style)		Central System
Lutron "Diva"	Leviton "Surslide"	Lutron "GP" Panel with PHPM-PA Interface
Lutron "Nova-T"	Leviton "Vizio"	Lutron Grafik Eye QS with PHPM-PA Interface
Lutron "Maestro"		
Lutron "Vareo"		
Lutron "Skylark"		

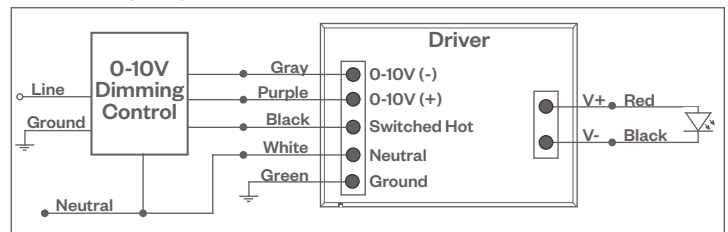
0-10V - DIMMING (-0-10V Option)

Integrates into a variety of building management and daylighting controls

Notes:

- 120V or 277V*
- Dims down to 1% light output
- Requires interface to turn off power to driver
- Consult Dimming manufacturer for installation instructions - DO NOT SHARE NEUTRALS!

0-10V Wiring Diagram



Compatible Dimmers†:

Wall Box	Central System
Lutron "Diva" - DVTV with PP-120H Interface	Leviton Renoir II 0-10V
	Lutron Grafik Eye with GRX-TVI Interface

Notes:

- * Driver is 277V dimmable with appropriate dimmer (by others). All provided wiring diagrams show 120V wiring colors and method. Please refer to 277V dimmer installation instructions for 277V wiring diagrams.
- † The absence of a dimmer from the lists above does not imply incompatibility. Please consult factory for compatibility inquiries.

Rook® 350

3.5" Round Pendants



PROJECT:

TYPE:

DIMMING COMPATIBILITY:

Amerlux® Rook fixtures are compatible with all major dimming protocols prevalent in the United States. Please see below for general compatibilities and wiring diagrams. Amerlux recommends testing your unique dimming configuration as the exact full configuration (Dimmer, Fixture Quantity, Voltage, etc) may affect dimming performance.

--- NOTE: INFORMATION BELOW IS FOR WIRED DIMMERS ONLY. FOR WIRELESS DIMMERS, CONSULT FACTORY ---

LUTRON H-SERIES / ECOSYSTEM (-HILUME-H-ECO Option)

Integrates into Lutron EcoSystem building management

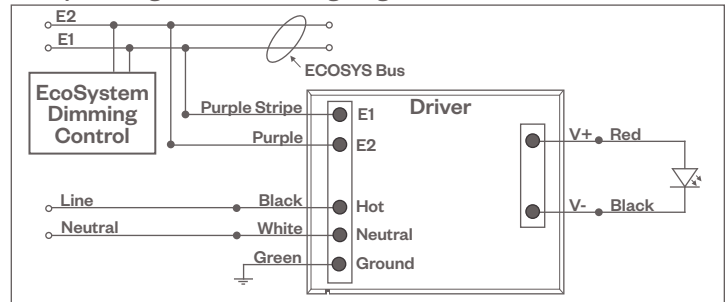
Notes:

- 120V or 277V*
- Dims down to less than 5% light output
- EcoSystem Control
- Consult Dimming manufacturer for installation instructions - DO NOT SHARE NEUTRALS!

Compatible Dimmers†:

Wall Box	Central System
Lutron "Diva"	Lutron EcoSystem compatible controls
Lutron "Nova-T"	
Lutron "Maestro"	
Lutron "Vareo"	

**HILUME-H-ECO, HILUME-5-ECO
EcoSystem Digital Control Wiring Diagram**



Notes:

- * Driver is 277V dimmable with appropriate dimmer (by others). All provided wiring diagrams show 120V wiring colors and method. Please refer to 277V dimmer installation instructions for 277V wiring diagrams.
- † The absence of a dimmer from the lists above does not imply incompatibility. Please consult factory for compatibility inquiries.