

# Mini Cavaletto®

## Recessed Adjustable Wall Wash Wash



### Features

The Mini Cavaletto LED is a compact, recessed adjustable wall wash luminaire for commercial and retail environments. The high-performance optical head with various wattage options can be flush with the ceiling line to provide general illumination or pulled down (up to a 45-degree tilt) for wall washing or menu board lighting. Spaced up to 8' on center, the Mini Cavaletto LED produces an even gradient of light for any vertical surface.

### Product Overview

Type:	Recessed Adjustable Wall Wash
Wattage:	25, 34, 42, 51
Lumen Output:	3,714 max; 73.3 Lm/W (51W)
CBCP:	2,072 max
Color Temp:	2700K, 3000K, 3500K, 4000K, CRISP
GRI:	83 typ. (2700K, 3000K, 3500K, 4000K) 90+ typ. (2700K, 3000K)
Dimming:	CrispWhite & Class A LEDs available TRIAC & ELV (120V/277V) - 5% Dim 0-10V (120V/277V) - 1% Dim (42W max)



PROJECT:

TYPE:

### Performance Chart

Watts	Delivered Lumens	LPW	CBCP	Color Temp
25	1820	72.8	1,015	3000K-83
34	2,488	73.2	1,388	3000K-83
42	3,444	81	1,873	3000K-83
51	3,714	73.3	2,072	3000K-83

Data is based on 51W 3000K-83 IES files available on website

### Electrical Data

	25W		34W		42W		51W	
	System Watts	Amps	System Watts	Amps	System Watts	Amps	System Watts	Amps
120V	25	0.21	34	0.28	42	0.35	51	0.43
277V	25	0.09	34	0.12	42	0.15	51	0.18

Electronic constant current LED driver



# Mini Cavaletto®

Recessed Adjustable Wall Wash



## PROJECT:

## TYPE:

### Housing/Frame Ordering Information

MCAV-FRAME-A17

1

2

3

4

**1** Model  
MCAV-FRAME-A17†

**2** Wattage  
25  
34  
42  
51

**3** Voltage  
120  
277

**4** Driver (for non-dimming, select LE/TE option)  
LE/TE - TRIAC/ELV dimming  
0-10V - 0-10V dimming; 1% dim (42W max)

### Trim Ordering Information

MCAV-A17

1

2

3

4

**1** Model  
MCAV-A17†

**2** Finish  
WT - white texture

**3** Beam Spread  
WW - wall wash

**4** Color Temp  
83 CRI                      90+ CRI  
27 - 2700K-83    279 - 2700K-90+    CRISP - Crisp White  
30 - 3000K-83    309 - 3000K-90+    3CLA - 3K Class A  
35 - 3500K-83  
40 - 4000K-83

† The "A" refers to the sequential revision in a year and "XX" refers to the year of update. Updates coincide with improved performance while not changing the overall fixture aesthetic and are reflected in the published performance data. Please contact your Amerlux representative for explanations of changes.

# Mini Cavaletto®

Recessed Adjustable Wall Wash



## PROJECT:

## TYPE:

### Specifications

#### Application

Retail and commercial wall wash lighting

#### Construction

Extruded aluminum heatsink  
Formed steel trim and upper housing  
Thermally protected  
Integral Visor (standard)

#### Optical

Wall wash beam distribution  
0-55° tilt

#### LED

**Color Temp Options:**  
2700K, 3000K, 3500K, 4000K  
**CRI:** 83 typ. (2700K, 3000K, 3500K, 4000K)  
90+ typ. (2700K, 3000K)  
CrispWhite\* LED available  
Class A\*\* 3000K (high CRI, high gamut)  
**R9 Values:** 11 (83 CRI), 55 (92 CRI)  
**Binning:** 3 MacAdam (SDCM)  
**Life:** 50,000+ hrs, > 70% of initial lumens at 50,000 hrs

*\*CrispWhite: CrispWhite Technology delivers the warmth of colors expected from a high 90 CRI solution but also creates the natural crisp white color that is pleasing to the eye. It creates the most impactful lighting ever available, by revealing the richest whites and vibrant colors that pop.*

*\*\*Class A LED: Class A LED's have a CRI > 80 and a GAI > 80. CRI defines color "Naturalness" and GAI defines color "Saturation." Both being high delivers rich colors and pure whites.*

#### Electrical

**Wattage:** 25, 34, 42, 51  
Electronic constant current LED driver, 120V or 277V input  
**This product complies with IEEE C62.41 for surge endurance up to 2.5KV. Amerlux® recommends using additional surge protection with this unit (supplied by others), surge and over voltage damage is not covered under warranty.**

#### Drivers

LE/TE - Leading Edge, TRIAC, forward phase/Trailing Edge, ELV, reverse phase (standard)  
0-10V dimming (42W max) also available  
*See page 6 for more driver information*

#### Finish

Powder coat paint

#### Mounting

For use in T-grid or sheetrock ceilings  
Housing can be adjusted to accommodate a 2" ceiling max  
Adjustable hanger bars included (14 1/2" - 25" std.)  
(32"-48" Adjustable hanger bars available, consult factory)

#### Certifications

CSA damp location approved to UL standards  
For indoor use only

#### Warranty

5 year limited warranty

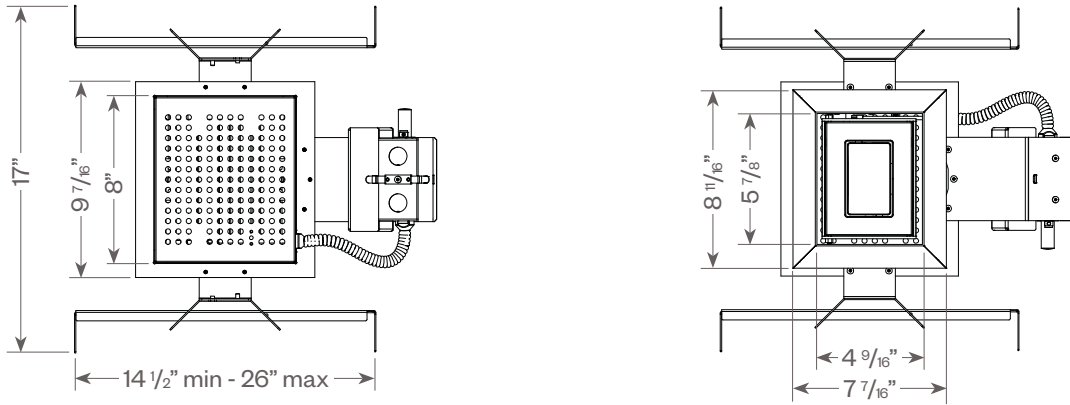
# Mini Cavaletto®

Recessed Adjustable Wall Wash

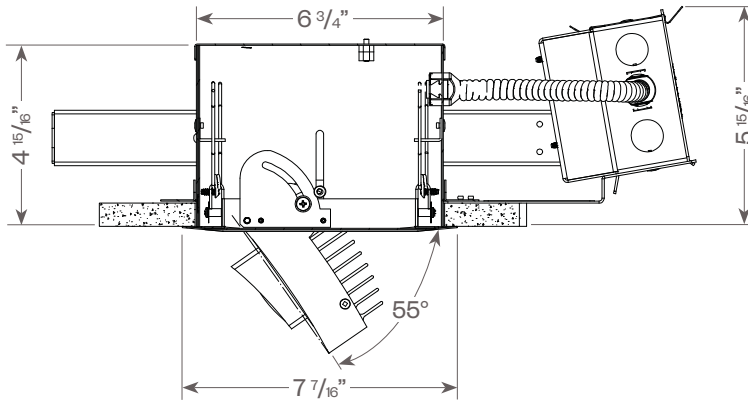


PROJECT:

TYPE:



Ceiling cut out: 6 3/4" x 8"



# Mini Cavaletto®

Recessed Adjustable Wall Wash



**PROJECT:**

**TYPE:**

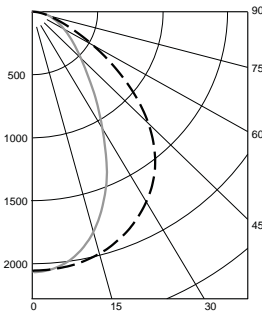
**FIXTURE DATA:** (Complete photometric data (.ies format) available upon request)

**MULTIPLYING FACTORS:** (Multiplying Factor is based on 3000K-83 120V IES file on website)

Wattage:	25W	34W	42W	51W
Factor:	0.49	0.67	0.82	1.0

CCT:	2700K-83	3000K-83	3500K-83	4000K-83	2700K-90+	3000K-90+	CRISP	3CLA
Factor:	0.96	1.0	1.02	1.04	0.80	0.83	0.65	0.75

**51W LED (3000K-83)**  
**LTL #1124974**  
**Lumens: 3714**



**ZONAL LUMEN SUMMARY**

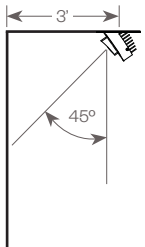
Zone	Lumens	%Fixt
0-40	2225	59.9
0-60	3288	88.5
0-90	3709	99.9
90-180	4	0.01

**Luminaire Efficacy: 73.3 Lm/W**

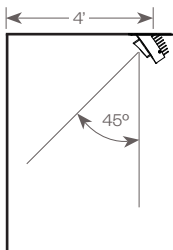
**Application Data:**

**Footcandles on Wall**

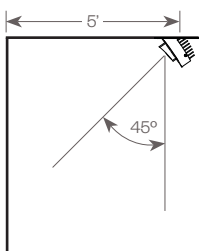
Footcandles are average and rounded off.  
 Data for multiple units are based on a minimum of five units.



Distance from ceiling	6'										6'									
	0.5'	1.5'	2.5'	3.5'	4.5'	5.5'	6.5'	7.5'	8.5'	0.5'	1.5'	2.5'	3.5'	4.5'	5.5'	6.5'	7.5'	8.5'		
0.5'	95	98	76	57	56	73	96	98	76	57	56	73	96	98	76	57	56	73	96	98
1.5'	133	135	107	82	81	103	133	135	107	82	81	103	133	135	107	82	81	103	133	135
2.5'	108	109	95	81	80	93	109	109	95	81	80	93	109	109	95	81	80	93	108	109
3.5'	74	75	70	64	64	69	74	75	70	64	64	69	74	75	70	64	64	69	74	75
4.5'	50	50	48	48	47	49	50	50	49	48	47	48	50	50	49	48	47	48	50	50
5.5'	35	36	35	34	34	35	36	36	35	35	34	35	36	36	35	35	34	35	36	35
6.5'	26	26	26	26	26	26	26	26	26	26	26	26	26	26	26	26	26	26	26	26
7.5'	19	19	20	20	20	20	20	20	20	20	20	20	20	20	20	20	20	20	20	19
8.5'	15	15	16	16	16	16	16	16	16	16	16	16	16	16	16	16	16	16	15	15



Distance from ceiling	8'										8'									
	0.5'	1.5'	2.5'	3.5'	4.5'	5.5'	6.5'	7.5'	8.5'	0.5'	1.5'	2.5'	3.5'	4.5'	5.5'	6.5'	7.5'	8.5'		
0.5'	52	52	44	35	30	30	35	44	52	52	44	35	30	30	35	44	52	52	44	35
1.5'	75	75	63	50	42	42	50	63	75	75	63	49	42	42	49	63	75	75	63	50
2.5'	75	75	66	55	47	47	55	66	75	75	66	55	47	47	54	66	75	75	66	55
3.5'	60	60	56	49	45	45	49	56	61	61	56	49	45	45	49	56	60	60	56	49
4.5'	45	45	43	40	38	38	40	43	45	45	43	40	38	38	40	43	45	45	43	40
5.5'	34	34	33	31	31	31	32	33	34	34	33	31	31	31	31	31	31	31	33	34
6.5'	26	26	25	25	25	25	25	26	26	26	26	25	25	25	25	25	25	25	26	26
7.5'	20	20	20	20	20	20	20	20	20	20	20	20	20	20	20	20	20	20	20	20
8.5'	16	16	16	16	16	16	16	16	16	16	16	16	16	16	16	16	16	16	16	16



Distance from ceiling	8'										8'									
	0.5'	1.5'	2.5'	3.5'	4.5'	5.5'	6.5'	7.5'	8.5'	0.5'	1.5'	2.5'	3.5'	4.5'	5.5'	6.5'	7.5'	8.5'		
0.5'	35	35	32	29	27	27	29	32	35	35	32	29	27	27	29	32	35	35	32	29
1.5'	49	49	45	40	36	36	40	45	49	49	45	40	36	36	40	45	49	49	45	40
2.5'	56	56	52	46	43	43	46	52	56	56	52	46	43	43	46	52	56	56	52	46
3.5'	52	52	49	46	44	44	46	49	52	52	49	46	44	44	46	49	52	52	49	46
4.5'	44	44	43	41	40	40	41	43	44	44	43	41	40	40	41	43	44	44	43	41
5.5'	36	36	35	35	34	34	35	36	36	36	36	35	34	34	35	36	36	36	35	34
6.5'	29	29	29	29	28	28	29	29	29	29	29	29	28	28	29	29	29	29	29	29
7.5'	23	23	24	24	23	23	24	24	24	24	24	24	23	23	24	24	24	24	23	23
8.5'	20	20	20	20	20	20	20	20	20	20	20	20	20	20	20	20	20	20	20	20

# Mini Cavaletto®

Recessed Adjustable Wall Wash



**PROJECT:**

**TYPE:**

**DIMMING COMPATIBILITY:**

Amerlux® Mini Cavaletto® fixtures are compatible with all major dimming protocols prevalent in the United States. Please see below for general compatibilities and wiring diagrams. Amerlux recommends testing your unique dimming configuration as the exact full configuration (Dimmer, Fixture Quantity, Voltage, etc) may affect dimming performance.

**--- NOTE: INFORMATION BELOW IS FOR WIRED DIMMERS ONLY. FOR WIRELESS DIMMERS, CONSULT FACTORY ---**

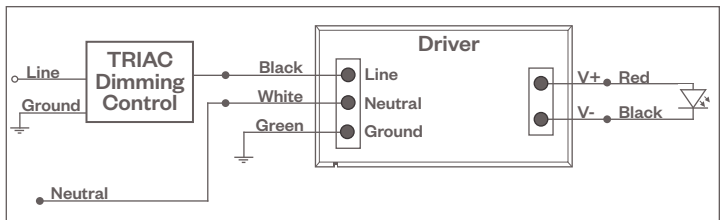
**TRIAC (Forward Phase) DIMMING (Standard)**

Utilizes “Standard” incandescent dimmers that are in wide use in installations across the US. Best for retrofit applications where TRIAC dimmers are installed.

**Notes:**

- 120V or 277V\*
- Dims down to less than 5% light output (most cases)
- Consult Dimming manufacturer for installation instructions - DO NOT SHARE NEUTRALS!
- Must meet dimmer Minimum Load Requirements per dimming manufacturer

**TRIAC Wiring Diagram**



**Compatible Dimmers**

**Wall Box (Incandescent Style, Wattage as required)**

Lutron “Diva”	Lutron “Vareo”
Lutron “Nova-T”	Lutron “Skylark”
Lutron “Maestro”	

**Central System**

Lutron “GP” Panel
Lutron Grafik Eye QS

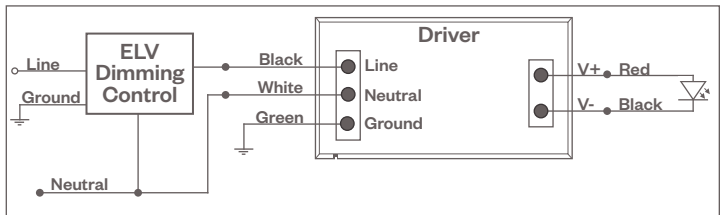
**ELV - Electronic Low Voltage (Reverse Phase) DIMMING (Standard)**

Utilizes specialized “ELV” dimmers. Best for New Construction applications

**Notes:**

- 120V or 277V\*
- Dims down to less than 5% light output (most cases)
- Consult Dimming manufacturer for installation instructions - DO NOT SHARE NEUTRALS!
- Must meet dimmer Minimum Load Requirements

**ELV Wiring Diagram**



**Compatible Dimmers**

**Wall Box (ELV Style)**

Lutron “Diva”	Lutron “Vareo”
Lutron “Nova-T”	Lutron “Skylark”
Lutron “Maestro”	
Leviton “Surslide”	Leviton “Vizio”

**Central System**

Lutron “GP” Panel with PHPM-PA Interface
Lutron Grafik Eye QS with PHPM-PA Interface

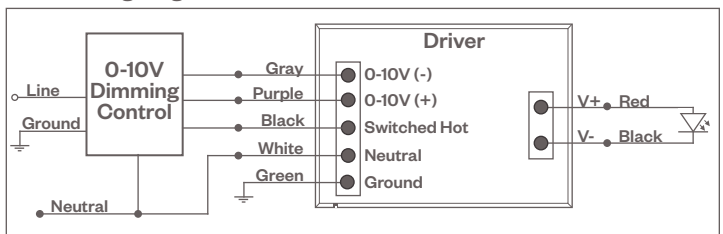
**0-10V - DIMMING (-0-10V Option)**

Integrates into a variety of building management and daylighting controls

**Notes:**

- 120V or 277V\*
- Dims down to 1% light output
- Requires interface to turn off power to driver
- Consult Dimming manufacturer for installation instructions - DO NOT SHARE NEUTRALS!

**0-10V Wiring Diagram**



**Compatible Dimmers**

**Wall Box**

Lutron “Diva” - DTVT with PP-120H Interface	Leviton Renoir II 0-10V
---	-------------------------

**Central System**

Lutron Grafik Eye with GRX-TV1 Interface
--

**Notes:**

\* Driver is 277V dimmable with appropriate dimmer (by others). All provided wiring diagrams show 120V wiring colors and method. Please refer to 277V dimming installation instructions for 277V wiring diagrams.