

SPEQ -S

Small Cylinder Track Head



Features

Designed to let the interior design and not the lighting take center stage, the SPEQ track head from Amerlux balances clean, minimal aesthetic design with industry leading optical performance. The fixture has no visible heat sink or venting and has snoot perfectly matched to provide excellent glare control while maintaining the clean fixture lines. The integral driver is fully featured with low end dimming and full 2.5 KV surge protection (not a lamp driver!) Perfect for Galleries, Retail and Commercial interiors SPEQ uses high end optical designs to ensure your space is lit perfectly and efficiently.

Product Overview

Type:	Track Accent & Display
Wattage:	9W, 15W
Lumen Output:	1,310 max (15W, Spot optic), 89.5 lm/W
CBCP:	9,393 max (15W, Spot optic)
Color Temp:	2200K, 2700K, 3000K, 3500K, 4000K
CRI:	83 typ. & 90+ typ. CrispWhite & 3K Class A LED's available
Dimming:	TRIAC & ELV (120V) - 5% Dim

PROJECT:

TYPE:

Fixture Summary *(see following pages for more information)*

Performance Chart

Nominal Watts	Delivered Lumens	LPW	CBCP	Color Temp
9	812	91	5,824	3000K-83
15	1,310	89.5	9,393	3000K-83

Data is based on 3000K-83 IES files available on website.

Data is based on Spot optic.

Electrical Data

	9W		15W	
	System Watts	Amps	System Watts	Amps
120V	9	0.08	15	0.13
277V	N/A	N/A	N/A	N/A

Electronic constant current LED driver



SPEQ-S

Small Cylinder Track Head



PROJECT:

TYPE:

Ordering Information

SPEQ-S-A17					120				LE/TE
1	2	3	4	5	6	7	8	9	

- 1** Model
SPEQ-S-A17[†]
- 2** Wattage
9
15
- 3** Finish
WT - white texture
BT - black texture
ST - silver texture
Other finishes, consult factory
- 4** Mounting
TN1 - Global 1cir/H-Style, 120V
TEK - Global 2cir/2neut, 120V
TN3 - Global 3cir, 120V
CT - J-Style, 120V
LOL - L-Style, 120V
B* - busway, 120V
C - canopy, 120V
CCL2-SCP - C-clamp, black, with straight cord**, 6'
CCL2-CCP - C-clamp, black, with coil cord**, 5'
Notes: *Black busway adapter used for ST finish
**Black cord used for BT & ST finish,
White cord used for WT finish
- 5** Voltage
120
- 6** Beam Spreads
SP - spot 15°
NF - narrow flood 22°
MFL - med flood 25°
FL - flood 28°
WF wide flood 45°
VWF - very wide flood 60°
LS - linear spread lens 60° x 10° (reduces # of accessories by 1, if applicable)
- 7** Color Temp
83 CRI: 90+ CRI:
27 - 2700K-83 229 - 2200K-90+ CRISP - CrispWhite
30 - 3000K-83 279 - 2700K-90+ 3CLA - 3K Class A
35 - 3500K-83 309 - 3000K-90+
40 - 4000K-83 359 - 3500K-90+
409 - 4000K-90+
- 8** Driver
LE/TE - TRIAC/ELV dimming, 120V only
- 9** Options/Accessories
(standard front door accepts up to 2 accessories)
SN - snoot (accepts up to 2 accessories or cross blade + 1 accessory)
HEX - hexcell louver
SOL - solite beam softening lens
CB - cross blade (requires snoot)

[†] The "A" refers to the sequential revision in a year and "xx" refers to the year of update. Updates coincide with improved performance while not changing the overall fixture aesthetic and are reflected in the published performance data. Please contact your Amerlux representative for explanations of changes.

SPEQ-S

Small Cylinder Track Head



PROJECT:

TYPE:

Specifications

Application

Retail, Museum, Gallery, Hospitality and Commercial accent and display lighting

Construction

Complete die-cast aluminum construction
No exposed wiring
Unique magnetic dual lock front door

Optical

Amerlux Designed TIR optical system
0-90° tilt, 360° rotation
Tilt indicating marks for common tilt positioning
Beam Spreads: Spot 15°, Narrow Flood 22°
Medium Flood 25°, Flood 28°, Wide Flood 45°
Very Wide Flood 60°, Linear Spread Lens 60° x 10°

LED

Color Temp Options:
2200K, 2700K, 3000K, 3500K, 4000K
CRI: 83 typ. (2700K, 3000K, 3500K, 4000K)
90+ typ. (2200K, 2700K, 3000K, 3500K, 4000K)
CrispWhite* and Class A** 3000K LEDs available
R9 Values: 11 (83 CRI), 55 (90+ CRI)
Binning: 3 MacAdam (SDCM)
Life: 50,000+ hrs, > 70% of initial lumens at 50,000 hrs

**CrispWhite: CrispWhite Technology delivers the warmth of colors expected from a high 90 CRI solution but also creates the natural crisp white color similar to CMH sources. It creates impactful lighting by revealing the richest whites and vibrant colors that pop.*

***Class A LED: Class A LED's have a CRI > 80 and a GAI > 80. CRI defines color "Naturalness" and GAI defines color "Saturation." Both being high delivers rich colors and pure whites.*

Electrical

Wattage: 9, 15
Electronic constant current LED driver, 120V input
This product complies with IEEE C62.41 for surge endurance up to 2.5KV. Amerlux® recommends using additional surge protection with this unit (supplied by others), surge and over voltage damage is not covered under warranty.

Driver

LE/TE - Leading Edge (Triac, Forward Phase) or Trailing Edge (ELV, Reverse Phase) autosensing driver dims down to less than 5% on most dimming system.
Driver rated for A/C voltage input +/- 10%
See dimming page for more information.

Finish

Powder coat paint.
Standard colors: White Texture, Black Texture, Silver Texture
Consult factory for custom RAL powder coat finishes

Mounting

Track, canopy, c-clamp and busway.
Note: Ceiling mounted track only

Certifications

Approved to UL standards as tested by CSA.
Intended for indoor use only.

Warranty

5 year limited warranty

SPEQ-S

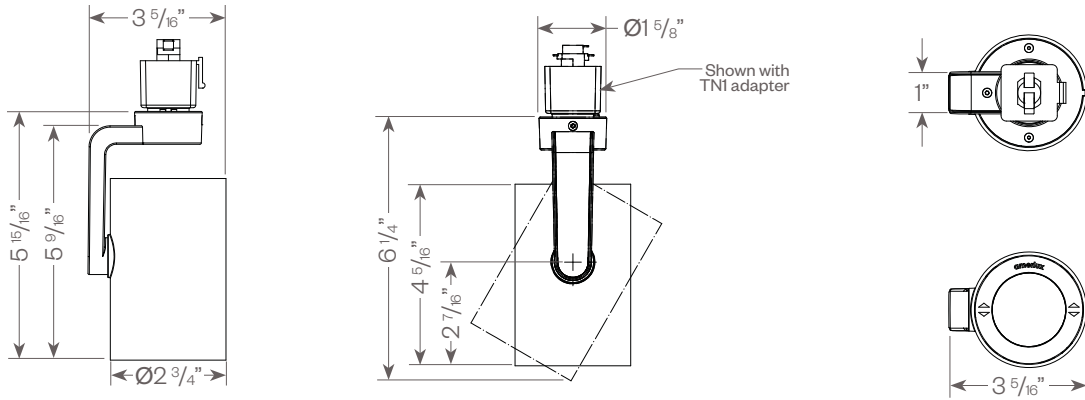
Small Cylinder Track Head



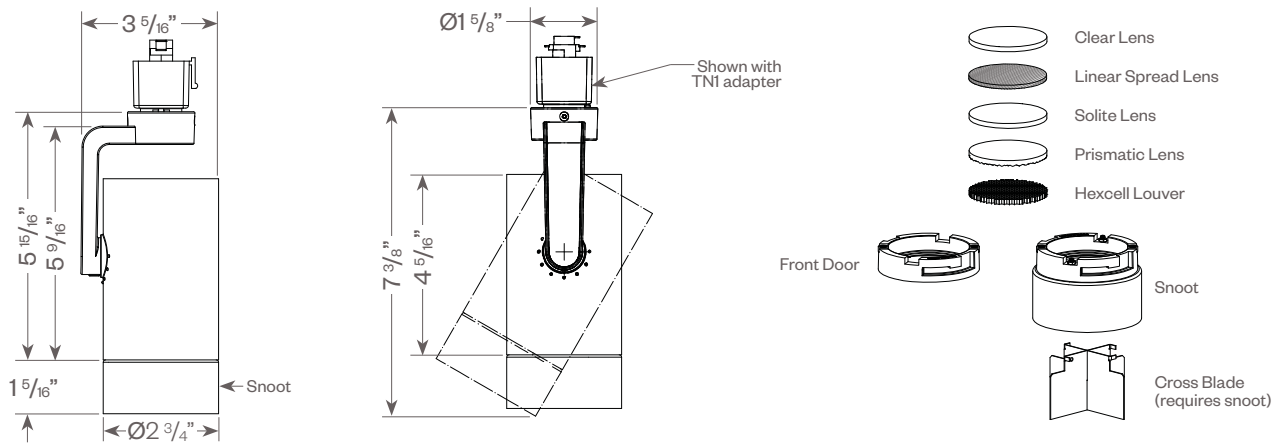
PROJECT:

TYPE:

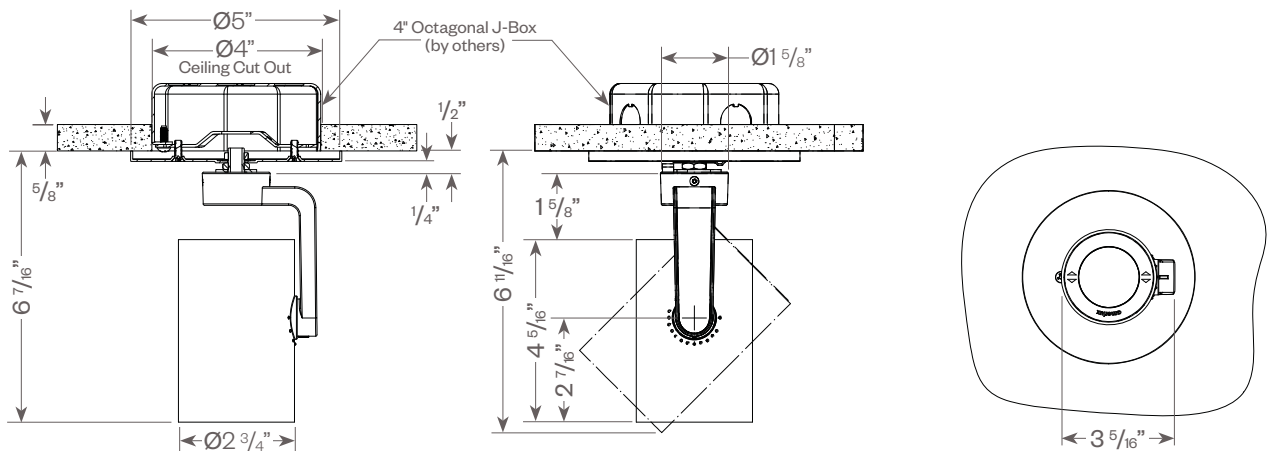
SPEQ-S



SPEQ-S SNOOT & ACCESSORIES



SPEQ-S CANOPY MOUNT



SPEQ-S

Small Cylinder Track Head



PROJECT:

TYPE:

FIXTURE DATA: (Complete photometric data (.ies format) available upon request)

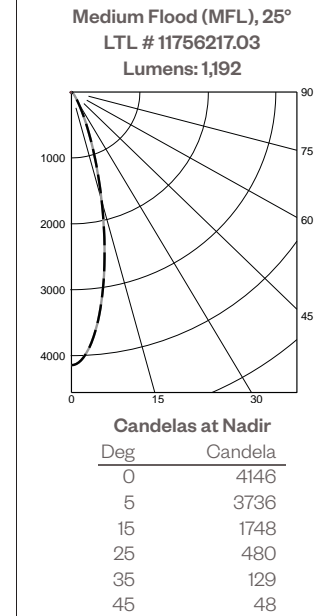
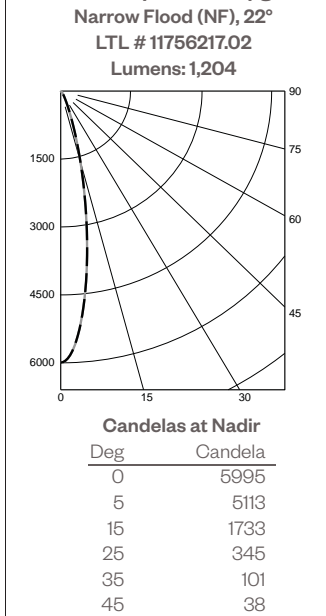
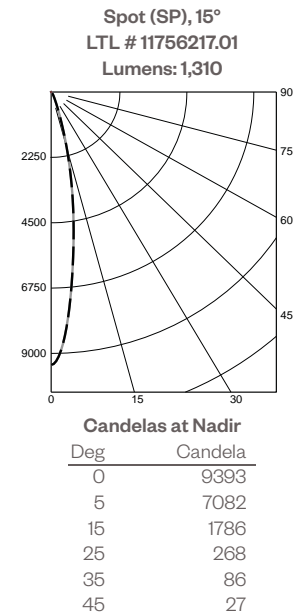
MULTIPLYING FACTORS: (Multiplying Factor is based on 3000K-83 120V IES file on website)

Wattage:	9W	15W
Factor:	0.62	1.0

CCT:	2700K-83	3000K-83	3500K-83	4000K-83
Factor:	0.96	1.0	1.02	1.04

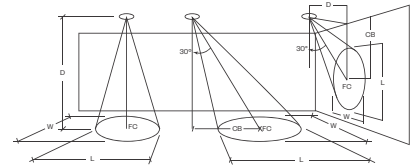
CCT:	2200K-90+	2700K-90+	3000K-90+	3500K-90+	CRISP	3CLA
Factor:	0.71	0.80	0.83	0.87	0.65	0.75

15W LED, 3000K (For FL, WF & VWF beam options see pg 6)



APPLICATION DATA:

Notes and Definitions:
 Beam spread is to 50% center beam candlepower (CBCP).
D=Distance to floor or wall.
FC=Footcandles on floor or wall at center beam aiming location.
L=Effective Visual Beam length in feet (50% of maximum footcandle level).
W=Effective Visual Beam width in feet (50% of maximum footcandle level).
CB=Distance across or down to center beam location.



	0° Aiming Angle Horizontal Footcandles				30° Aiming Angle Horizontal Footcandles					30° Aiming Angle Vertical Footcandles					60° Aiming Angle Vertical Footcandles				
	D	FC	L	W	D	FC	L	W	CB	D	FC	L	W	CB	D	FC	L	W	CB
SPOT	5.0'	375	1.5	1.5	5.0'	242	2.1	1.7	3.0	3.0'	141	3.3	1.8	5.0	3.0'	513	1.7	1.2	2.0
	7.5'	167	2.3	2.3	7.5'	108	3.1	2.7	4.0	4.0'	85	4.1	2.4	6.0	4.0'	364	1.7	1.4	2.0
	10.0'	94	3.1	3.1	10.0'	60	4.1	3.6	6.0	5.0'	53	5.2	3.0	8.0	5.0'	235	2.1	1.7	3.0
	12.5'	60	3.8	3.8	12.5'	40	5.0	4.4	7.0	6.0'	38	6.3	3.5	9.0	6.0'	162	2.6	2.2	3.0
NARROW FLOOD	5.0'	272	1.7	1.7	5.0'	155	2.5	2.2	3.0	3.0'	108	3.3	1.9	4.0	3.0'	353	1.9	1.3	2.0
	7.5'	116	2.8	2.8	7.5'	72	3.6	3.2	4.0	4.0'	59	4.6	2.8	6.0	4.0'	249	1.9	1.6	2.0
	10.0'	64	3.6	3.6	10.0'	40	4.8	4.3	5.0	5.0'	39	5.5	3.3	7.0	5.0'	151	2.5	2.2	3.0
	12.5'	41	4.6	4.6	12.5'	26	6.0	5.3	7.0	6.0'	27	6.9	4.0	8.0	6.0'	111	3.0	2.6	3.0
MEDIUM FLOOD	5.0'	166	2.3	2.3	5.0'	119	2.8	2.6	3.0	3.0'	83	3.6	2.4	4.0	3.0'	252	2.2	1.6	2.0
	7.5'	74	3.4	3.4	7.5'	54	4.1	3.7	4.0	4.0'	47	4.7	3.0	5.0	4.0'	177	2.3	2.0	2.0
	10.0'	42	4.5	4.5	10.0'	30	5.5	5.0	5.0	5.0'	30	6.0	3.8	6.0	5.0'	105	3.0	2.7	3.0
	12.5'	27	5.6	5.6	12.5'	19	7.0	6.3	6.0	6.0'	21	7.4	4.7	8.0	6.0'	79	3.5	3.1	3.0

SPEQ-S

Small Cylinder Track Head



PROJECT:

TYPE:

FIXTURE DATA: (Complete photometric data (.ies format) available upon request)

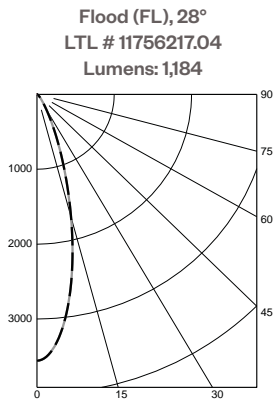
MULTIPLYING FACTORS: (Multiplying Factor is based on 3000K-83 120V IES file on website)

Wattage:	9W	15W
Factor:	0.62	1.0

CCT:	2700K-83	3000K-83	3500K-83	4000K-83
Factor:	0.96	1.0	1.02	1.04

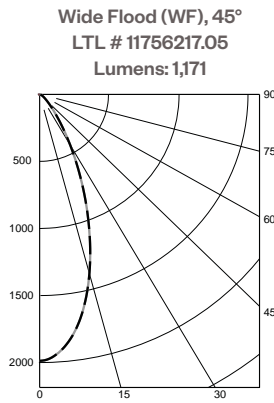
CCT:	2200K-90+	2700K-90+	3000K-90+	3500K-90+	CRISP	3CLA
Factor:	0.71	0.80	0.83	0.87	0.65	0.75

15W LED, 3000K (For SP, NF & MFL beam options see pg 5)



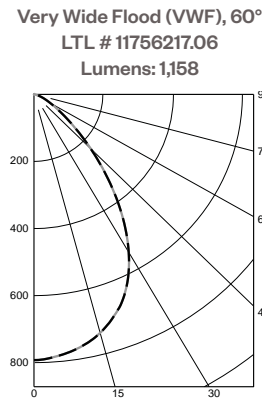
Candelas at Nadir

Deg	Candela
0	3558
5	3263
15	1717
25	539
35	144
45	51



Candelas at Nadir

Deg	Candela
0	1987
5	1904
15	1378
25	702
35	259
45	88



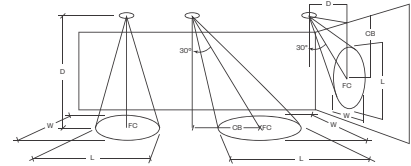
Candelas at Nadir

Deg	Candela
0	792
5	783
15	735
25	629
35	440
45	231

APPLICATION DATA:

Notes and Definitions:

- Beam spread is to 50% center beam candlepower (CBCP).
- D=Distance to floor or wall.
- FC=Footcandles on floor or wall at center beam aiming location.
- L=Effective Visual Beam length in feet (50% of maximum footcandle level).
- W=Effective Visual Beam width in feet (50% of maximum footcandle level).
- CB=Distance across or down to center beam location.



	0° Aiming Angle Horizontal Footcandles				30° Aiming Angle Horizontal Footcandles					30° Aiming Angle Vertical Footcandles					60° Aiming Angle Vertical Footcandles				
	D	FC	L	W	D	FC	L	W	CB	D	FC	L	W	CB	D	FC	L	W	CB
FLOOD	5.0'	143	2.5	2.5	5.0'	119	2.8	2.6	3.0	3.0'	73	3.6	2.6	4.0	3.0'	219	2.3	1.7	1.0
	7.5'	64	3.6	3.6	7.5'	54	4.1	3.7	4.0	4.0'	43	4.8	3.3	5.0	4.0'	154	2.5	2.3	2.0
	10.0'	36	4.9	4.9	10.0'	30	5.5	4.9	5.0	5.0'	28	6.1	4.0	6.0	5.0'	92	3.3	2.9	2.0
	12.5'	23	6.1	6.1	12.5'	19	7.0	6.3	6.0	6.0'	19	7.5	4.9	7.0	6.0'	69	3.7	3.4	3.0
WIDE FLOOD	5.0'	80	3.3	3.3	5.0'	57	3.9	3.6	2.0	3.0'	55	3.8	2.9	3.0	3.0'	154	2.4	2.1	1.0
	7.5'	36	5.0	5.0	7.5'	26	5.9	5.4	3.0	4.0'	31	4.9	3.8	4.0	4.0'	88	3.3	3.0	2.0
	10.0'	20	6.6	6.6	10.0'	14	7.8	7.3	4.0	5.0'	20	6.3	4.9	5.0	5.0'	58	4.0	3.6	2.0
	12.5'	13	8.3	8.3	12.5'	9	9.9	9.2	5.0	6.0'	14	7.6	5.8	6.0	6.0'	40	4.9	4.5	3.0
VERY WIDE FLOOD	5.0'	32	5.4	5.4	5.0'	27	5.1	5.5	1.0	3.0'	40	3.4	3.5	2.0	3.0'	73	3.2	3.4	1.0
	7.5'	14	8.1	8.1	7.5'	12	7.9	8.3	2.0	4.0'	22	4.6	5.0	2.0	4.0'	43	4.2	4.3	1.0
	10.0'	8	10.9	10.9	10.0'	7	9.4	10.0	2.0	5.0'	15	5.5	6.0	3.0	5.0'	28	5.3	5.4	1.0
	12.5'	5	14.1	14.1	12.5'	5	13.9	14.6	3.0	6.0'	10	6.8	7.4	4.0	6.0'	19	6.3	6.7	1.0

SPEQ-S

Small Cylinder Track Head



PROJECT:

TYPE:

DIMMING COMPATIBILITY:

Amerlux® Speq fixtures are compatible with all major dimming protocols prevalent in the United States. Please see below for general compatibilities and wiring diagrams. Amerlux recommends testing your unique dimming configuration as the exact full configuration (Dimmer, Fixture Quantity, Voltage, etc) may affect dimming performance.

--- NOTE: INFORMATION BELOW IS FOR WIRED DIMMERS ONLY. FOR WIRELESS DIMMERS, CONSULT FACTORY ---

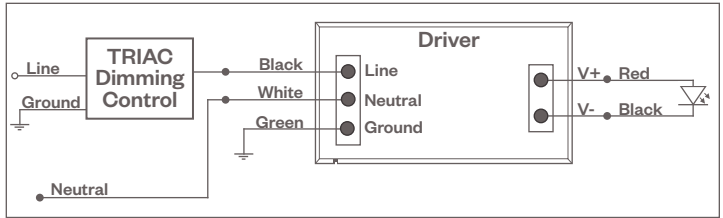
TRIAC (Forward Phase) DIMMING (Standard)

Utilizes “Standard” incandescent dimmers that are in wide use in installations across the US .

Notes:

- 120V only
- Dims down to less than 5% light output (most cases)
- Consult Dimming manufacturer for installation instructions - DO NOT SHARE NEUTRALS!
- Must meet dimmer Minimum Load Requirements per dimming manufacturer

TRIAC Wiring Diagram



Compatible Dimmers

Wall Box (Incandescent Style, Wattage as required)

Lutron “Diva”	Lutron “Vareo”
Lutron “Nova-T”	Lutron “Skylark”
Lutron “Maestro”	

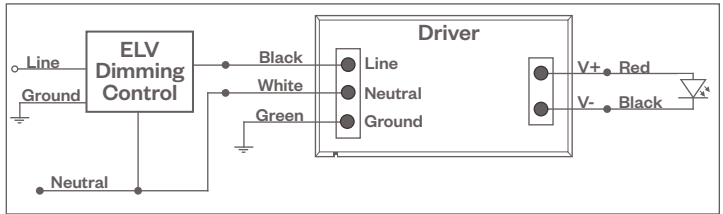
ELV - Electronic Low Voltage (Reverse Phase) DIMMING (Standard)

Utilizes specialized “ELV” dimmers.

Notes:

- 120V only
- Dims down to less than 5% light output (most cases)
- Consult Dimming manufacturer for installation instructions - DO NOT SHARE NEUTRALS!
- Must meet dimmer Minimum Load Requirements per dimming manufacturer

ELV Wiring Diagram



Compatible Dimmers

Wall Box (ELV Style)

Lutron “Diva”	Lutron “Vareo”
Lutron “Nova-T”	Lutron “Skylark”
Lutron “Maestro”	
Leviton “Surslide”	Leviton “Vizio”