

High Bay 202 Pendant

60W



Base Unit

Features

Designed for open ceiling concepts for retail and supermarket lighting applications, this LED high-bay fixture features flexibility and aesthetics. Your choice of mounting options and shielding with either a prismatic refractor for higher vertical illumination or aluminum reflectors, that deliver a more controlled beam of light, free from glare. The high CRI LED promises excellent color rendering which, is critical for the "fresh" product within the supermarket as well as distinguishing colors in retail. 0-10V dimming (standard) and choice of wired or independent occupancy or daylight controls help maximize your energy savings.

Product Overview

Type:	Round Pendant
Wattage:	60W
Lumen Output:	6600 lm
Color Temp:	3000K, 3500K
CRI:	90+ typ.
Dimming:	0-10V - 10% Dim

PROJECT:

TYPE:



Base Unit with 60° reflector



Base Unit with 70° refractor

Performance Chart

Watts	Delivered Lumens	LPW	Color Temp
60	6,300	105	3000K-90+
	6,600	110	3500K-90+

Electrical Data

	60W	
	System Watts	Amps
120V	60	0.50
277V	60	0.22

Electronic constant current LED driver



High Bay 202 Pendant

60W



PROJECT:

TYPE:

Ordering Information

Note: High Bays are configured ala carte with base unit, shielding and mounting elements ordered separately for field final installation.

Model: _____
1

Mounting: _____
2

Shielding: _____
3

Control: _____
4

- 1** Model
202-2100-01 - 60W, 3000K, 90CR, 120° opal color lens with 3' supply cord and 3' control cord, 0-10V dimmable driver, 120V-277V, black finish
202-2100-02 - 60W, 3500K, 90CR, 120° opal color lens with 3' supply cord and 3' control cord, 0-10V dimmable driver, 120V-277V, black finish

- 2** Mounting (ordered separately)
202-2105 - stainless steel eyelet
202-2106 - stainless steel buckle (requires eyelet)
CS48W-2100 - canopy with 48" field cuttable stem (3/8 NPS), white texture
CS48B-2100 - canopy with 48" field cuttable stem (3/8 NPS), black texture

- 3** Shielding (ordered separately).
202-2102 - 12" 60° aluminum reflector
202-2103 - 12" 70° PC refractor

- 4** Control (ordered separately)
Fixture comes with 0-10V driver and low voltage dimming lead cord that can be wired to building system or for independant control of an individual fixture order this field settable/installable independant control.
202-2109 - independant daylight and motion sensor (requires refractor or reflector to be attached)

High Bay 202 Pendant

60W



PROJECT:

TYPE:

Specifications - Base Unit

Application

Retail and supermarket ambient and display lighting

Construction

Die-cast aluminum heat sink and driver enclosure
Formed sheet metal and junction box (junction box for stem mount only)
IP 65 gasketed optic and driver chambers
PC opal lens shields direct source view
36" input wire lead attached
36" dimming wire lead attached

Optical

Beam Spread Options:

Base Unit with 120° opal lens
Base Unit with PC Refractor, 70°
Base Unit with Aluminum Reflector, 60°
(Refractor/Reflector ordered separately)

LED

Color Temp Options:

3000K, 3500K
CRI: 90+ typ. (3000K, 3500K)
R9 Values: 55 (92 CRI)
Binning: 3 MacAdam (SDCM)
Life: 50,000+ hrs, > 70% of initial lumens at 50,000 hrs

Electrical

Wattage: 60

Electronic constant current LED driver, 120V or 277V input

This product complies with IEEE C62.41 for surge endurance up to 2.5KV. Amerlux® recommends using additional surge protection with this unit (supplied by others), surge and over voltage damage is not covered under warranty.

Drivers

0-10V dimming, 10%

Finish

Powder coat paint for stem mount only
Consult factory for custom finishes

Mounting (ordered separately)

Eyelet, buckle, canopy/stem mounting

Certifications

UL listed
Indoor use only
IP65

Warranty

5 year limited warranty

High Bay 202 Pendant

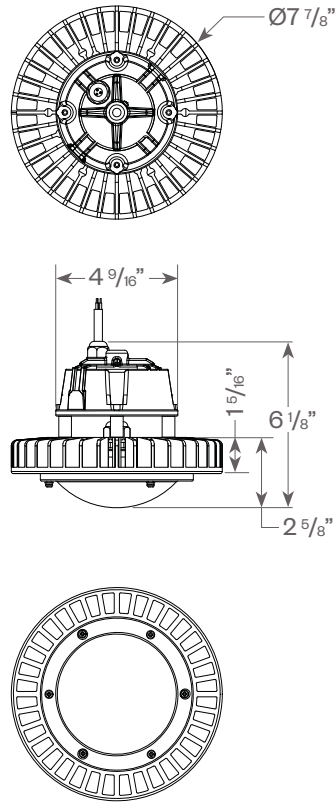
60W



PROJECT:

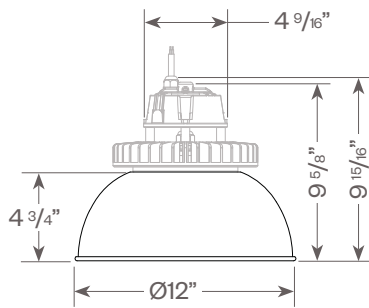
TYPE:

Base Unit



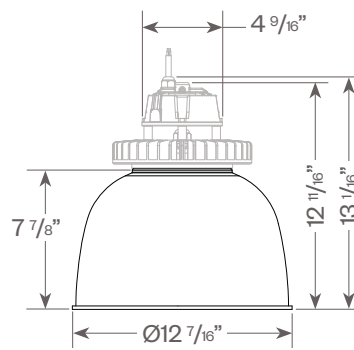
Base Unit with 60° Reflector

Base Unit shown for reference only, Reflector ordered separately.



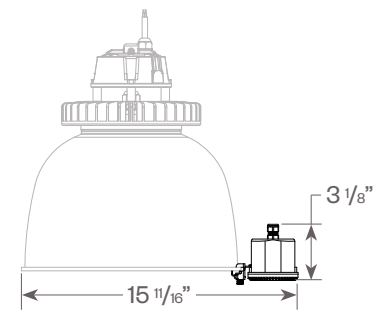
Base Unit with 70° Refractor

Base Unit shown for reference only, Refractor ordered separately.



Independent Control

Base Unit with 70° Refractor shown for reference only, Control ordered separately.



High Bay 202 Pendant

60W

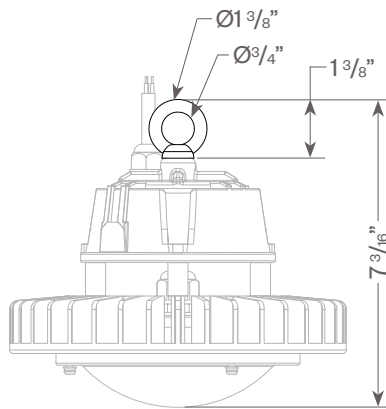


PROJECT:

TYPE:

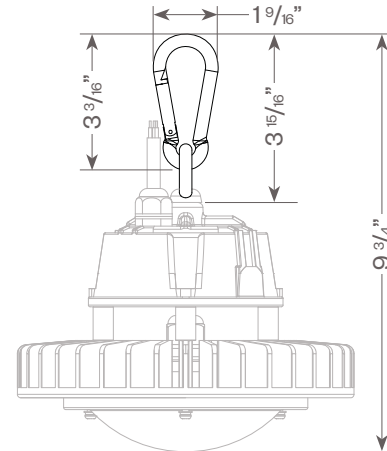
Eyelet Mounting

Fixture shown for reference, Eyelet ordered separately.



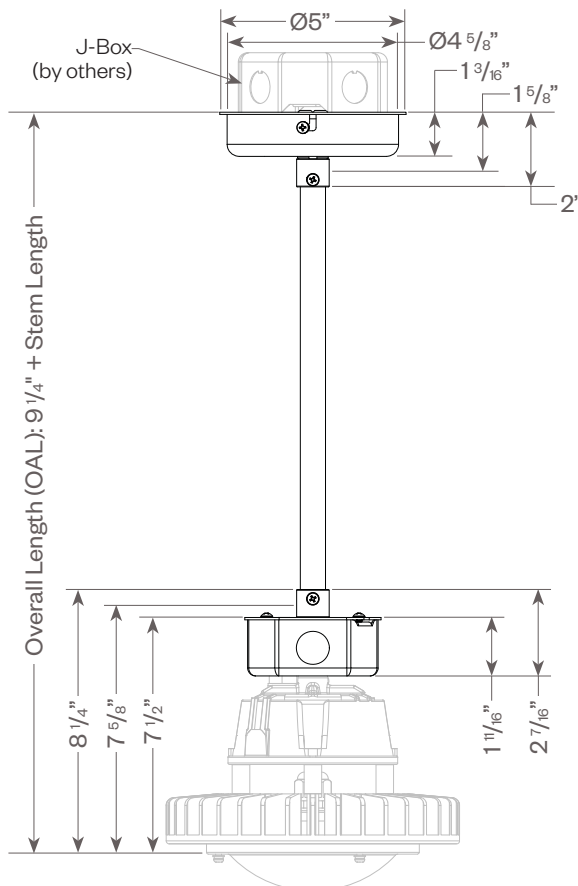
Buckle Mounting (requires eyelet)

Fixture shown for reference, Buckle & eyelet ordered separately.



Stem Mounting (CS48X-2100 is field cuttable)

Fixture shown for reference, Stem/Canopy ordered separately.



High Bay 202 Pendant

60W

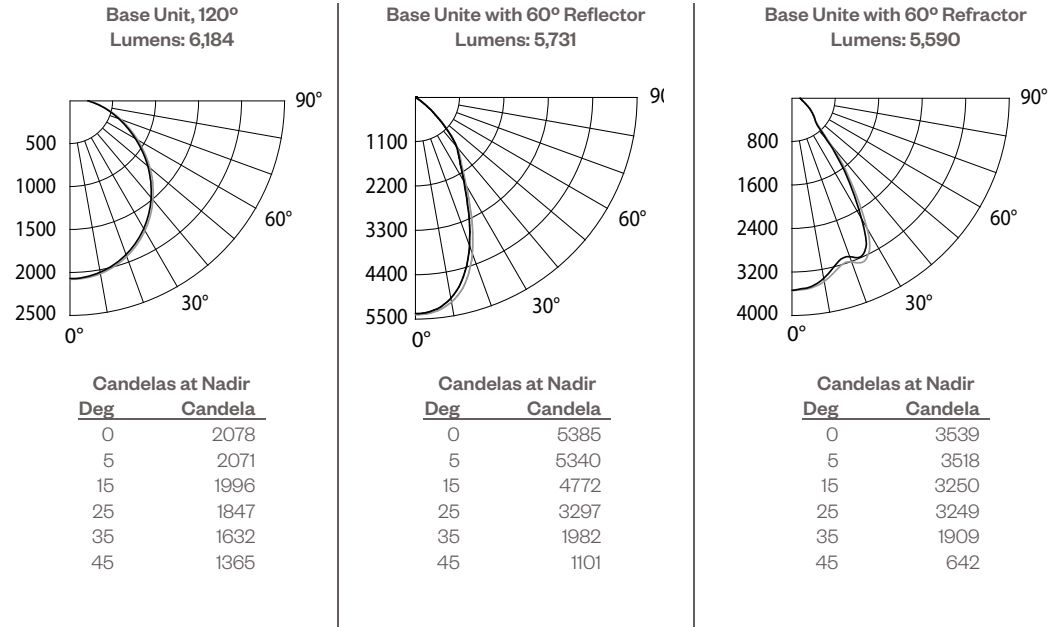


PROJECT:

TYPE:

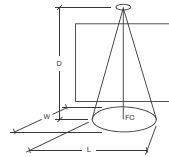
FIXTURE DATA: (Complete photometric data (.ies format) available upon request)

60W LED, 3000K-83



Application Data:

	0° Aiming Angle Horizontal Footcandles			
	D	FC	L	W
Base Unit, 120°	7.5'	37	9.5	9.5
	10.0'	21	12.5	12.5
	12.5'	14	15.7	15.7
	15.0'	9	19.0	19.0
Base Unit with 60° Reflector	7.5'	96	6.6	6.6
	10.0'	54	8.8	8.8
	12.5'	35	10.9	10.9
	15.0'	24	13.2	13.2
Base Unit with 70° Refractor	7.5'	63	8.7	8.7
	10.0'	36	11.2	11.2
	12.5'	23	14.1	14.1
	15.0'	16	17.3	17.3



Notes and Definitions:

- Beam spread is to 50% center beam candlepower (CBCP).
- D**=Distance to floor or wall.
- FC**=Footcandles on floor or wall at center beam aiming location.
- L**=Effective Visual Beam length in feet (50% of maximum footcandle level).
- W**=Effective Visual Beam width in feet (50% of maximum footcandle level).
- CB**=Distance across or down to center beam location.

High Bay 202 Pendant

60W

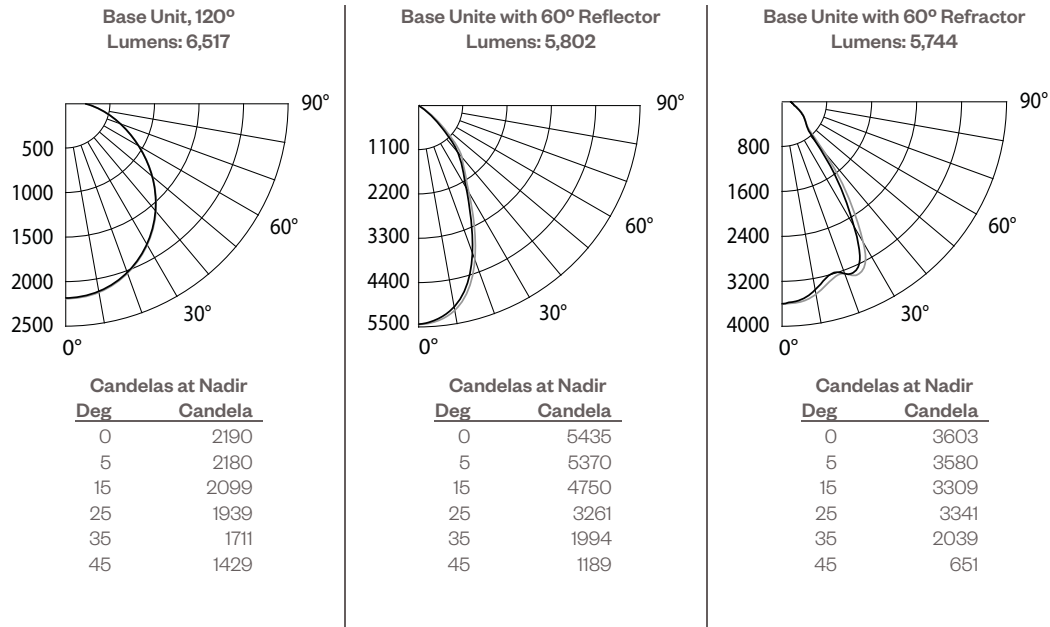


PROJECT:

TYPE:

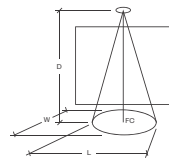
FIXTURE DATA: (Complete photometric data (.ies format) available upon request)

60W LED, 3500K-83



Application Data:

	0° Aiming Angle Horizontal Footcandles			
	D	FC	L	W
Base Unit, 120°	7.5'	39	9.5	9.5
	10.0'	22	12.6	12.6
	12.5'	14	15.7	15.7
	15.0'	10	19.0	19.0
Base Unit with 60° Reflector	7.5'	97	6.7	6.7
	10.0'	55	8.9	8.9
	12.5'	35	11.0	11.0
	15.0'	24	13.3	13.3
Base Unit with 70° Refractor	7.5'	64	8.8	8.8
	10.0'	36	11.6	11.6
	12.5'	23	14.4	14.4
	15.0'	16	17.4	17.4



Notes and Definitions:

Beam spread is to 50% center beam candlepower (CBCP).

D=Distance to floor or wall.

FC=Footcandles on floor or wall at center beam aiming location.

L=Effective Visual Beam length in feet (50% of maximum footcandle level).

W=Effective Visual Beam width in feet (50% of maximum footcandle level).

CB=Distance across or down to center beam location.